

10-647178-001

SHEET 1 OF 1

A

C

B

A

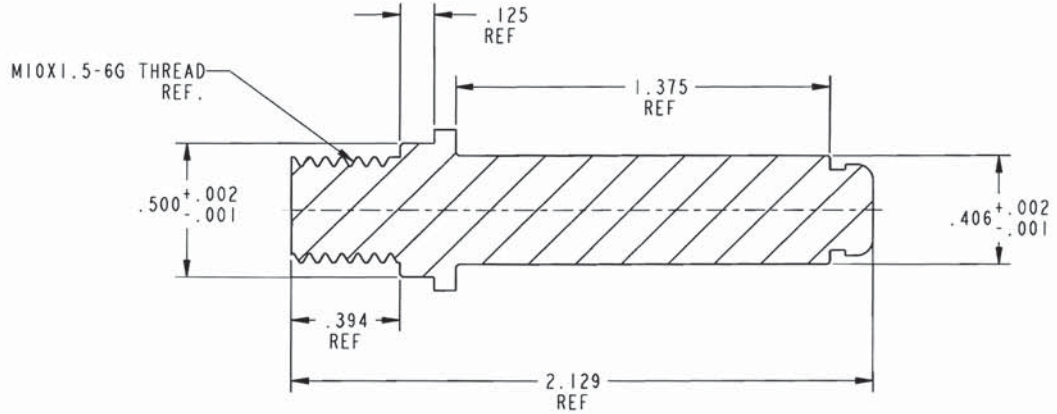
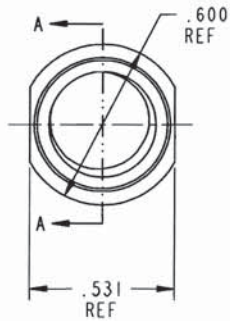


SCALE 1.000

PART NUMBER	FINISH
10-647178-001	SILVER PER 9-6800-1
10-647178-004	NICKEL PER 9-885
10-647178-005	GOLD PER 9-6800-5

10-647178-001		
REVISIONS		
LTR	DESCRIPTION	DATE
A	INITIAL RELEASE	

Handwritten signature
12/07/08



ORIGINAL COPY (正宗原版)
20 JUL 2012
DOCUMENT CONTROL

SECTION A-A

- 3) PLATED PIN IS MADE FROM 10-647178-00B
- 2) THE REFERENCED MATERIAL SHALL BE CERTIFIED COMPLIANT TO THE 2002/95/EC RoHS DIRECTIVE AS AMENDED PER 2005/516/EC.
- 1) APPROX. SURFACE AREA: 3.502 SQ. IN. (2259.35 SQ. MM.)

NOTES:

THE USE OF THIS DOCUMENT IS UNLIMITED. HOWEVER, DOCUMENTS REFERENCED HEREON MAY CONTAIN LIMITED RIGHTS DATA.

PRO/ENGINEER INFORMATION	
N/A	Proj Model Used: 10-647178-000.PART
N/A	Drawing Name: 10-647178-000
N/A	NEXT ASSEMBLY

UNLESS OTHERWISE SPECIFIED	SPECIFICATIONS	POS	QTY	PART NUMBER	DESCRIPTION	NOTE
LINEAR DIMENSIONS ARE IN INCHES TOLERANCES: .XXXX = ±.0005 ANGLES = ±2° .XXX = ±.010 .XX = ±.03 .X = ±.1 DIM. & TOL. PER ASME Y14.5M; DRW PER MIL-DTL-31000; OTHER Ampheno! Sds. PER 9-3800 LEGENDS: ◻ FLAG NOTE CALL OUT REFERENCE ONLY	MATERIAL SPEC. N/A PROCESS SPEC. SEE TABLE				PARTS LIST AMPHENOL CORPORATION 4440 WILLOW AVENUE BOSTON, MA 02124 10.3MM RADSOK SURLOK PIN	
APPROVALS PREPARED BY: DERIC LI ENGINEER IN CHARGE: J. SANDBURG DESIGN MANAGER: J. SANDBURG DESIGN ACTIVITY GROUP: C&I		DATE: 25-Jul-08		THIRD ANGLE PROJECTION		
PARTS LIST ITEM: C QUANTITY: 77820 PART NUMBER: 10-647178-00() SCALE: 3.0 REF: 10-647177-00()		SHEET 1 OF 1		REV: A		

10-647178-001 SHEET 1 OF 1 A

X-ON Electronics

Largest Supplier of Electrical and Electronic Components

Click to view similar products for [Terminals](#) category:

Click to view products by [Amphenol](#) manufacturer:

Other Similar products are found below :

[00-054007-01074-6](#) [00-054007-70206-1](#) [00-054007-70210-8](#) [00-054007-70217-7](#) [00-054007-70226-9](#) [00-054007-70228-3](#) [00-054007-70248-1](#) [00-054007-70256-6](#) [00-054007-70301-3](#) [00-054007-70316-7](#) [00-054007-49560-4](#) [00-054007-70209-2](#) [00-054007-70225-2](#) [00-054007-70227-6](#) [00-054007-70231-3](#) [00-054007-70241-2](#) [00-054007-70242-9](#) [00-054007-70244-3](#) [00-054007-70246-7](#) [00-054007-70263-4](#) [00-054007-70288-7](#) [00-054007-70290-0](#) [00-054007-70300-6](#) [00-054007-70304-4](#) [01-2065-1-0216](#) [01-2900-1-04412](#) [00581P0075](#) [600TS-10](#) [60205-1](#) [604200-1](#) [605601-1](#) [60598-1-CUT-TAPE](#) [61314-6-C](#) [61810-3](#) [61-S](#) [62149-1](#) [626-0194](#) [62-NBM-A](#) [62-SN](#) [62-SP](#) [640179-1](#) [M55155/059I03](#) [M55155/079C01](#) [M55155/099H02](#) [M55155/109H01](#) [M55155/109H02](#) [M55155/12XH05](#) [M55155/16XH02](#) [M55155/29-5S](#) [M55155/29XJ08](#)