

NOTES:

1. MATERIAL AND FINISH

BODY BRASS, GOLD PLATING  
 CONTACT PIN BRASS, GOLD PLATING  
 INSULATOR PEEK, NATURAL

2. ELECTRICAL:

A. IMPEDANCE: 50 OHM  
 B. FREQUENCY RANGE: DC-10 GHz  
 C. INSULATION RESISTANCE: 5 GOHM MIN.  
 D. DIELECTRIC WITHSTANDING VOLTAGE: 1000 VRMS. MIN.

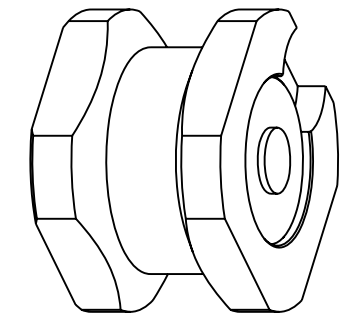
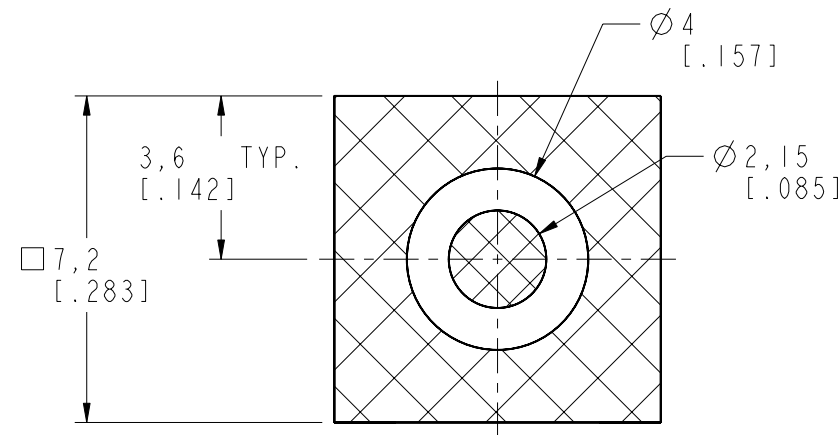
3. MECHANICAL:

A. MATING CYCLES: 100 MIN.  
 B. TEMPERATURE RANGE: -65°C TO +165°C

THIRD ANGLE PROJ.

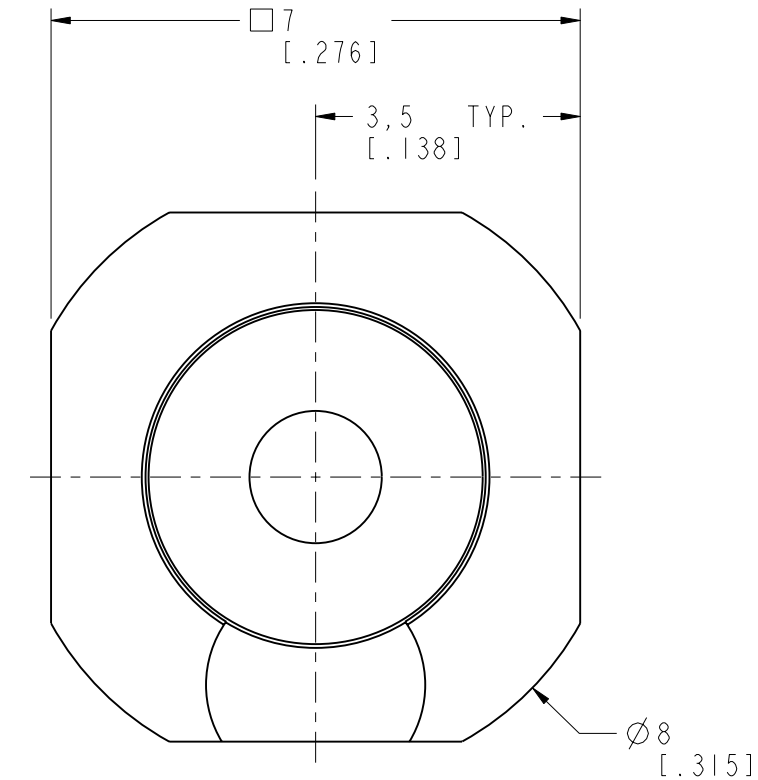
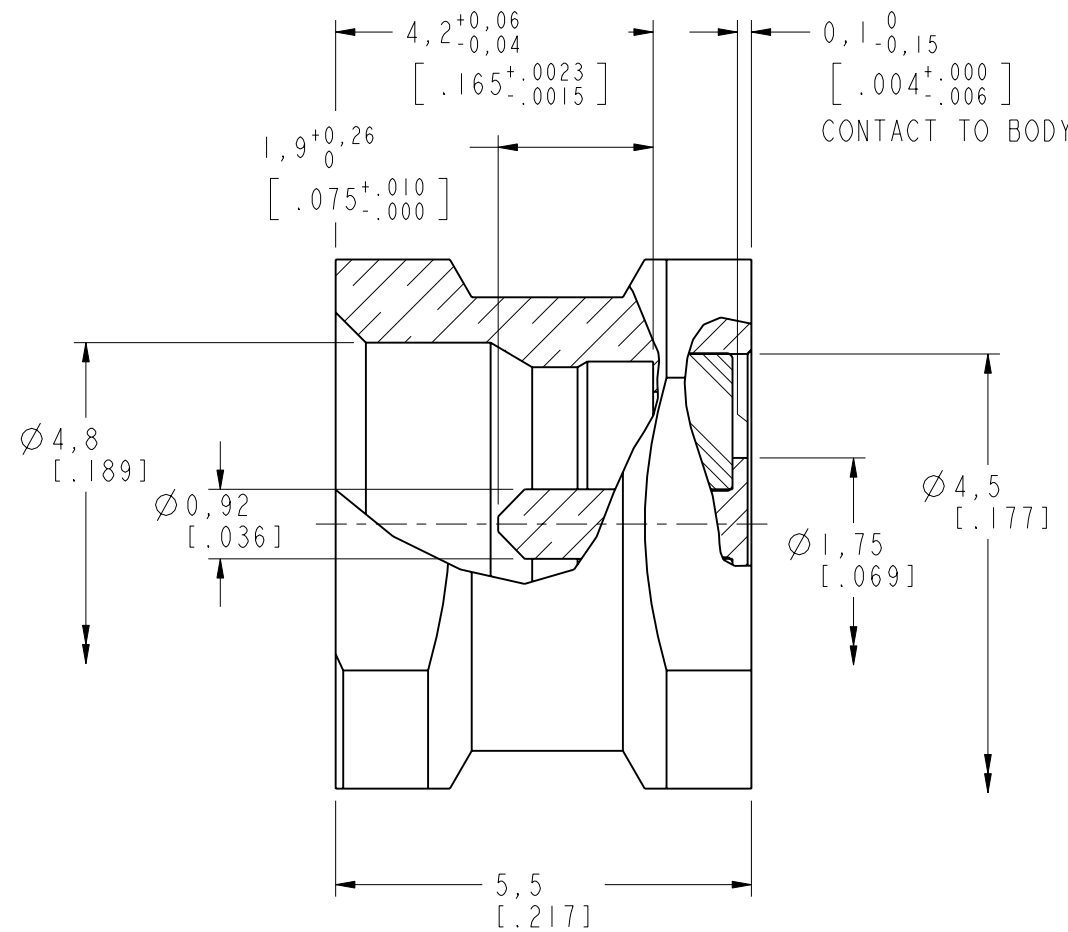
REVISIONS

REV	DESCRIPTION	DATE	ECO	APPR
A	RELEASE TO MFG., ADDED PART NO. PSMP-MSLD-PCS	15-Dec-15	50842	BCG



SCALE 5.000

RECOMMENDED PCB PAD LAYOUT



**CUSTOMER OUTLINE DRAWING**

ALL OTHER SHEETS ARE FOR INTERNAL USE ONLY

UNLESS OTHERWISE SPECIFIED, DIMENSIONS ARE IN METRIC AND TOLERANCES ARE: <0.5mm ±0.05mm    0.5 - 6mm ±0.1mm    6 - 30mm ±0.2mm    30 - 120mm ±0.3mm    ANGLES ±1°	MATERIAL	DRAWN A. YAN	DATE 15-Dec-15	TITLE PSMP, MALE, LIMITED DETENT	Amphenol RF www.amphenolrf.com	
	REFERENCE EAR 5996 ALU PN: 1AB381080002 RSBG PN: 119S101-40ML5	ENGINEER R. CHEN	DATE 15-Dec-15			DRAWING NO. PSMP1251E1-001-8GPAP8GPA-50
NOTICE - These drawings, specifications, or other data (1) are, and remain the property of Amphenol corp. (2) must be returned upon request; and (3) are confidential and not to be disclosed to any person other than those to whom they are given by Amphenol Corp. the furnishing of these drawings, specifications, or other data by Amphenol Corp., or to any other person to anyone for any purpose is not to be regarded by implication or otherwise in any manner licensing, granting rights to permitting such holder or any other person to manufacture, use or sell any product, process or design, patented or otherwise, that may in any way be related to or disclosed by said drawings, specifications, or other data.	FINISH	APPROVED S. HSIEH	DATE 17-Dec-15	SCALE: 10.0:1.0 SHEET 2 OF 2	ITEM NO. 671251ABJAI2C5F	
		CAD FILE		DWG SIZE B	REV A	PART NO. PSMP-MSLD-PCS

## X-ON Electronics

Largest Supplier of Electrical and Electronic Components

*Click to view similar products for [RF Connectors / Coaxial Connectors](#) category:*

*Click to view products by [Amphenol](#) manufacturer:*

Other Similar products are found below :

[8915-1511-000](#) [89674-0827](#) [6001-7071-019](#) [6002-7051-003](#) [6002-7551-202](#) [6059674-1](#) [619550-1](#) [630059-000](#) [M39030/3-01N](#) [M3933/25-36N](#) [6500-7071-046](#) [6769](#) [CX050L2AQ](#) [7002-1542-011](#) [7004-1512-000](#) [7009-1511-004](#) [7010-1511-000](#) [7029-1511-060](#) [7101-1541-010](#) [7101-1571-002](#) [7105-1521-002](#) [7145-1521-002](#) [7203-1571-003](#) [7209-1511-011](#) [7210-1511-015](#) [7210-1511-019](#) [73137-5015](#) [73216-2241](#) [7325-1512-000](#) [73404-2300](#) [7405-1521-005](#) [7405-1521-802](#) [7406-1521-005](#) [8527](#) [8547](#) [FS11V](#) [8808-1511-001](#) [9049-9513-000](#) [9074-9513-000](#) [9101-9573-002](#) [910A205F](#) [9130-9573-002](#) [PL11SC-026](#) [PL375-33](#) [PL40-5](#) [PL71-9](#) [PL74C-221](#) [PL75MC-217](#) [PL803-7](#) [980-8666-005](#)