

NOTES:

1. MATERIALS AND FINISHES:

BODY - BRASS, GOLD PL. .000008"[0.2um] THICK OVER PHOSPHORUS CONTENT 9%~13% ELECTROLESS
 NICKEL PL. .000100"[2.5um] THICK OVER MIN PL..000025"[0.64um] COPPER.
 CONTACT - BRASS, GOLD PL. .000008"[0.2um] THICK OVER PHOSPHORUS CONTENT 9%~13% ELECTROLESS
 NICKEL PL. .000100"[2.5um] THICK OVER MIN PL..000025"[0.64um] COPPER.
 INSULATOR - PEEK

2. ELECTRICAL:

- A. IMPEDANCE: 50 OHM
- B. FREQUENCY RANGE: DC-10 GHz
- C. RETURN LOSS: 30 dB MIN.@ DC-4 GHz
25 dB MIN.@ 4-6 GHz
- D. INSERTION LOSS: $0.03X\sqrt{f(\text{GHz})}$ dB MAX.
- E. INSULATION RESISTANCE: 5 GΩ MIN.
- F. DIELECTRIC WITHSTANDING VOLTAGE: 1000 VRMS MIN.
- G. POWER HANDLING: 200 W MAX.@ 2.2 GHz AT 20°C, SEA LEVEL, VSWR 1.0
- H. INTERMODULATION(3rd order): 160 dBc MIN.@ (2X43dBm)

3. MECHANICAL:

- A. MATING CYCLES: 100 MIN.
- B. ENGAGEMENT FORCE: 10 N MAX
- C. DISENGAGEMENT FORCE: 2.2 N MIN
- D. INNER CONTACT RETENTION FORCE: 7 N MIN
- E. TEMPERATURE RANGE: -65° C TO 165° C

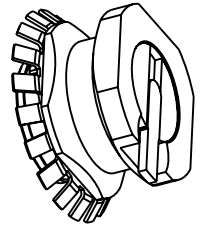
4. ALLOWABLE COMPRESSION OF EMI RING: 0.4 MM MAX.

5. ALL MATERIALS MUST BE "RoHS" COMPLIANT.

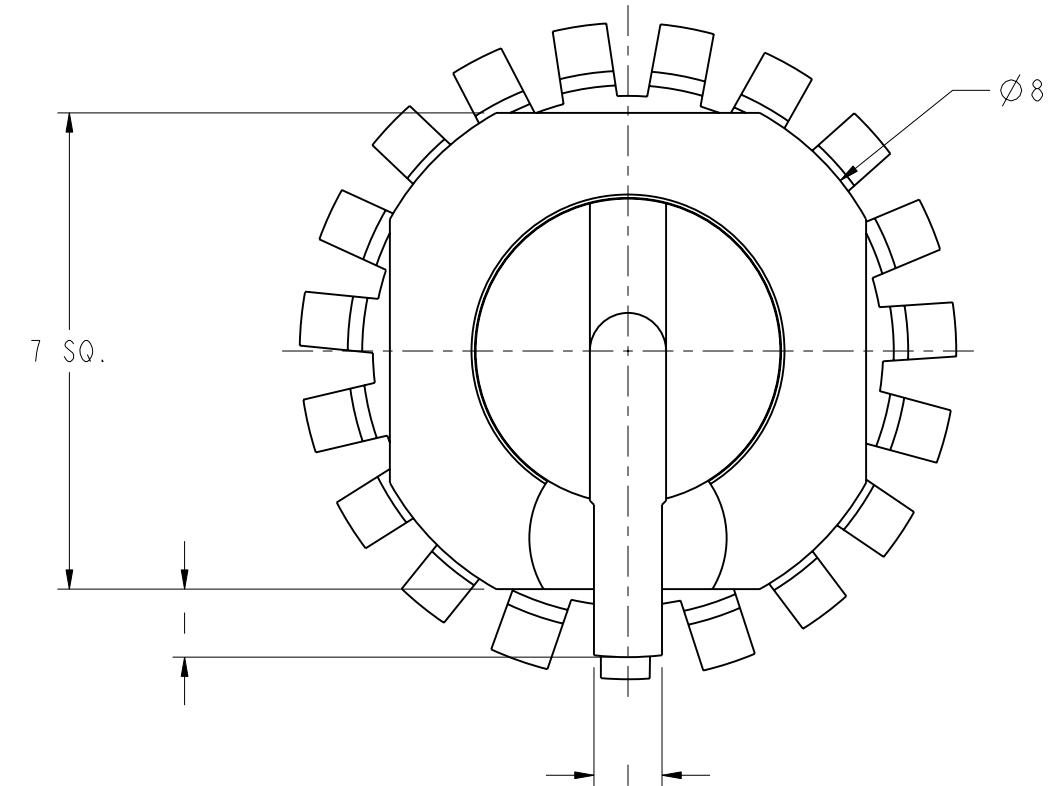
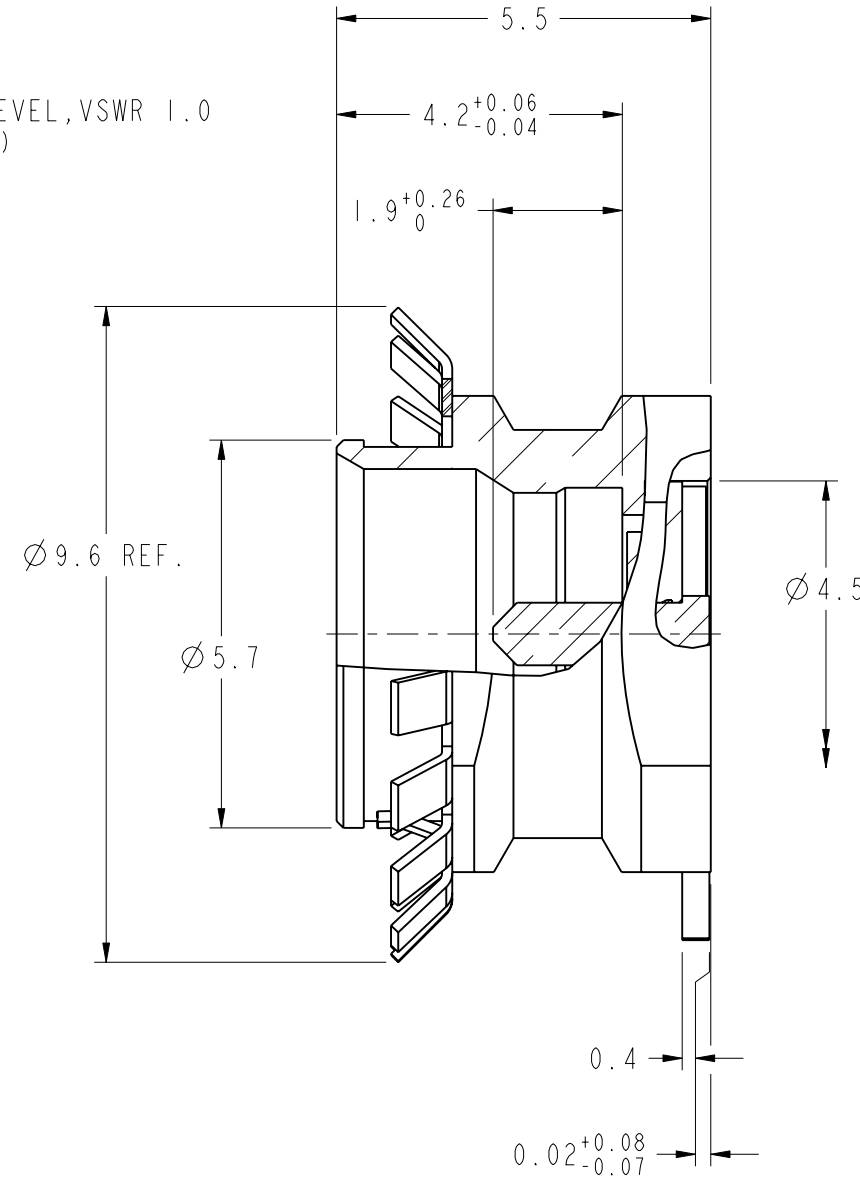
THIRD ANGLE PROJ.

REVISIONS

REV	DESCRIPTION	DATE	ECO	APPR
A	RELEASE TO MFG., ADDED PART NO. PSMP-MSLD-PCSEM	19-Nov-15	50842	BCG



SCALE 3.000



CUSTOMER OUTLINE DRAWING

ALL OTHER SHEETS ARE FOR INTERNAL USE ONLY

UNLESS OTHERWISE SPECIFIED, DIMENSIONS ARE IN METRIC AND TOLERANCES ARE:
 <0.5mm ±0.05mm 0.5 - 6mm ±0.1mm 6 - 30mm ±0.2mm 30 - 120mm ±0.3mm ANGLES ±1°

NOTICE - These drawings, specifications, or other data (1) are, and remain the property of Amphenol corp. (2) must be returned upon request; and (3) are confidential and not to be disclosed to any person other than those to whom they are given by Amphenol Corp. the finishing of these drawings, specifications, or other data by Amphenol Corp., or to any other person to anyone for any purpose is not to be regarded by implication or otherwise in any manner licensing, granting rights to permitting such holder or any other person to manufacture, use or sell any product, process or design, patented or otherwise, that may in any way be related to or disclosed by said drawings, specifications, or other data.

MATERIAL	DRAWN ALLEN	DATE 09-Dec-15	TITLE POWER-SMP STRAIGHT MALE FOR PCB LIMITED DETENT	Amphenol RF Danbury CT USA, Tainan, Taiwan, Shenzhen, China www.amphenolrf.com	
	ENGINEER RICKSON	DATE 09-Dec-15			
	REFERENCE EAR 06666 119S106-40ML5	APPROVED SCOTT	DATE 10-Dec-15	SCALE: 10.0:1.0 SHEET 2 OF 2	DRAWING NO. PSMP1251DI-002-8GPAP8GPA-50
	FINISH	CAD FILE I:\PSMP\PSMP1251DI-002-8GPAP8GPA-50	DWG SIZE B	REV A	ITEM NO. 671251ABTA12C5F PART NO. PSMP-MSLD-PCSEM

X-ON Electronics

Largest Supplier of Electrical and Electronic Components

Click to view similar products for [RF Connectors / Coaxial Connectors](#) category:

Click to view products by [Amphenol](#) manufacturer:

Other Similar products are found below :

[8915-1511-000](#) [89674-0827](#) [6001-7071-019](#) [6002-7051-003](#) [6002-7551-202](#) [6059674-1](#) [619550-1](#) [630059-000](#) [M39030/3-01N](#) [M3933/25-36N](#) [6500-7071-046](#) [6769](#) [CX050L2AQ](#) [7002-1542-011](#) [7004-1512-000](#) [7009-1511-004](#) [7010-1511-000](#) [7029-1511-060](#) [7101-1541-010](#) [7101-1571-002](#) [7105-1521-002](#) [7145-1521-002](#) [7203-1571-003](#) [7209-1511-011](#) [7210-1511-015](#) [7210-1511-019](#) [73137-5015](#) [73216-2241](#) [7325-1512-000](#) [73404-2300](#) [7405-1521-005](#) [7405-1521-802](#) [7406-1521-005](#) [8527](#) [8547](#) [FS11V](#) [8808-1511-001](#) [9049-9513-000](#) [9074-9513-000](#) [9101-9573-002](#) [910A205F](#) [9130-9573-002](#) [PL11SC-026](#) [PL375-33](#) [PL40-5](#) [PL71-9](#) [PL74C-221](#) [PL75MC-217](#) [PL803-7](#) [980-8666-005](#)