

NOTES:

1. MATERIAL AND FINISH:

BODY BRASS, GOLD PLATING  
 CONTACT PIN BRASS, GOLD PLATING  
 INSULATOR PEEK, NATURAL

2. ELECTRICAL:

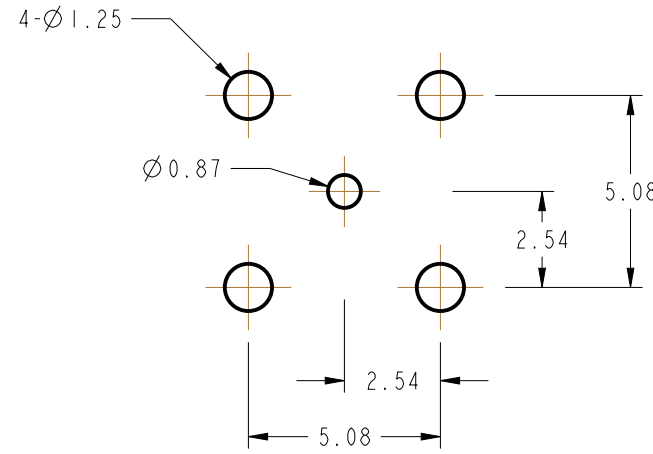
- A. IMPEDANCE: 50 OHM
- B. FREQUENCY RANGE: DC-10 GHz
- C. RETURN LOSS: 26 dB MIN.@ DC-4 GHz  
23 dB MIN.@ 4-6 GHz
- D. INSERTION LOSS:  $0.03X \sqrt{f(\text{GHz})}$  dB MAX.
- E. INSULATION RESISTANCE: 5 GOHM MIN.
- F. POWER HANDLING: 200 W MAX.@ 2.2 GHz AT 20°C
- G. INTERMODULATION(3rd ORDER): -117 dBm MAX. @ 2X20W

3. MECHANICAL:

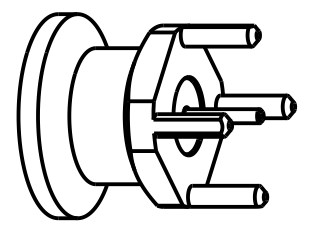
- A. MATING CYCLES: 100 MIN.
- B. TEMPERATURE RANGE: -65°C TO +165°C

THIRD ANGLE PROJ.

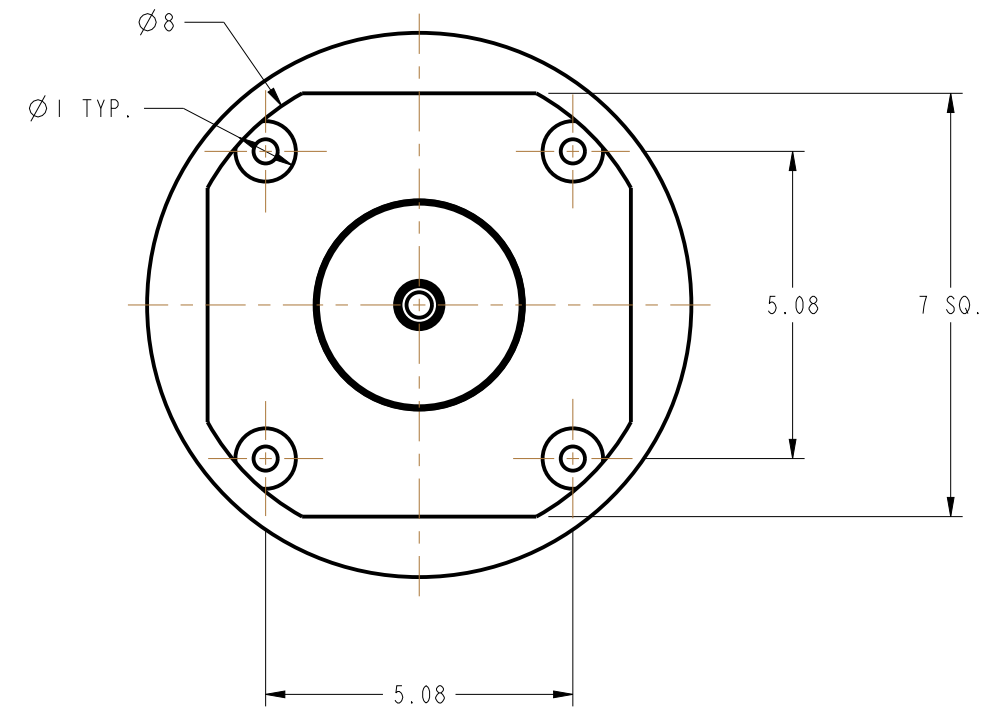
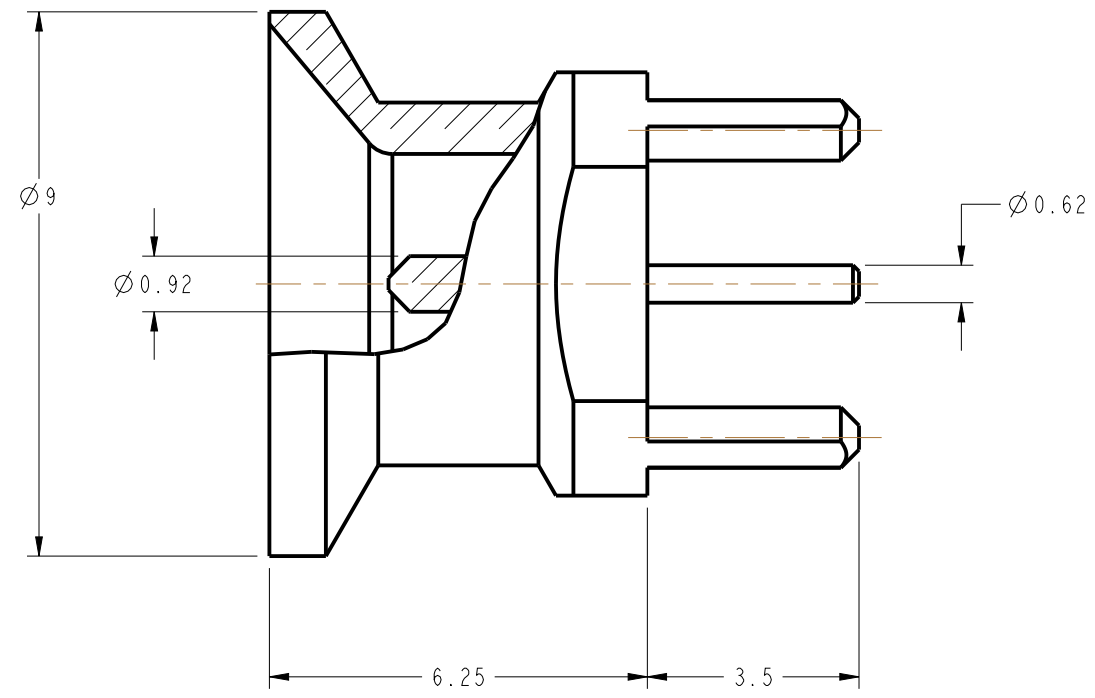
REVISIONS				
REV	DESCRIPTION	DATE	ECO	APPR
A	RELEASE TO MFG.	16-Dec-13		LL
B	TITLE WAS CHANGED. ADDED PART NO. PSMP-MSSB-PCT35 UPDATED RECOMMENDED PCB MOUNTING HOLE	03-Dec-15	50842	SW
C	PLATING OF BODY WAS CHANGED\RD-DMI6042101TI	5/16/16	00781	SH



RECOMMENDED PCB MOUNTING HOLE



SCALE 3.000



**CUSTOMER OUTLINE DRAWING**  
 ALL OTHER SHEETS ARE FOR INTERNAL USE ONLY

UNLESS OTHERWISE SPECIFIED, DIMENSIONS ARE IN METRIC AND TOLERANCES ARE: <0.5mm ±0.05mm    0.5 - 6mm ±0.1mm    6 - 30mm ±0.2mm    30 - 120mm ±0.3mm    ANGLES ±1°  NOTICE - These drawings, specifications, or other data (1) are, and remain the property of Amphenol corp. (2) must be returned upon request; and (3) are confidential and not to be disclosed to any person other than those to whom they are given by Amphenol Corp., the furnishing of these drawings, specifications, or other data by Amphenol Corp., or to any other person to anyone for any purpose is not to be regarded by implication or otherwise in any manner licensing, granting rights to permitting such holder or any other person to manufacture, use or sell any product, process or design, patented or otherwise, that may in any way be related to or disclosed by said drawings, specifications, or other data.	MATERIAL	DRAWN TANGOR	DATE 26-Apr-16	TITLE POWER-SMP, MALE SMOOTH BORE	Amphenol RF www.amphenolrf.com	
	REFERENCE EAR04938	ENGINEER RICKSON	DATE 26-Apr-16			DRAWING NO. PSMP1251BI-001-8GPAP8GPA-50
	CONFIGURATION LEVEL:	APPROVED S.HSIEH	DATE 26-Apr-16	SCALE: 5.0:1.0	SHEET 2 OF 2	ITEM NO. 671251AAS022C5F
	FINISH	CAD FILE	DWG SIZE B	REV C	PART NO. PSMP-MSSB-PCT35	

## X-ON Electronics

Largest Supplier of Electrical and Electronic Components

*Click to view similar products for [RF Connectors / Coaxial Connectors](#) category:*

*Click to view products by [Amphenol](#) manufacturer:*

Other Similar products are found below :

[8915-1511-000](#) [89674-0827](#) [6001-7071-019](#) [6002-7051-003](#) [6002-7551-202](#) [6059674-1](#) [619550-1](#) [630059-000](#) [M39030/3-01N](#) [M3933/25-36N](#) [6500-7071-046](#) [6769](#) [CX050L2AQ](#) [7002-1542-011](#) [7004-1512-000](#) [7009-1511-004](#) [7010-1511-000](#) [7029-1511-060](#) [7101-1541-010](#) [7101-1571-002](#) [7105-1521-002](#) [7145-1521-002](#) [7203-1571-003](#) [7209-1511-011](#) [7210-1511-015](#) [7210-1511-019](#) [73137-5015](#) [73216-2241](#) [7325-1512-000](#) [73404-2300](#) [7405-1521-005](#) [7405-1521-802](#) [7406-1521-005](#) [8527](#) [8547](#) [FS11V](#) [8808-1511-001](#) [9049-9513-000](#) [9074-9513-000](#) [9101-9573-002](#) [910A205F](#) [9130-9573-002](#) [PL11SC-026](#) [PL375-33](#) [PL40-5](#) [PL71-9](#) [PL74C-221](#) [PL75MC-217](#) [PL803-7](#) [980-8666-005](#)