

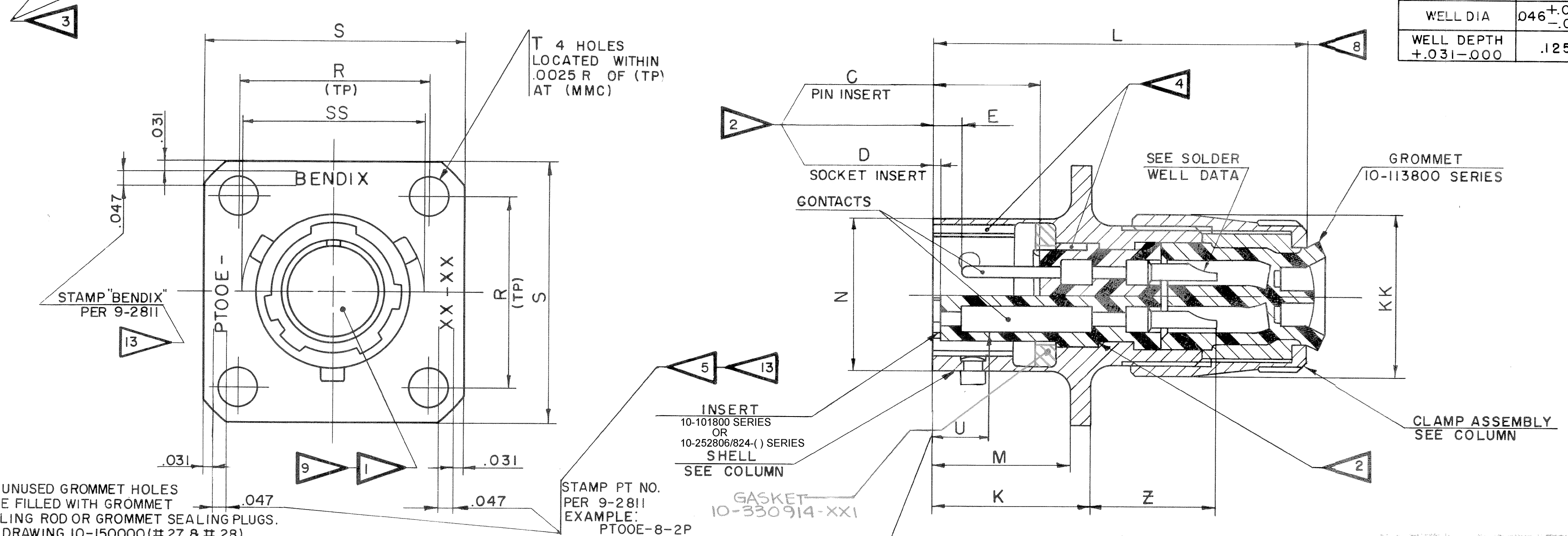
ASSEMBLY NUMBER	PT NUMBER	DETAILS		DIMENSIONS													
		SHELL	CLAMP ASSEMBLY	C +.010 -.025	D +.010 -.025	E +.010 -.020	N DIA +.001 -.005	K +.020 -.010	L +.045 -.025	M +.010 -.000	KK DIA MAX	R (TP)	S	T DIA ±.005	Z +.040 -.050	SS DIA +.000 -.016	U MAX
71-148006-	00E-6-	10-150900-63	10-117930-63	.337	.025	.085	.348	.493	1.165	.431	.420	.469	.688	.120	.394	.439	.153
71-148008-	-8-	-83	-83				.473				.540	.594	.812			.563	
71-148010-	-10-	-103	-103				.590				.665	.719	.938			.680	
71-148012-	-12-	-123	-123				.750				.793	.812	1.031			.859	
71-148014-	-14-	-143	-143				.875				.910	.906	1.125			.983	
71-148016-	-16-	-163	-163				1.000				1.037	.969	1.219			1.108	
71-148018-	-18-	-183	-183	↓	↓	↓	1.125	↓	↓	↓	1.155	1.062	1.312		↓	1.233	↓
71-148020-	-20-	-203	-203	.399	.087	.147	1.250	.650	1.415	.556	1.281	1.156	1.438		.455	1.359	.215
71-148022-	-22-	-223	-223	.399	.087	.147	1.375	.650	1.415	.556	1.408	1.250	1.562	↓	.455	1.483	.215
71-148024-	↓-24-	↓-243	↓-243	.399	.087	.147	1.500	.683	1.477	.589	1.535	1.375	1.688	.147	.422	1.614	.215
71-148025/50				NOT AVAILABLE													

REL	WAS	DATE	D'MAN	APPD
32508-147	9-3105-2 (PRO SPEC)	4-30-57	MANGAN	
1 CNR	COL J +.000-.005 DIA; ADD NOTE II.	5-27-58	MOORE	
2 34105-3	ADD & REL SIZE 24 8 DATA	7-29-58	MOORE	
3 31524-604	BB DIA MAX, T DIA +.004; REV STANDARDIZED	10-29-58	MOORE	
4 35525-249	BB DIA COL, N DIA COL; STANDARDIZED			
5 36162-13	TEST 9-3353-1 (PRO SPEC)	1-28-60	GARDNER	
A1 42620-29	STD PRACTICE	1-7-64	GARDNER	
A2 51430-1	REM NOTE 12	43070		
B 75107-1	(CL II) ADDED GASKET	8-8-84	REXOTTE	
C	(CL II) SEE CHANGE NOTICE ECN: A4896	6/30/08	H.BROOKER	

ACCESSORIES
(NOT PART OF STANDARD ASSY)

SEE DRAWING
10-150000

SOLDER WELL DATA		
CONTACT SIZE	20	16
WELL DIA	046 ^{+0.004} _{-.000}	078 ^{+0.004} _{-.002}
WELL DEPTH	.125	.188



- FOR CONTACT ARRANGEMENTS, SEE DRAWINGS L-15206-() THRU L-15250-().
- DIMENSIONS MUST BE MAINTAINED WHEN INSERTS ARE PRESSED FIRMLY AGAINST INDICATED SHOULDER.
- TO COMPLETE ASSY NO. & PT NO., ADD APPLICABLE INSERT ARRANGEMENT SUFFIX TO BASE NUMBERS LISTED ABOVE PER 9-2437-1.
- VERTICAL CENTERLINES OF INSERT ARRANGEMENT & THE MAIN SHELL POLARIZING KEYWAY TO BE WITHIN .005 OF INDICATED ROTATION PER 9-2437-1.
- SEE WORK ORDER FOR PERMISSIBLE ADDITIONAL OR ALTERNATE STAMPING.
- DISTANCE BETWEEN END OF SHELL & THE POINT AT WHICH A GAGE PIN, HAVING THE SAME BASIC DIA AS THE MATING CONTACT & A SQUARE FACE, ENGAGES SOCKET CONTACT SPRING.
- ALL UNUSED GROMMET HOLES TO BE FILLED WITH GROMMET SEALING ROD OR GROMMET SEALING PLUGS. SEE DRAWING 10-150000 (# 27 & # 28).

- INSERTS & CONTACTS MUST NOT BE REMOVED.
- DIMENSION INDICATES FINAL INSTALLATION. FOR STORAGE & SHIPPING, SHELL & CLAMP ASSEMBLY MUST BE LOOSELY COUPLED.
- STAMPING MAY BE ON EITHER SIDE OF FLANGE. (ONE SIDE ONLY).
- TOLERANCES OF TRUE POSITION (TP) DIMENSIONS APPLY AT MAX MATERIAL CONDITION (MMC).
- FOR COMPONENT PART NUMBERS OF DESIRED ARRANGEMENT, SEE APPLICABLE PARTS LIST.
- SEE DRAWING 71-148606/50 AND OTHERS FOR REQUIRED MATING PLUG ASSEMBLY.

UNLESS OTHERWISE SPECIFIED	
LINEAR DIMENSIONS ARE IN INCHES. TOLERANCES: 3 PLACES ±.010; 2 PLACES ±.03; 1 PLACE ±.1; ANGLES ± 2°. OTHER STANDARDS PER SCINTILLA SPEC 9-3800 AND MIL-STD 8.	
MATERIAL SPEC	PROCESS SPEC
	TEST 9-3980-1 ASSY 9-3605-2 9-2437-1 9-2811

DRAWN: J. SCALONE	DATE: 1-9-57
CHECKED: KOVARICK	DATE: 2-25-57
MATERIAL:	
STANDARDS:	Whist
DRAFTING:	Dee gano
ENGINEERING:	Whist
DEVELOPMENT:	

USE OF THIS DOCUMENT IS UNLIMITED. DOCUMENTS REFERENCED HEREON CONTAIN LIMITED RIGHTS DATA.

THE **Bendix** CORPORATION
SCINTILLA DIVISION
SIDNEY, NEW YORK, U.S.A.

TITLE: CONNECTOR, ELECTRICAL RECEPTACLE, TYPE PTE () FW, OLIVE DRAB

CODE IDENT NO. 77820 SIZE C

71-148006 THRU 71-148050

SCALE NONE WT SEE PARTS LIST REF SHEET

NEXT ASSEMBLY

71-148006/50

X-ON Electronics

Largest Supplier of Electrical and Electronic Components

Click to view similar products for [Circular MIL Spec Connector](#) category:

Click to view products by [Amphenol](#) manufacturer:

Other Similar products are found below :

[89075GULPR](#) [0025-264-3014](#) [58-570121-04S](#) [58-584653-12P](#) [0134-213-1007](#) [0134-213-1208](#) [0134-213-2209](#) [0025-258-000](#) [60-042022-02P](#) [60-042022-19P](#) [60-042022-23P](#) [60-042217-10P](#) [60-042217-11P](#) [012-0467-000](#) [602GB06EG24-61SN](#) [0134-201-1207](#) [0134-207-2009](#) [0134-213-1006](#) [6104-207-2302](#) [6104-208-1902](#) [6131-202-19149P](#) [6131-204-21149P](#) [6131-207-13149P](#) [6131-208-13149P](#) [6131-209-17149P](#) [6131-210-11149P](#) [6131-211-19149P](#) [6131-216-19149P](#) [6131-220-25149P](#) [6131-259-11149P](#) [6131-259-21149P](#) [6131-259-23149P](#) [6131-263-19149P](#) [6131-265-17149P](#) [6131-265-19149P](#) [6134-203-21149](#) [CS3100A18-1P-472](#) [CS3100A-36-77S](#) [CS3101A36-79S-SR](#) [CS3102A-10SL-53P](#) [CS3102A10SL-64S](#) [CS3102A-18-1P116](#) [CS3102A-20-15S](#) [CS3102A-22-70S](#) [CS3102A-24-79S](#) [CS3102A24-AJS](#) [CS3102A-32-17P](#) [CS3102A32-25S](#) [CS3102A-36-78S](#) [CS3106A10SL3S004](#)