

4

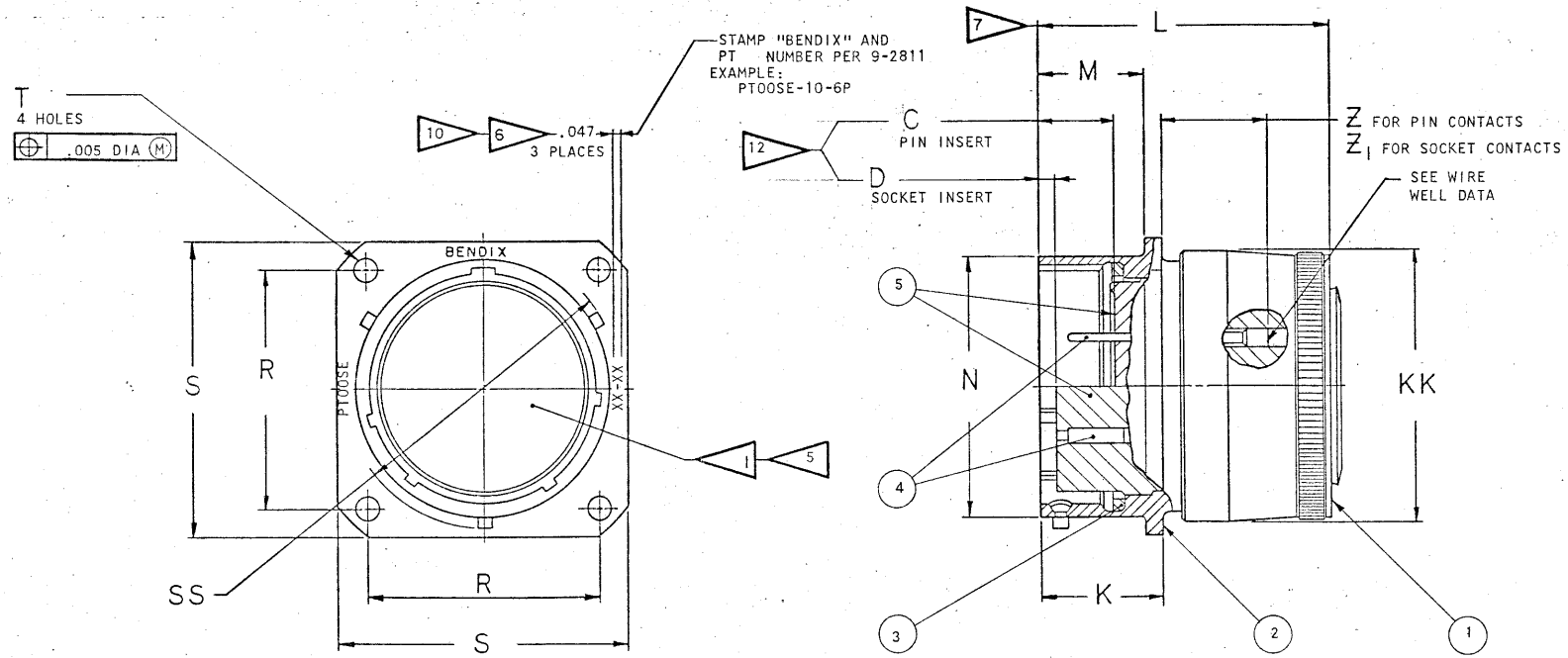
3

2

1

ACCESSORIES
 (NOT PART OF STANDARD ASSEMBLY)
 SEE DRAWING 10-150000

36536-115		REVISIONS		DATE	APPROVED
ZONE	LTR	DESCRIPTION			
	A8	REDRAWN, WAS SINGLE SHEET, PROVIDED MFG DATA AND STANDARDIZED ECN: 50525-301		4-2-75 BARTKOW	<i>Hagedorn</i>



FIND NO.	QTY REQD	CODE IDENT	PART NUMBER	DESCRIPTION	NOTE REF
5	1		10-330806-()P/50-()P OR 10-330806-()S/50-()S	INSERT ASSEMBLY, PIN INSERT ASSEMBLY, SOCKET	
4		SEE NOTE 2		CONTACTS	4,9
3	1		10-330914-XX1	GASKET	
2	1		10-330900-XX3	SHELL	
1	1		10-330955-XX3	NUT ASSEMBLY	

UNLESS OTHERWISE SPECIFIED		SIGNATURES	DATES	The Bendix Corporation Electrical Components Division Sidney, New York
LINEAR DIMENSIONS ARE IN INCHES. TOLERANCES: .XXX ± .010, .XX ± .03, X ± .1, ANGLES ± 2°. OTHER STANDARDS PER 9-3800 AND MIL-D-1000. NOTE REF		PREPARED E. FLEMING	11-4-60	
MATERIAL SPEC	PROCESS SPEC	CHECKED B. Jones	6-17-75	
	TEST 9-4039-1 ASSY 9-3836-2	APPROVED <i>[Signature]</i>	4-4-75	SIZE CODE IDENT NO. C 77820 71-331006 THRU 71-331050
	9-2437-1 9-2811	APPROVED W. Harrison	6-19-75	

SEE SHEET 2
 NOTES:

NEXT ASSEMBLY

ASSEMBLY NUMBER	PT NUMBER	C +.000 -.020	D +.000 -.020	K +.025 -.010	L MAX	M +.010 -.000	N DIA +.001 -.005	R (TP)	S ±.016	T DIA ±.005	Z MAX	Z ₁ MAX	KK DIA +.000 -.031	SS DIA +.000 -.016
71-331006-()	00SE-6-()		NOT AVAILABLE											
71-331008-()	-8-()	.332	.025	.493	1.328	.431	.473	.594	.812	.120	.564	.503	.560	.563
71-331010-()	-10-()						.590	.719	.939				.685	.680
71-331012-()	-12-()						.750	.812	1.031				.813	.859
71-331014-()	-14-()						.875	.906	1.125				.930	.984
71-331016-()	-16-()						1.000	.969	1.219				1.057	1.108
71-331018-()	-18-()						1.125	1.062	1.312				1.175	1.233
71-331020-()	-20-()	.394	.087	.650	1.359	.556	1.250	1.156	1.438		.469	.408	1.301	1.358
71-331022-()	-22-()			.650	1.359	.556	1.375	1.250	1.562		.469	.408	1.428	1.483
71-331024-()	-24-()			.683	1.422	.589	1.500	1.375	1.688	.147	.436	.375	1.555	1.610
71-331025/50			NOT AVAILABLE											



- 9. PACKAGE PER PRODUCTION PROCESS SHEET.
- 8. SEE DRAWING 71-331606/50 AND OTHERS FOR REQUIRED MATING PLUG ASSEMBLY.
- 7. DIMENSION INDICATES FINAL INSTALLATION. FOR STORAGE AND SHIPPING, SHELL AND NUT MUST BE LOOSELY COUPLED.
- 6. SEE WORK ORDER FOR PERMISSIBLE ADDITIONAL OR ALTERNATE STAMPING.
- 5. INSERT ASSEMBLIES ARE NOT REMOVABLE.
- 4. DRAWING ILLUSTRATES FINAL ASSEMBLY. CONTACTS ARE SHIPPED UNASSEMBLED.
- 3. TO COMPLETE ASSEMBLY NUMBER AND PT NUMBER, ADD APPLICABLE INSERT ARRANGEMENT SUFFIX TO BASE NUMBERS LISTED ABOVE PER 9-2437-1.
- 2. SEE SEPARATE PARTS LIST FOR COMPONENT PART NUMBERS AND QUANTITIES
- 1. FOR CONTACT ARRANGEMENTS & COAXIAL CONTACT DATA, SEE DRAWINGS L-15206-() THRU L-15250-().

- 14. SEE INDIVIDUAL DRAWINGS FOR 71-331014-22, 71-331014-91, 71-331018-91.
- 13. UNITS ILLUSTRATED MEET THE MATERIAL AND FINISH REQUIREMENTS OF MIL-C-26482.
- 12. INSERT LOCATING DIMENSIONS APPLY BEFORE ASSEMBLY OF CONTACTS.
- 11. FOR FINAL INSTALLATION, CONTACTS MUST BE ASSEMBLED INTO ALL INSERT HOLES. ALL UNUSED GROMMET HOLES MUST BE FILLED WITH APPROPRIATE SEALING PLUG 10-101033.
- 10. STAMPING MAY BE ON EITHER SIDE OF FLANGE (ONE SIDE ONLY).

WIRE WELL DATA				
CONTACT SIZE	20	16	12	12 FOR NO. 10 WIRE
CONDUCTOR WELL DIA	.048 ^{+.002} _{-.000}	.066 ^{+.002} _{-.000}	.100±.002	.136±.002
CONDUCTOR WELL DEPTH	.189 ^{+.037} _{-.000}	.250 ^{+.031} _{-.000}	.250 ^{+.031} _{-.000}	.250 ^{+.031} _{-.000}
INSULATION WELL DIA	.091 ^{+.002} _{-.000}	NOT APPLICABLE	NOT APPLICABLE	NOT APPLICABLE
INSULATION WELL DEPTH	.072 ^{+.006} _{-.000}	NOT APPLICABLE	NOT APPLICABLE	NOT APPLICABLE

COAXIAL DATA	
CONTACT SIZE	8
CABLE TYPE	RG-195/U RG-180/U

NOTES:

SIZE	CODE IDENT NO.	71-331006 THRU 71-331050
C	77820	
REV SYM	A	B
SCALE	WT	REF
SHEET	2	

X-ON Electronics

Largest Supplier of Electrical and Electronic Components

Click to view similar products for [Circular MIL Spec Connector](#) category:

Click to view products by [Amphenol](#) manufacturer:

Other Similar products are found below :

[89075GULPR](#) [0025-262-542](#) [0025-264-3014](#) [58-570121-04S](#) [0134-213-1208](#) [0134-213-2209](#) [0025-258-000](#) [60-042022-07P](#) [60-042022-19P](#)
[60-042022-23P](#) [60-042217-10P](#) [60-042217-11P](#) [0114-201-1278](#) [012-0467-000](#) [602GB06EG24-61SN](#) [0134-201-1207](#) [0134-213-1006](#) [6104-](#)
[207-2302](#) [6104-208-1902](#) [61-168211-04P](#) [61-168617-10P](#) [6131-202-19149P](#) [6131-204-21149P](#) [6131-208-13149P](#) [6131-209-17149P](#) [6131-](#)
[210-11149P](#) [6131-211-19149P](#) [6131-216-19149P](#) [6131-259-21149P](#) [6131-259-23149P](#) [6131-265-17149P](#) [6131-265-19149P](#) [CS3100A18-1P-](#)
[472](#) [CS3100A-36-77P](#) [CS3101A-16-55P](#) [CS3102A-10SL-55P](#) [CS3102A-14S-58P](#) [CS3102A-18-1P116](#) [CS3102A-32-17P](#) [CS3102A32-25S](#)
[CS3102C18-4P-472](#) [CS3106A10SL3S004](#) [CS3106A-18-73S](#) [CS3108A-14S-52S](#) [CS3108A-28-51S](#) [6162-233-1277](#) [6162-324-1231](#)
[M243082296Z](#) [M2884010AC1S1](#) [CT0-24-10SC](#)