

4

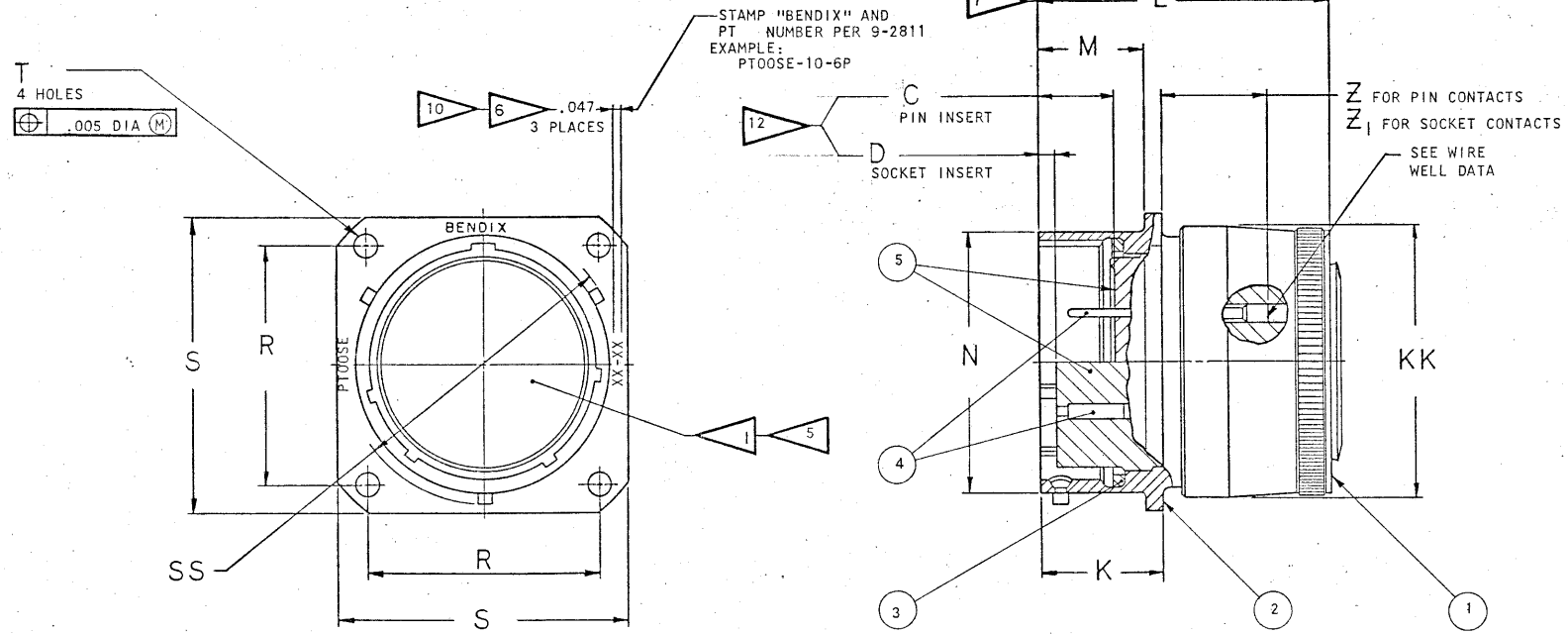
3

2

1

ACCESSORIES
 (NOT PART OF STANDARD ASSEMBLY)
 SEE DRAWING 10-150000

36536-115		REVISIONS		DATE	APPROVED
ZONE	LTR	DESCRIPTION			
	A8	REDRAWN, WAS SINGLE SHEET, PROVIDED MFG DATA AND STANDARDIZED ECN: 50525-301		4-2-75 BARTKOW	<i>Haged</i>



FIND NO.	QTY REQD	CODE IDENT	PART NUMBER	DESCRIPTION	NOTE REF
5	1		10-330806-()P/50-()P OR 10-330806-()S/50-()S	INSERT ASSEMBLY, PIN INSERT ASSEMBLY, SOCKET	
4		SEE NOTE 2		CONTACTS	4,9
3	1		10-330914-XX1	GASKET	
2	1		10-330900-XX3	SHELL	
1	1		10-330955-XX3	NUT ASSEMBLY	

UNLESS OTHERWISE SPECIFIED		SIGNATURES		DATES		The Bendix Corporation Electrical Components Division Sidney, New York	
LINEAR DIMENSIONS ARE IN INCHES. TOLERANCES: .XXX ± .010, .XX ± .03, X ± .1, ANGLES ± 2°, OTHER STANDARDS PER 9-3800 AND MIL-D-1000. NOTE REF		PREPARED E. FLEMING		11-4-60	TITLE: CONNECTOR, ELECTRICAL RECEPTACLE, TYPE PT - SE ()FW, OLIVE DRAB		
MATERIAL SPEC		CHECKED B. Jones		6-17-75			
PROCESS SPEC		APPROVED E. Chapman		4-4-75	SIZE CODE IDENT NO. C 77820 71-331006 THRU 71-331050		
TEST		APPROVED W. Harrison		6-19-75			
ASSY							
9-3836-2					SEE PARTS LIST REF		
9-2437-1					SHEET 1 OF 2		
9-2811					ORIGINAL TAB.		

SEE SHEET 2
 NOTES:

NEXT ASSEMBLY

IMAGED / Mar. 22 2004, 02:23 PM

ASSEMBLY NUMBER	PT NUMBER	C +.000 -.020	D +.000 -.020	K +.025 -.010	L MAX	M +.010 -.000	N DIA +.001 -.005	R (TP)	S ±.016	T DIA ±.005	Z MAX	Z ₁ MAX	KK DIA +.000 -.031	SS DIA +.000 -.016
71-331006-()	00SE-6-()		NOT AVAILABLE											
71-331008-()	-8-()	.332	.025	.493	1.328	.431	.473	.594	.812	.120	.564	.503	.560	.563
71-331010-()	-10-()						.590	.719	.939				.685	.680
71-331012-()	-12-()						.750	.812	1.031				.813	.859
71-331014-()	-14-()						.875	.906	1.125				.930	.984
71-331016-()	-16-()						1.000	.969	1.219				1.057	1.108
71-331018-()	-18-()						1.125	1.062	1.312				1.175	1.233
71-331020-()	-20-()	.394	.087	.650	1.359	.556	1.250	1.156	1.438		.469	.408	1.301	1.358
71-331022-()	-22-()			.650	1.359	.556	1.375	1.250	1.562		.469	.408	1.428	1.483
71-331024-()	-24-()			.683	1.422	.589	1.500	1.375	1.688	.147	.436	.375	1.555	1.610
71-331025/50			NOT AVAILABLE											



9. PACKAGE PER PRODUCTION PROCESS SHEET.
8. SEE DRAWING 71-331606/50 AND OTHERS FOR REQUIRED MATING PLUG ASSEMBLY.
7. DIMENSION INDICATES FINAL INSTALLATION. FOR STORAGE AND SHIPPING, SHELL AND NUT MUST BE LOOSELY COUPLED.
6. SEE WORK ORDER FOR PERMISSIBLE ADDITIONAL OR ALTERNATE STAMPING.
5. INSERT ASSEMBLIES ARE NOT REMOVABLE.
4. DRAWING ILLUSTRATES FINAL ASSEMBLY. CONTACTS ARE SHIPPED UNASSEMBLED.
3. TO COMPLETE ASSEMBLY NUMBER AND PT NUMBER, ADD APPLICABLE INSERT ARRANGEMENT SUFFIX TO BASE NUMBERS LISTED ABOVE PER 9-2437-1.
2. SEE SEPARATE PARTS LIST FOR COMPONENT PART NUMBERS AND QUANTITIES
1. FOR CONTACT ARRANGEMENTS & COAXIAL CONTACT DATA, SEE DRAWINGS L-15206-() THRU L-15250-().
14. SEE INDIVIDUAL DRAWINGS FOR 71-331014-22, 71-331014-91, 71-331018-91.
13. UNITS ILLUSTRATED MEET THE MATERIAL AND FINISH REQUIREMENTS OF MIL-C-26482.
12. INSERT LOCATING DIMENSIONS APPLY BEFORE ASSEMBLY OF CONTACTS.
11. FOR FINAL INSTALLATION, CONTACTS MUST BE ASSEMBLED INTO ALL INSERT HOLES. ALL UNUSED GROMMET HOLES MUST BE FILLED WITH APPROPRIATE SEALING PLUG 10-101033.
10. STAMPING MAY BE ON EITHER SIDE OF FLANGE (ONE SIDE ONLY).

WIRE WELL DATA				
CONTACT SIZE	20	16	12	12 FOR NO. 10 WIRE
CONDUCTOR WELL DIA	.048 ^{+.002} _{-.000}	.066 ^{+.002} _{-.000}	.100±.002	.136±.002
CONDUCTOR WELL DEPTH	.189 ^{+.037} _{-.000}	.250 ^{+.031} _{-.000}	.250 ^{+.031} _{-.000}	.250 ^{+.031} _{-.000}
INSULATION WELL DIA	.091 ^{+.002} _{-.000}	NOT APPLICABLE	NOT APPLICABLE	NOT APPLICABLE
INSULATION WELL DEPTH	.072 ^{+.006} _{-.000}	NOT APPLICABLE	NOT APPLICABLE	NOT APPLICABLE

COAXIAL DATA	
CONTACT SIZE	8
CABLE TYPE	RG-195/U RG-180/U

NOTES:

SIZE	CODE IDENT NO.	71-331006 THRU 71-331050
C	77820	
REV SYM	A	B
SCALE	WT	REF
SHEET	2	

71-331006/50

X-ON Electronics

Largest Supplier of Electrical and Electronic Components

Click to view similar products for [Circular MIL Spec Connector](#) category:

Click to view products by [Amphenol](#) manufacturer:

Other Similar products are found below :

[0025-262-542](#) [0025-264-3014](#) [58-570121-04S](#) [0134-202-1200](#) [0134-207-1206](#) [0134-207-1800](#) [0134-207-2207](#) [0134-213-0806](#) [0134-213-1007](#) [0134-213-1009](#) [0134-213-1208](#) [0134-213-1800](#) [0134-213-2209](#) [0025-258-000](#) [015-9516-002](#) [60-042722-19P](#) [0114-201-1278](#) [602GB06EG24-61SN](#) [0134-201-1207](#) [0134-201-1806](#) [0134-201-2006](#) [0134-201-2007](#) [0134-201-2010](#) [0134-202-1400](#) [0134-207-0809](#) [0134-207-1208](#) [0134-207-2009](#) [0134-213-1006](#) [6104-207-2302](#) [6104-208-1902](#) [6131-202-19149P](#) [6131-204-21149P](#) [6131-207-13149P](#) [6131-208-13149P](#) [6131-209-17149P](#) [6131-210-11149P](#) [6131-211-19149P](#) [6131-216-19149P](#) [6131-220-25149P](#) [6131-259-11149P](#) [6131-259-21149P](#) [6131-259-23149P](#) [6131-263-19149P](#) [6131-265-17149P](#) [6131-265-19149P](#) [CS3102A-20-15P](#) [CS3102A-20-15S](#) [CS3102C18-4P-472](#) [CS3106A-20-29P](#) [CS3106A-20-74P](#)