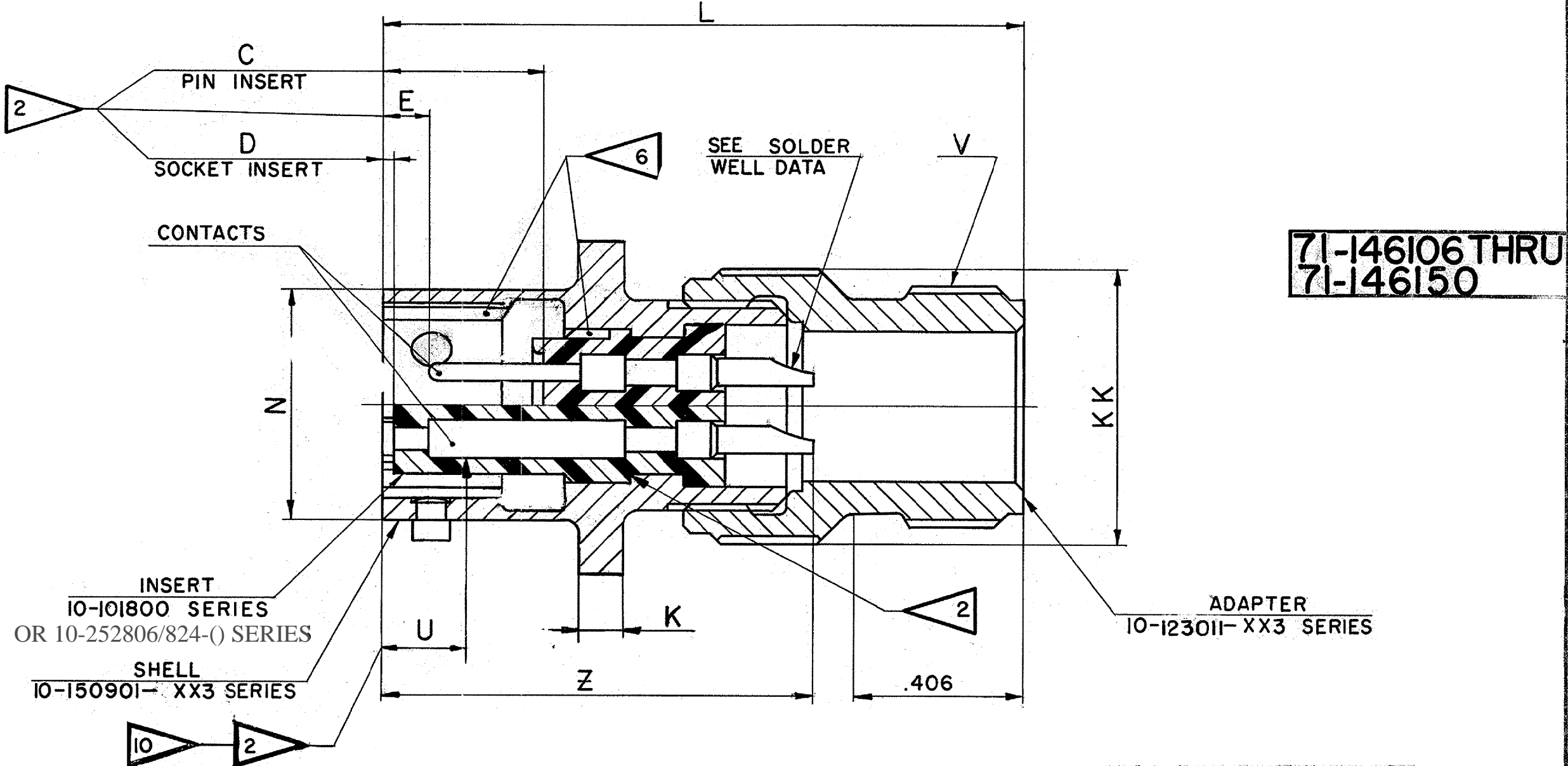
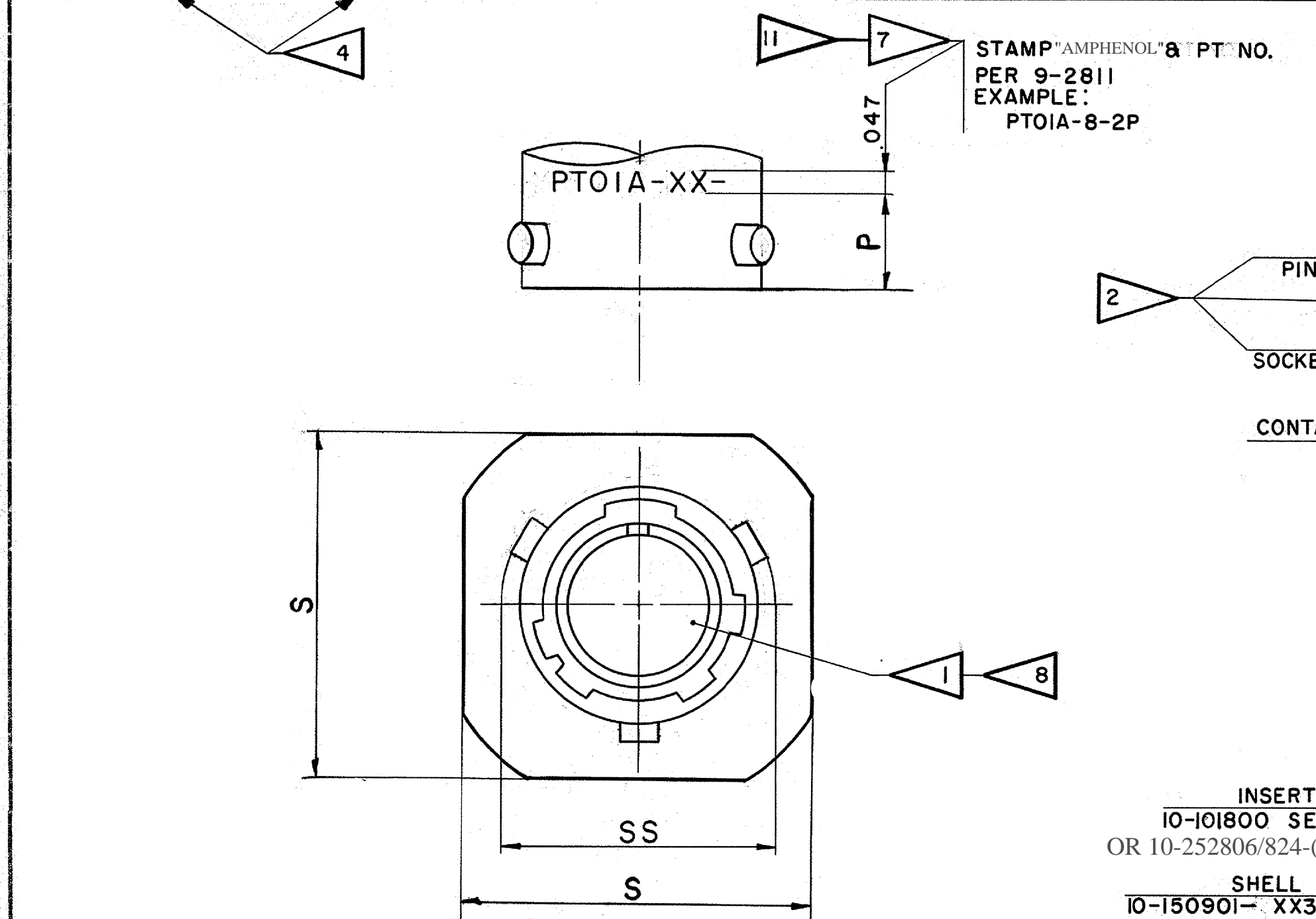


ASSEMBLY NUMBER	PT NUMBER	DIMENSIONS													
		C	D	E	L	N DIA	P	V THREAD (PLATED)		Z	KK	SS	K	S	U
		+0.010 -0.025	+0.010 -0.025	+0.010 -0.020	+0.040 -0.030	+0.001 -0.005		SIZE CLASS 2A	PITCH DIA	±.030	DIA +0.000 -0.031	DIA +0.000 -0.016		±.016	MAX
71-146106-	01A-6-					.348	.188	.3750-32 NEF	.3547 - .3503	.887	.453	.439	.094	.688	.153
71-146108-	-8-					.473		.5000-28 UNEF	.4768 - .4720		.578	.563		.812	
71-146110-	-10-					.590		.6250-24 NEF	.5979 - .5927		.703	.680		.938	
71-146112-	-12-					.750		.7500-20 UNEF	.7175 - .7118		.828	.859		1.031	
71-146114-	-14-					.875		.8750-20 UNEF	.8425 - .8368		.968	.984		1.125	
71-146116-	-16-					1.000		1.0000-20 UNEF	.9675 - .9616		1.078	1.108		1.219	
71-146118-	-18-					1.125		1.1875-18 NEF	1.1514 - 1.1450		1.203	1.233		1.312	
71-146120-	-20-	.399	.087	.147	1.635	1.250	.344	1.1875-18 NEF	1.1514 - 1.1450	1.105	1.328	1.358	.115	1.438	.215
71-146122-	-22-	.399	.087	.147	1.635	1.375	.344	1.4375-18 NEF	1.4014 - 1.3949	1.105	1.453	1.483	.115	1.562	
71-146124-	-24-	.399	.087	.147	1.697	1.500	.344	1.4375-18 NEF	1.4014 - 1.3949	1.105	1.567	1.610	.115	1.688	
71-146125/50						NOT AVAILABLE									

REL	32508-147	WAS	DATE	D'MAN	APPD.
1	CNR	ADD: COL K & S; REV COL P; CHG PICT.	4-17-57	I.NILES	
2	34105-15	N +.000 -0.005 DIA	5-28-58	MOORE	
3	33624-602	ADD & REL SIZE 24 & DATA	7-28-58	D. WAY	
4	35525-238	L +.030 -0.020; REV KK DIA COL, SS DIA COL, S COL; STANDARDIZED	10-29-58	VIMISLIK	
5	36162-8	TEST 9-3353-2 (PRO SPEC)	1-28-60	MARKOSKI	
A1	45525-809	WAS .983 (COL SS, SIZE 14), 1.614 (COL SS, SIZE 24); (MFG)	5-5-66	BRADLEY	
A2	51430-1	REM NOTE 9	4-20-70	BRADLEY	
B	72028-49	(CL II) ADAPTER WAS 10-117911-XX3, REV. "L" COL.	2-4-81	LEWIS	
C	A0785	(CL II) ADDED 10-252806/824(-)	12-20-06	JONES	

ACCESSORIES
(NOT PART OF STANDARD ASSY)
SEE DRAWING
10-150000



- FOR CONTACT ARRANGEMENTS, SEE DRAWINGS L-15206(-) THRU L-15250(-).
- MATES WITH PLUG 71-146606/50 AND OTHERS.
- FOR COMPONENT PART NUMBERS OF DESIRED ARRANGEMENT, SEE APPLICABLE PARTS LIST.
- TO COMPLETE ASSY NO. & PT NO., ADD APPLICABLE INSERT ARRANGEMENT SUFFIX TO BASE NUMBERS LISTED ABOVE PER 9-2437-1.
- VERTICAL CENTERLINES OF INSERT ARRANGEMENT & THE MAIN SHELL POLARIZING KEYWAY TO BE WITHIN .005 OF INDICATED ROTATION PER 9-2437-1.
- SEE WORK ORDER FOR PERMISSIBLE ADDITIONAL OR ALTERNATE STAMPING.
- INSERTS AND CONTACTS MUST NOT BE REMOVED.
- STAMPING MAY BE ON EITHER SIDE OF FLANGE (ONE SIDE ONLY) OR ON N DIA AS SHOWN.
- DISTANCE BETWEEN END OF SHELL & THE POINT AT WHICH A GAGE PIN, HAVING THE SAME BASIC DIAMETER AS THE MATING CONTACT & A SQUARE FACE, ENGAGES SOCKET CONTACT SPRING.

SOLDER WELL DATA			
CONTACT SIZE	20	16	
WELL DIA	.046 ^{+0.004} _{-0.000}	.078 ^{+0.004} _{-0.002}	
WELL DEPTH	.125	.188	
MATERIAL SPEC.	PROCESS SPEC. TEST 9-3980-2 ASSY 9-3443-192437-1 9-2811	SCINTILLA MAGNETO DIVISION BENDIX AVIATION CORPORATION SIDNEY, N. Y., U.S.A.	
HEAT TREAT SPEC.	FINISH SPEC.	CONNECTOR, ELECTRICAL PLUG, TYPE PTA () FL. OLIVE DRAB	
TOLERANCES UNLESS OTHERWISE SPECIFIED		NEXT ASSEMBLY	
FRACTIONS: 1/32 DECIMALS: ±.010 ANGLES: ±2° CONCENTRICITY: .015 FIR: BREAK SHARP EDGES: .010-.030 SQUARENESS: .010 PER INCH OF LENGTH MACHINED SURFACES MUST BE FLAT AND PARALLEL WITHIN THE TOLERANCE OF THE APPLICABLE DIMENSION AND SMOOTH WITHIN 200 MICRO INCHES RMS.		WEIGHT LBS. SEE PARTSLIST	
SUPERSEDES		AND IS NOT INTERCHANGEABLE	
SUPERSEDED BY		71-146106 THRU 71-146150	
D'MAN	CHECKER	MAT. P	SCALE
I.WARD	KOVARICK	2-25-57	NONE
TOOL ACC.	COM. REC. 22532-33	1-11-57	

X-ON Electronics

Largest Supplier of Electrical and Electronic Components

Click to view similar products for [Circular MIL Spec Connector](#) category:

Click to view products by [Amphenol](#) manufacturer:

Other Similar products are found below :

[89075GULPR](#) [0025-262-542](#) [0025-264-3014](#) [58-570121-04S](#) [0134-213-1208](#) [0134-213-2209](#) [0025-258-000](#) [60-042022-07P](#) [60-042022-19P](#)
[60-042022-23P](#) [60-042217-10P](#) [60-042217-11P](#) [0114-201-1278](#) [012-0467-000](#) [602GB06EG24-61SN](#) [0134-201-1207](#) [0134-213-1006](#) [6104-](#)
[207-2302](#) [6104-208-1902](#) [61-168211-04P](#) [61-168617-10P](#) [6131-202-19149P](#) [6131-204-21149P](#) [6131-208-13149P](#) [6131-209-17149P](#) [6131-](#)
[210-11149P](#) [6131-211-19149P](#) [6131-216-19149P](#) [6131-259-21149P](#) [6131-259-23149P](#) [6131-265-17149P](#) [6131-265-19149P](#) [CS3100A18-1P-](#)
[472](#) [CS3100A-36-77P](#) [CS3101A-16-55P](#) [CS3102A-10SL-55P](#) [CS3102A-14S-58P](#) [CS3102A-18-1P116](#) [CS3102A-32-17P](#) [CS3102A32-25S](#)
[CS3102C18-4P-472](#) [CS3106A10SL3S004](#) [CS3106A-18-73S](#) [CS3108A-14S-52S](#) [CS3108A-28-51S](#) [6162-233-1277](#) [6162-324-1231](#)
[M243082296Z](#) [M2884010AC1S1](#) [CT0-24-10SC](#)