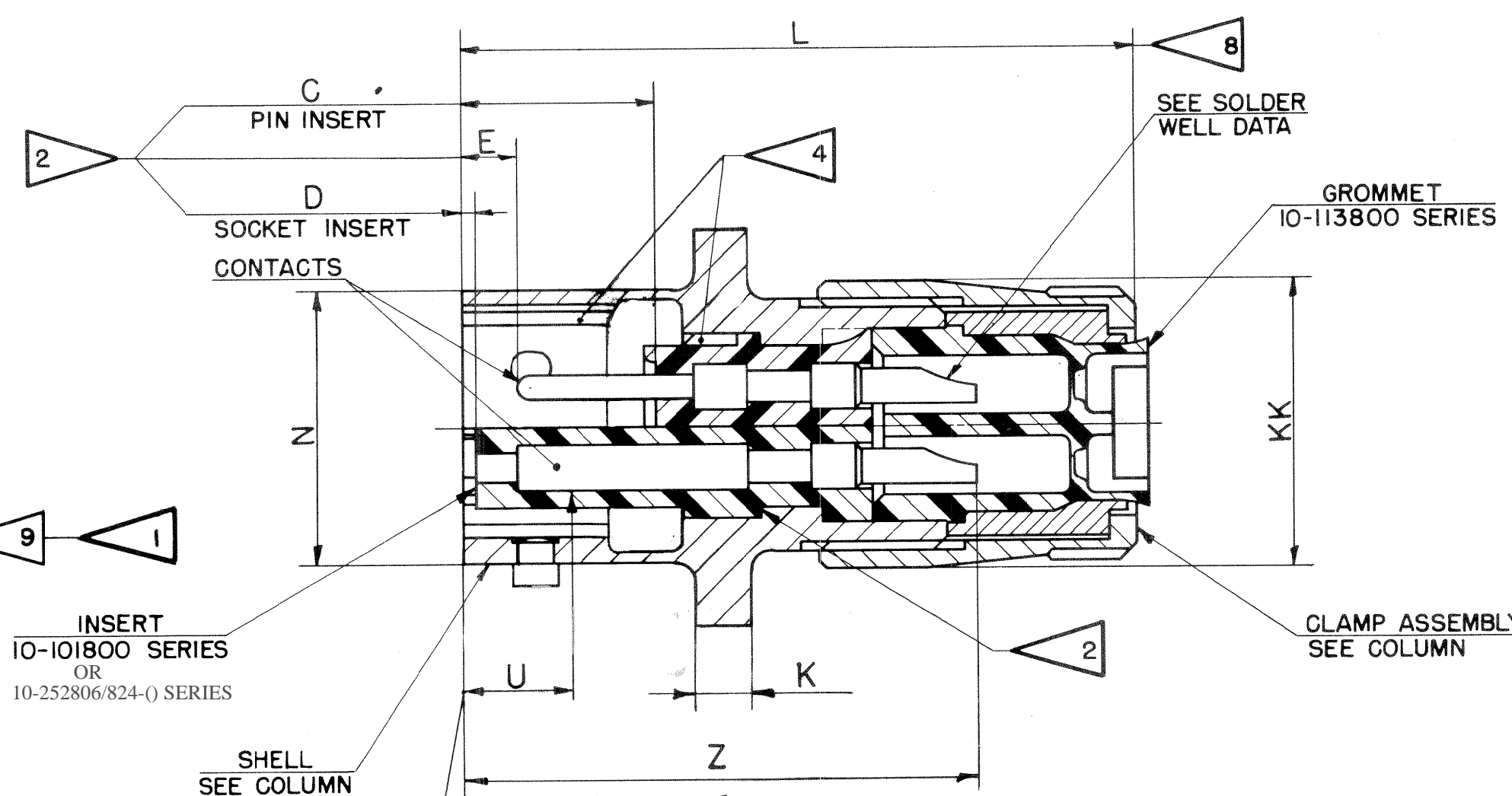
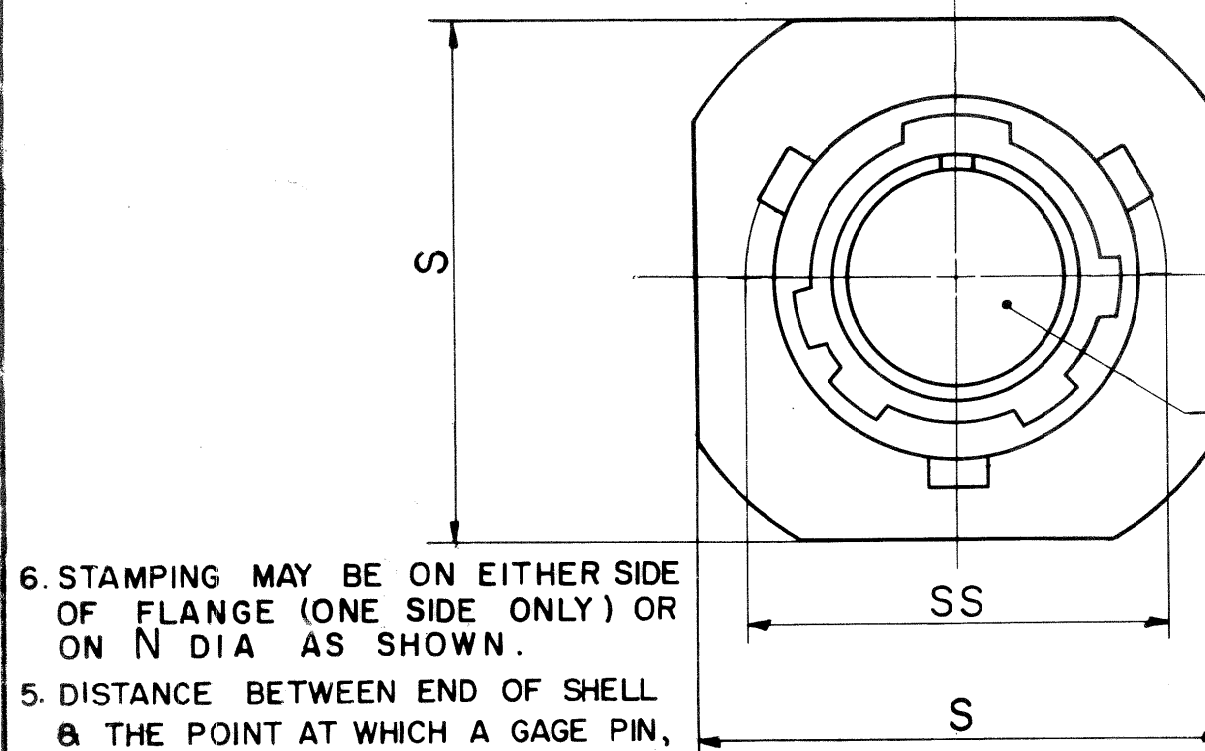
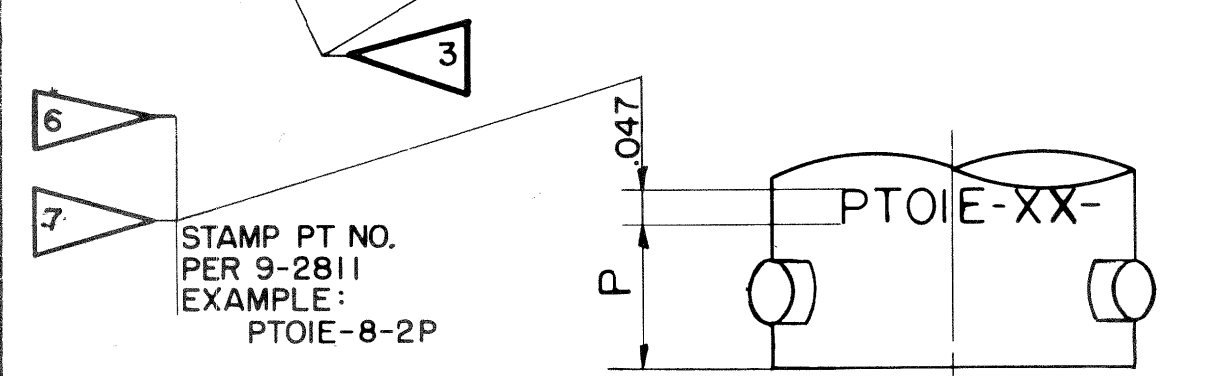


ASSEMBLY NUMBER	PT NUMBER	DETAILS		DIMENSIONS											
		SHELL	CLAMP ASSEMBLY	C +.010 -.025	D +.010 -.025	E +.010 -.020	L +.035 -.015	N DIA +.001 -.005	P	Z ±.030	KK DIA MAX	SS DIA +.000 -.016	K ±.016	S ±.016	U MAX
71-148106 -	OIE - 6 -	10-150901-63	10-117930-63	.337	.025	.085	1.165	.348	.188	.887	.420	.439	.094	.688	.153
71-148108 -	- 8 -	- 83	- 83					.473			.540	.563		.812	
71-148110 -	- 10 -	- 103	- 103					.590			.665	.680		.938	
71-148112 -	- 12 -	- 123	- 123					.750			.793	.859		1.031	
71-148114 -	- 14 -	- 143	- 143					.875			.910	.983		1.125	
71-148116 -	- 16 -	- 163	- 163					1.000			1.037	1.108		1.219	
71-148118 -	- 18 -	- 183	- 183					1.125			1.155	1.233		1.312	
71-148120 -	- 20 -	- 203	- 203	.399	.087	.147	1.415	1.250	.344	1.105	1.281	1.358	.115	1.438	.215
71-148122 -	- 22 -	- 223	- 223	.399	.087	.147	1.415	1.375	.344	1.105	1.408	1.483	.115	1.562	
71-148124 -	- 24 -	- 243	- 243	.399	.087	.147	1.477	1.500	.344	1.105	1.535	1.614	.115	1.688	
71-148125/50		NOT AVAILABLE													

REL	32508-147	WAS	DATE	D'MAN	APPD.
1	CNR	ADD: COL S & K; REV COL P; CHG PICT.	4-22-57	I. NILES	
2	34105-13	N+000-005 DIA	5-27-58	MOORE	
3	33524-605	ADD & REL SIZE 24 & DATA	7-29-58	MOORE	
4	35525-250	REV KK DIA COL; SSDIA COL SCOL; STANDARDIZED	10-29-58	MORIZIO	
5	36162-14	TEST 9-3353-2 (PRO SPEC)	1-28-60	Barbour	
A1	51430-1	(MFG); REM NOTE 12	4-30-70	Woodall	
B	A0756	(CL II) ADDED 10-252806/824-0	12-19-06	VJ	

ACCESSORIES
(NOT PART OF STANDARD ASSY)
SEE DRAWING
10-150000



71-148106 THRU
71-148150

- FOR CONTACT ARRANGEMENTS, SEE DRAWINGS L-15206-() THRU L-152050-()
- DIMENSIONS MUST BE MAINTAINED WHEN INSERTS ARE PRESSED FIRMLY AGAINST INDICATED SHOULDER.
- TO COMPLETE ASSY NO. & PT NO., ADD APPLICABLE INSERT ARRANGEMENT SUFFIX TO BASE NUMBERS LISTED ABOVE PER 9-2437-1.
- VERTICAL CENTERLINES OF INSERT ARRANGEMENT & THE MAIN SHELL POLARIZING KEYWAY TO BE WITHIN .005 OF INDICATED ROTATION PER 9-2437-1.
- DISTANCE BETWEEN END OF SHELL & THE POINT AT WHICH A GAGE PIN, HAVING THE SAME BASIC DIAMETER AS THE MATING CONTACT & A SQUARE FACE, ENGAGES SOCKET CONTACT SPRING.
- STAMPING MAY BE ON EITHER SIDE OF FLANGE (ONE SIDE ONLY) OR ON N DIA AS SHOWN.

- SEE WORK ORDER FOR PERMISSIBLE ADDITIONAL OR ALTERNATE STAMPING.
- ALL UNUSED GROMMET HOLES TO BE FILLED WITH GROMMET SEALING ROD OR GROMMET SEALING PLUGS. SEE DRAWING 10-150000 (# 27 OR # 28).
- FOR COMPONENT PART NUMBERS OF DESIRED ARRANGEMENT, SEE APPLICABLE PARTS LIST.
- SEE DRAWING 71-148606 THRU 71-148650 & OTHERS FOR REQUIRED MATING PLUG ASSEMBLY.
- INSERTS & CONTACTS MUST NOT BE REMOVED.
- DIMENSION INDICATES FINAL INSTALLATION. FOR STORAGE & SHIPPING, SHELL & CLAMP ASSEMBLY MUST BE LOOSELY COUPLED.

SOLDER WELL DATA			
CONTACT SIZE	20	16	
WELL DIA	.046 ⁺⁰⁰⁴ ₋₀₀₀	.078 ⁺⁰⁰⁴ ₋₀₀₂	
WELL DEPTH	.125	.188	

MATERIAL SPEC.	PROCESS SPEC. TEST 9-3980-2 ASSY 9-3443-2 9-2437-1 9-2811	SCINTILLA MAGNETO DIVISION BENDIX AVIATION CORPORATION SIDNEY, N. Y., U.S.A.		TOLERANCES UNLESS OTHERWISE SPECIFIED DECIMALS ±.010	
HEAT TREAT SPEC.	FINISH SPEC.	NAME CONNECTOR, ELECTRICAL PLUG, TYPE PTE () FL, OLIVE DRAB		NEXT ASSEMBLY	
TOOL ACC.	COM. REQ. 22557-14	D'MAN	CHECKER	MAT. P.	STDS
		PESSAGNO	KOVARICK		CH'D'MAN
		1-9-57	2-25-57		APPROVED
					SCALE
					NONE
					REF

71-148106 THRU
71-148150

DWG SIZE C CODE 77820 75-3

X-ON Electronics

Largest Supplier of Electrical and Electronic Components

Click to view similar products for [Circular MIL Spec Connector](#) category:

Click to view products by [Amphenol](#) manufacturer:

Other Similar products are found below :

[0025-262-542](#) [0025-264-3014](#) [58-570121-04S](#) [0134-202-1200](#) [0134-207-1206](#) [0134-207-1800](#) [0134-207-2207](#) [0134-213-0806](#) [0134-213-1007](#) [0134-213-1009](#) [0134-213-1208](#) [0134-213-1800](#) [0134-213-2209](#) [0025-258-000](#) [015-9516-002](#) [60-042722-19P](#) [0114-201-1278](#) [602GB06EG24-61SN](#) [0134-201-1207](#) [0134-201-1806](#) [0134-201-2006](#) [0134-201-2007](#) [0134-201-2010](#) [0134-202-1400](#) [0134-207-0809](#) [0134-207-1208](#) [0134-207-2009](#) [0134-213-1006](#) [6104-207-2302](#) [6104-208-1902](#) [6131-202-19149P](#) [6131-204-21149P](#) [6131-207-13149P](#) [6131-208-13149P](#) [6131-209-17149P](#) [6131-210-11149P](#) [6131-211-19149P](#) [6131-216-19149P](#) [6131-220-25149P](#) [6131-259-11149P](#) [6131-259-21149P](#) [6131-259-23149P](#) [6131-263-19149P](#) [6131-265-17149P](#) [6131-265-19149P](#) [CS3102A-20-15P](#) [CS3102A-20-15S](#) [CS3102C18-4P-472](#) [CS3106A-20-29P](#) [CS3106A-20-74P](#)