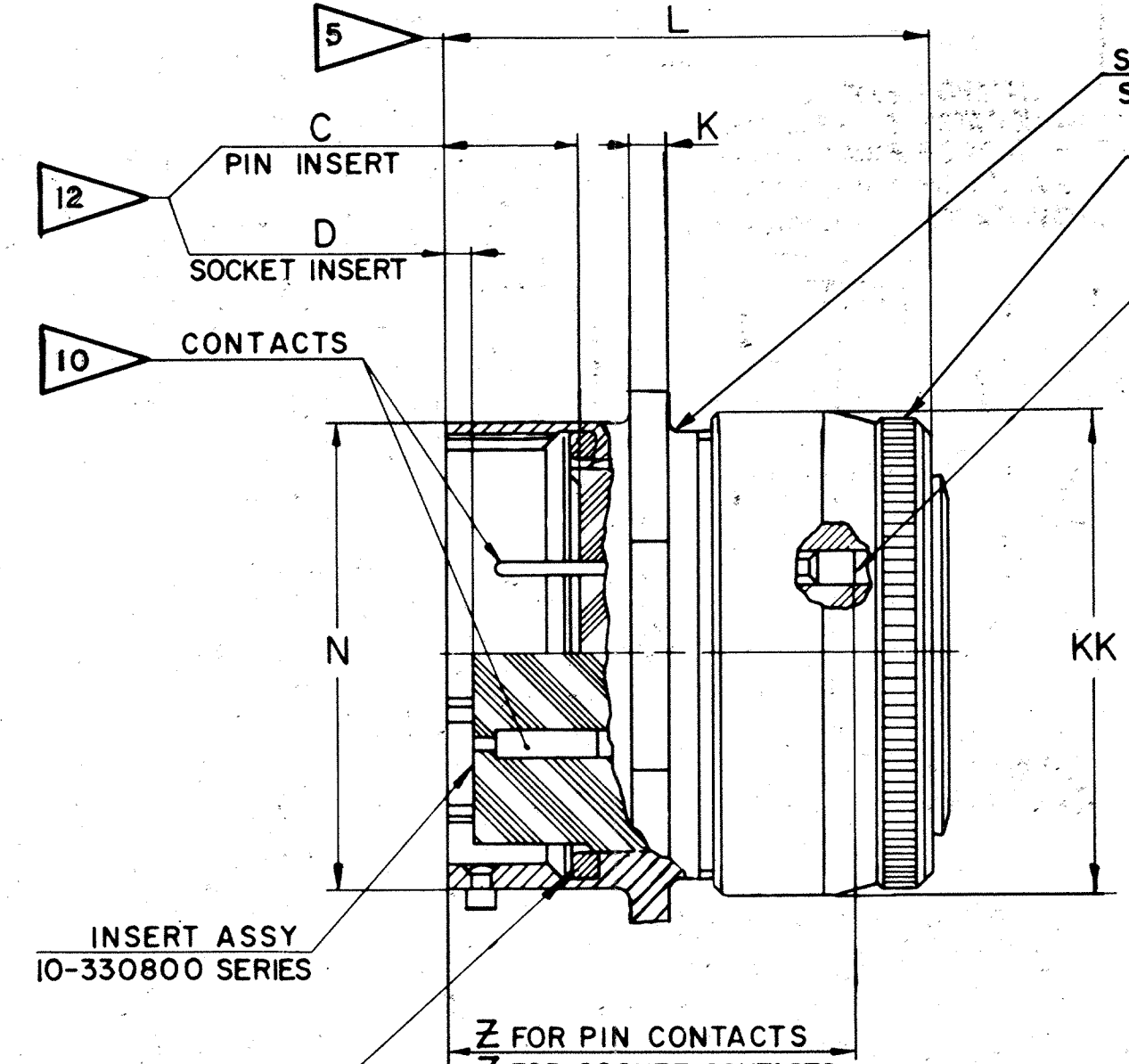
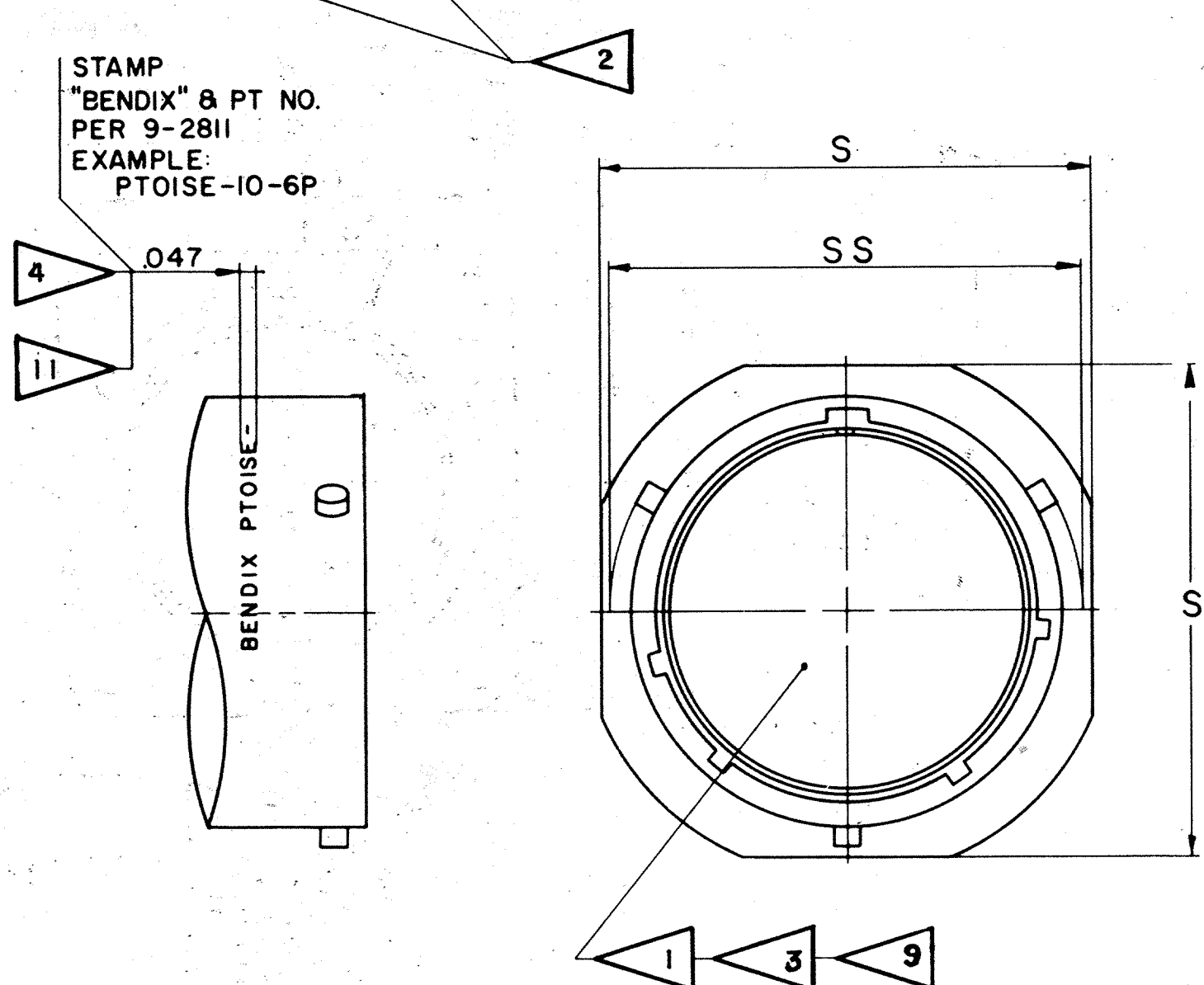


ASSEMBLY NUMBER	PT NO.	DETAIL SHELL	DIMENSIONS										
			C +000 -020	D +000 -020	K +011 -010	L MAX	N DIA +001 -005	S ±0.20	Z ±0.35	Z1 ±0.35	KK DIA +000 -031	SS DIA +000 -016	
71-331106 -	OISE-6 -		NOT AVAILABLE										
71-331108 -	-8 -		NOT AVAILABLE										
71-331110 -	-10 -	10-330901-103	.332	.025	.094	1.328	.590	.938	1.002	.941	.685	.680	
71-331112 -	-12 -	-123					.750	1.031			.813	.859	
71-331114 -	-14 -	-143					.875	1.125			.930	.984	
71-331116 -	-16 -	-163					1.000	1.219			1.057	1.108	
71-331118 -	-18 -	-183					1.125	1.312			1.175	1.233	
71-331120 -	-20 -	-203	.394	.087	.115	1.359	1.250	1.438	1.064	1.003	1.301	1.358	
71-331122 -	-22 -	-223	.394	.087	.115	1.359	1.375	1.562	1.064	1.003	1.428	1.483	
71-331124 -	-24 -	-243	.394	.087	.115	1.442	1.500	1.688	1.064	1.003	1.555	1.610	
71-331125/50 -			NOT AVAILABLE										

REL NO. 37536-52		REVISIONS		DATE	APPROVED
CHG NO.	SYM	DESCRIPTION			
47525 -128	A4	REDRAWN, SAME SIZE, PROVIDED MFG DATA		10-24-66	FLYZIK
51525 -114	A5	ADD. 71-331124-1; REV C +.000-.020 COL		12-8-69	Bandell



SHELL  
SEE COLUMN  
NUT ASSY  
10-330955-XX3 SERIES  
SEE WIRE  
WELL DATA

**ACCESSORIES**  
(NOT PART OF STANDARD ASSEMBLY)  
SEE DRAWING  
10-150000

USE OF THIS DOCUMENT IS UNLIMITED. DOCUMENTS REFERENCED HEREON CONTAIN LIMITED RIGHTS DATA.

WIRE WELL DATA			
CONTACT SIZE	16	20	12 FOR #10
CONDUCTOR WELL DIA	.066 +.002 -.000	.048 +.002 -.000	.136 ± .002
CONDUCTOR WELL DEPTH	.250 +.031 -.000	.189 +.037 -.000	.234 +.031 -.000
COAXIAL DATA	INSULATION WELL DIA	NOT AVAILABLE	.091 +.002 -.000 NOT AVAILABLE
SEE NOTE 1	INSULATION WELL DEPTH	NOT AVAILABLE	.072 +.006 -.000 NOT AVAILABLE

- FOR CONTACT ARRANGEMENTS & COAXIAL CONTACT DATA SEE DRAWINGS L-15206-() THRU L-15250-().
- TO COMPLETE ASSEMBLY NO. & PT NO., ADD APPLICABLE INSERT ARRANGEMENT SUFFIX TO BASE NUMBERS LISTED ABOVE PER 9-2437-1.
- INSERT ASSEMBLIES ARE NOT REMOVABLE.
- SEE WORK ORDER FOR PERMISSIBLE ADDITIONAL OR ALTERNATE STAMPING.
- DIMENSION INDICATES FINAL INSTALLATION. FOR STORAGE & SHIPPING, SHELL & CLAMP NUT MUST BE LOOSELY COUPLED.
- SEE DRAWING 71-331606/50 & OTHERS FOR REQUIRED MATING PLUG ASSEMBLY.
- FOR COMPONENT PART NUMBERS OF DESIRED ARRANGEMENT, SEE APPLICABLE PARTS LIST (PL).
- UNITS ILLUSTRATED MEET THE MATERIAL & FINISH REQUIREMENTS OF MIL-C-26482.
- FOR FINAL INSTALLATION, CONTACTS MUST BE ASSEMBLED INTO ALL INSERT HOLES. ALL UNUSED GROMMET HOLES MUST BE FILLED WITH APPROPRIATE SEALING PLUG 10-101033.
- DRAWING ILLUSTRATES FINAL ASSEMBLY. SHIP CONTACTS UNASSEMBLED.
- STAMPING MAY BE ON EITHER SIDE OF FLANGE (ONE SIDE ONLY) OR ON N DIA AS SHOWN.
- INSERT LOCATING DIMENSIONS APPLY BEFORE ASSEMBLY OF CONTACTS.
- PACKAGE PER PRODUCTION PROCESS SHEET.

ITEM NO.	QTY REQD	DESCRIPTION	PART NUMBER	CODE IDENT	ZONE
<b>PARTS LIST</b>					
UNLESS OTHERWISE SPECIFIED:		DRAWN: M. ZACHARIAS	DATE: 11-30-60		
LINEAR DIMENSIONS ARE IN INCHES. TOLERANCES: 3 PLACES ±.010; 2 PLACES ±.03; 1 PLACE ±.1; ANGLES ±2°. OTHER STANDARDS PER SCINTILLA SPEC 9-3800 AND MIL-STD 8.		CHECKED: <i>Pecora</i>	DATE: 12-7-66		
MATERIAL SPEC	PROCESS SPEC TEST 9-4039-1 ASSY 9-3836-1 9-2437-1 9-2811	MATERIAL:	STANDARDS: <i>B. Solantic</i>		
			DRAFTING: <i>Roberts</i>		
			ENGINEERING: <i>J.M. Harrison</i>		
			DEVELOPMENT: <i>B. Hotchkiss</i>		
		THE <b>Bendix</b> CORPORATION		SCINTILLA DIVISION	
		SIDNEY, NEW YORK, U.S.A.		U	
TITLE: CONNECTOR, ELECTRICAL PLUG, TYPE PT-SE()FL, OLIVE DRAB			CODE IDENT NO. 77820	SIZE C	71-331106 THRU 71-331150
SCALE NONE		SEE PARTS LIST	REF 196106/50	SHEET	

71-331106 / 50

## X-ON Electronics

Largest Supplier of Electrical and Electronic Components

*Click to view similar products for [Circular MIL Spec Connector](#) category:*

*Click to view products by [Amphenol](#) manufacturer:*

Other Similar products are found below :

[89075GULPR](#) [0025-262-542](#) [0025-264-3014](#) [58-570121-04S](#) [0134-213-1208](#) [0134-213-2209](#) [0025-258-000](#) [60-042022-07P](#) [60-042022-19P](#)  
[60-042022-23P](#) [60-042217-10P](#) [0114-201-1278](#) [012-0467-000](#) [602GB06EG24-61SN](#) [0134-201-1207](#) [0134-213-1006](#) [6104-207-2302](#) [6104-](#)  
[208-1902](#) [61-168211-04P](#) [61-168617-10P](#) [6131-202-19149P](#) [6131-204-21149P](#) [6131-208-13149P](#) [6131-209-17149P](#) [6131-210-11149P](#) [6131-](#)  
[211-19149P](#) [6131-216-19149P](#) [6131-259-21149P](#) [6131-259-23149P](#) [6131-265-17149P](#) [6131-265-19149P](#) [CS3100A18-1P-472](#) [CS3100A-36-](#)  
[77P](#) [CS3101A-16-55P](#) [CS3102A-10SL-55P](#) [CS3102A-14S-58P](#) [CS3102A-32-17P](#) [CS3102A32-25S](#) [CS3102C18-4P-472](#)  
[CS3106A10SL3S004](#) [CS3106A-18-73S](#) [CS3108A-14S-52S](#) [CS3108A-28-51S](#) [6162-233-1277](#) [6162-324-1231](#) [M243082296Z](#)  
[M2884010AC1S1](#) [CT0-24-10SC](#) [CT0M20-7PCAU](#) [M28840/17AC1G3](#)