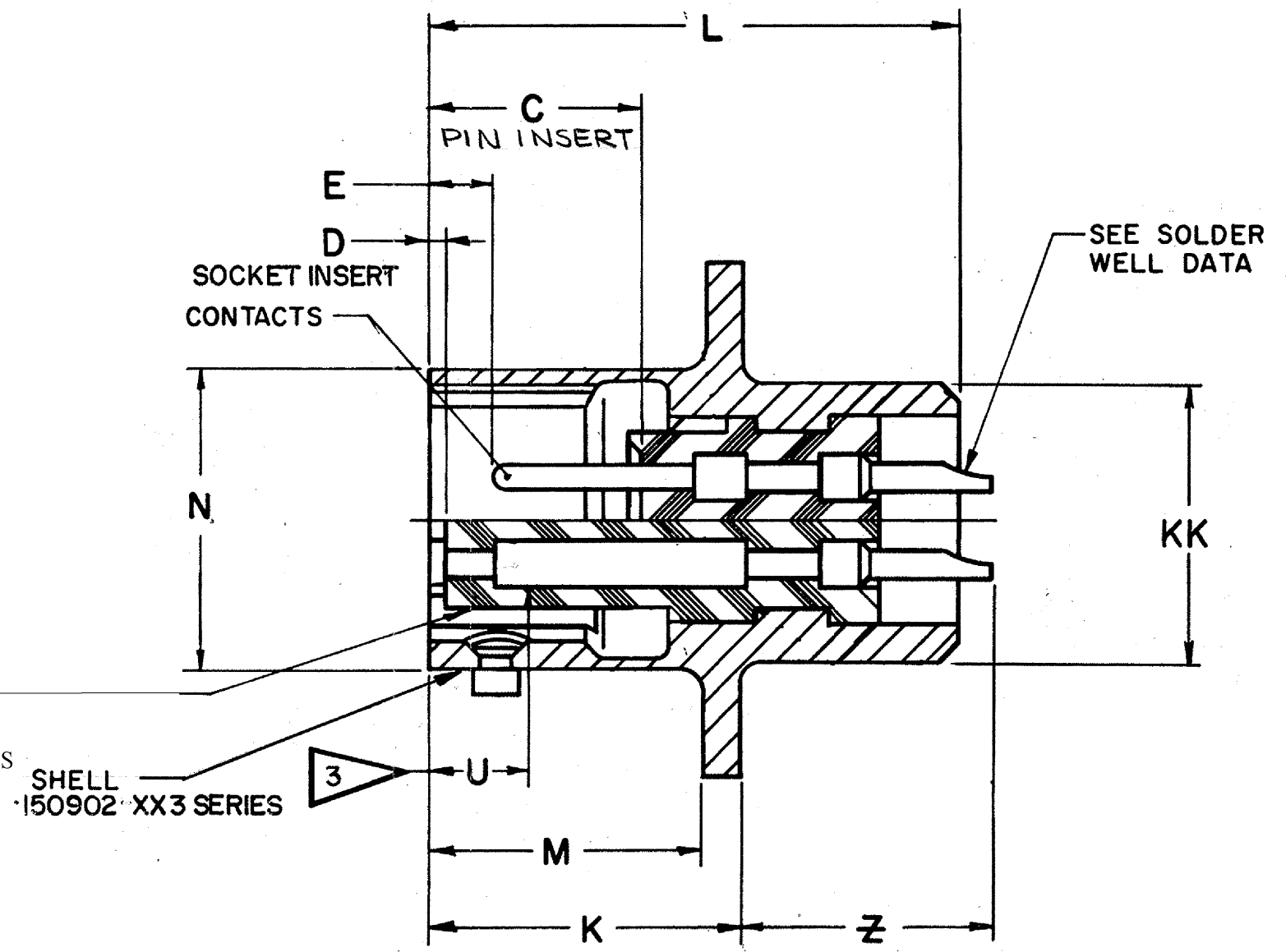
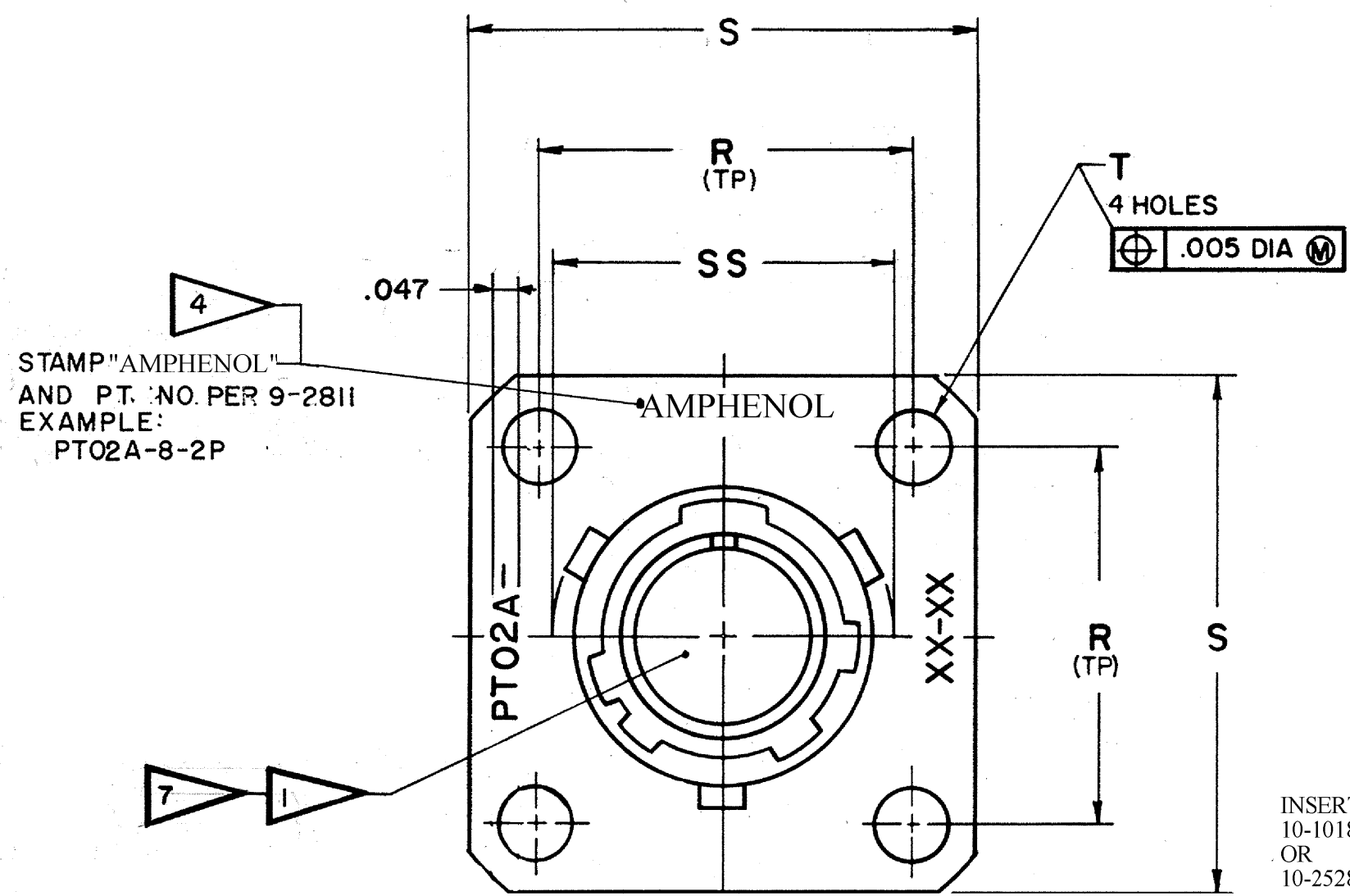


REL NO. 32508-147		REVISIONS		
CHG NO.	SYM	DESCRIPTION	DATE	APPROVED
45525-218	A1	REDRAWN SAME SIZE; REV. DATA (MFG)	9-10-65	Harrison
45525-1135	A2	STANDARDIZED	8-12-66	B. Roman
54525-85	A3	WAS E PIN INSERT; ADD. PIN INSERT (C)	1-10-73	Randall
98879	B	(CL II) ADDED 10-252806/824-XX3 SERIES TO INSERT IDENTIFICATION NOTE	12-2-06	JONES



ACCESSORIES
(NOT PART OF STANDARD ASSEMBLY)

SEE DRAWING
10-150000

USE OF THIS DOCUMENT IS UNLIMITED. DOCUMENTS REFERENCED HEREON CONTAIN LIMITED RIGHTS DATA.

ITEM NO.	QTY REQD	DESCRIPTION	PART NUMBER	CODE IDENT	ZONE	NEXT ASSEMBLY
PARTS LIST						
UNLESS OTHERWISE SPECIFIED			DRAWN: NICHOLS	DATE: 1-11-57	THE Bendix CORPORATION SCINTILLA DIVISION SIDNEY, NEW YORK, U.S.A.	
LINEAR DIMENSIONS ARE IN INCHES. TOLERANCES: 3 PLACES ±.010; 2 PLACES ±.03; 1 PLACE ±.1; ANGLES ±2°. OTHER STANDARDS PER SCINTILLA SPEC 9-3800 AND MIL-STD 8.			CHECKED: Keelon	DATE: 10-28-65		
MATERIAL SPEC			MATERIAL:	TITLE:		
PROCESS SPEC SEE SHEET 2			STANDARDS: J. Balantei 10-29-65	CONNECTOR, ELECTRICAL RECEPTACLE, TYPE PT-A ()FB, OLIVE DRAB		
			DRAFTING: Dweet 10-29-65 A.H.	CODE IDENT NO. 77820	SIZE C	71-146206 THRU 71-146250
			ENGINEERING: W. W. Harrison 11-1-65	SCALE NONE	WT	REF SHEET 1 OF 2
			DEVELOPMENT: [Signature] 10-27-65			

SEE SHEET 2

NOTES: REF SYMBOL

71-146206/50

ASSEMBLY NUMBER	PT NO.	C +.010 -.025	D +.010 -.025	E +.010 -.020	K +.021 -.010	L ±.031	M +.010 -.000	N DIA +.001 -.005	R (TP)	S +.011 -.010	T DIA ±.005	U MAX	Z +.040 -.050	SS DIA +.000 -.016	KK DIA +.011 -.000
71-146206-	02A-6-	.337	.025	.085	.493	.743	.431	.348	.469	.688	.120	.153	.394	.439	.312
71-146208-	-8-							.473	.594	.812				.563	.438
71-146210-	-10-							.590	.719	.938				.680	.562
71-146212-	-12-							.750	.812	1.031				.859	.688
71-146214-	-14-							.875	.906	1.125				.984	.812
71-146216-	-16-							1.000	.969	1.219				1.108	.938
71-146218-	-18-							1.125	1.062	1.312				1.233	1.062
71-146220-	-20-	.399	.087	.147	.650	.994	.556	1.250	1.156	1.438		.215	.455	1.358	1.188
71-146222-	-22-				.650	.994	.556	1.375	1.250	1.562			.455	1.483	1.312
71-146224-	-24-				.683	1.027	.589	1.500	1.375	1.688	.147		.422	1.610	1.438
71-146225/50		NOT AVAILABLE													

5

- FOR CONTACT ARRANGEMENTS, SEE L-15206/50.
- UNITS ILLUSTRATED MEET THE MATERIAL & FINISH REQUIREMENTS OF MIL-C-26482.
- FOR COMPLETE ASSEMBLY NO. & PT NO., ADD APPLICABLE INSERT ARRANGEMENT SUFFIX TO BASE NUMBERS LISTED ABOVE PER 9-2437-1.
- STAMPING MAY BE ON EITHER SIDE OF FLANGE (ONE SIDE ONLY).
- DISTANCE BETWEEN END OF SHELL & THE POINT AT WHICH A GAGE PIN, HAVING THE SAME BASIC DIAMETER AS THE MATING CONTACT & A SQUARE FACE, ENGAGES SOCKET CONTACT SPRING.
- SEE DRAWING 71-146606/50 FOR REQUIRED MATING PLUG ASSEMBLIES.
- INSERTS & CONTACTS MUST NOT BE REMOVED.

- FOR ASSEMBLY NUMBERS 71-146214-91; 71-146218-80; 71-146218-90; 71-146218-91; 71-146220-90; 71-146222-4; 71-14622-7. SEE INDIVIDUAL DRAWINGS.
- FOR COMPONENT PART NUMBERS OF DESIRED ARRANGEMENT, SEE APPLICABLE PARTS LIST.
- SEE WORK ORDER FOR PERMISSIBLE ADDITIONAL OR ALTERNATE STAMPING.

NOTES: REF SYMBOL 

SOLDER WELL DATA		
CONTACT SIZE	20	16
WELL DIA	.046 ^{+0.004} _{-0.000}	.078 ^{+0.004} _{-0.002}
WELL DEPTH	^{+0.031} _{-0.000}	.125 .188

THERMOCOUPLE CONTACT DATA (WHERE APPLICABLE)	
MATERIAL	IDENTIFICATION
CHROMEL	WHITE
ALUMEL	GREEN
IRON	BLACK
CONSTANTAN	YELLOW

ITEM NO.	QTY REQD	DESCRIPTION	PART NUMBER	CODE IDENT	ZONE
PARTS LIST					
UNLESS OTHERWISE SPECIFIED			DRAY NICHOLS	DATE 1-11-57	
LINEAR DIMENSIONS ARE IN INCHES. TOLERANCES: 3 PLACES ±.010; 2 PLACES ±.03; 1 PLACE ±.1; ANGLES ±2°. OTHER STANDARDS PER SCINTILLA SPEC 9-3800 AND MIL-STD 8.			CHECKED: Tealon	DATE 10-28-65	
MATERIAL SPEC	PROCESS SPEC TEST 9-3980-2 ASSY 9-3443 9-2437-1	STANDARDS: J. Balantini 10-29-65	DRAFTING: Sweet 10-29-65 A.H.	ENGINEERING: W. M. Harris 11-1-65	DEVELOPMENT: Sweet 10-27-65
	9-2811				
			THE Bendix CORPORATION		
			SCINTILLA DIVISION SIDNEY, NEW YORK, U.S.A.		
			CONNECTOR, ELECTRICAL RECEPTACLE, TYPE PT-A ()FB, OLIVE DRAB		
CODE IDENT NO.	SIZE	71-146206 THRU 71-146250			
77820	C				
SCALE NONE	WT.	REF.	SHEET 2		

71-146206/50

X-ON Electronics

Largest Supplier of Electrical and Electronic Components

Click to view similar products for [Circular MIL Spec Connector](#) category:

Click to view products by [Amphenol](#) manufacturer:

Other Similar products are found below :

[89075GULPR](#) [0025-264-3014](#) [58-570121-04S](#) [58-584653-12P](#) [0134-213-1007](#) [0134-213-1208](#) [0134-213-2209](#) [0025-258-000](#) [60-042022-02P](#) [60-042022-19P](#) [60-042022-23P](#) [60-042217-10P](#) [60-042217-11P](#) [012-0467-000](#) [602GB06EG24-61SN](#) [0134-201-1207](#) [0134-207-2009](#) [0134-213-1006](#) [6104-207-2302](#) [6104-208-1902](#) [6131-202-19149P](#) [6131-204-21149P](#) [6131-207-13149P](#) [6131-208-13149P](#) [6131-209-17149P](#) [6131-210-11149P](#) [6131-211-19149P](#) [6131-216-19149P](#) [6131-220-25149P](#) [6131-259-11149P](#) [6131-259-21149P](#) [6131-259-23149P](#) [6131-263-19149P](#) [6131-265-17149P](#) [6131-265-19149P](#) [6134-203-21149](#) [CS3100A18-1P-472](#) [CS3100A-36-77S](#) [CS3101A36-79S-SR](#) [CS3102A-10SL-53P](#) [CS3102A10SL-64S](#) [CS3102A-18-1P116](#) [CS3102A-20-15S](#) [CS3102A-22-70S](#) [CS3102A-24-79S](#) [CS3102A24-AJS](#) [CS3102A-32-17P](#) [CS3102A32-25S](#) [CS3102A-36-78S](#) [CS3106A10SL3S004](#)