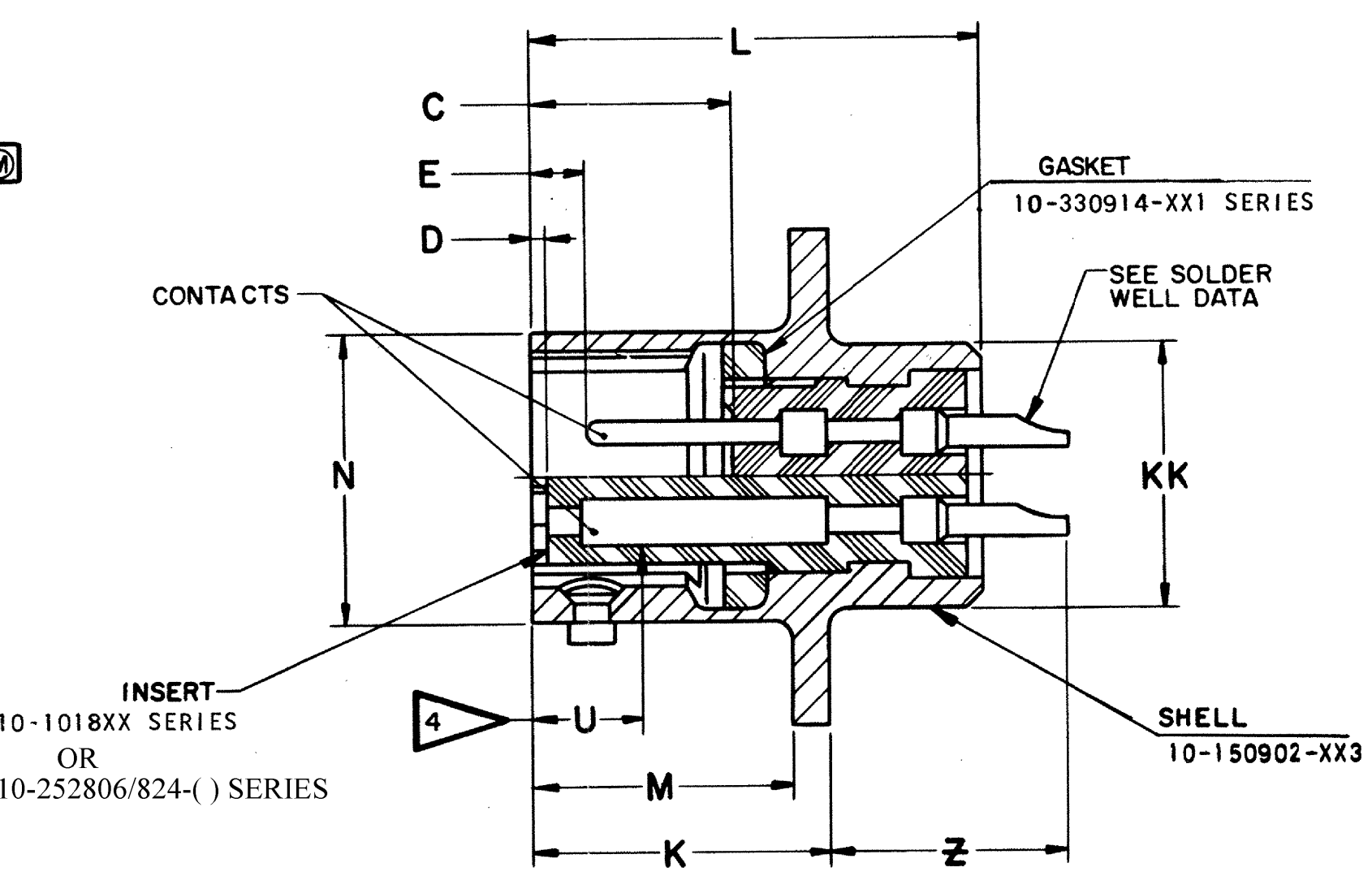
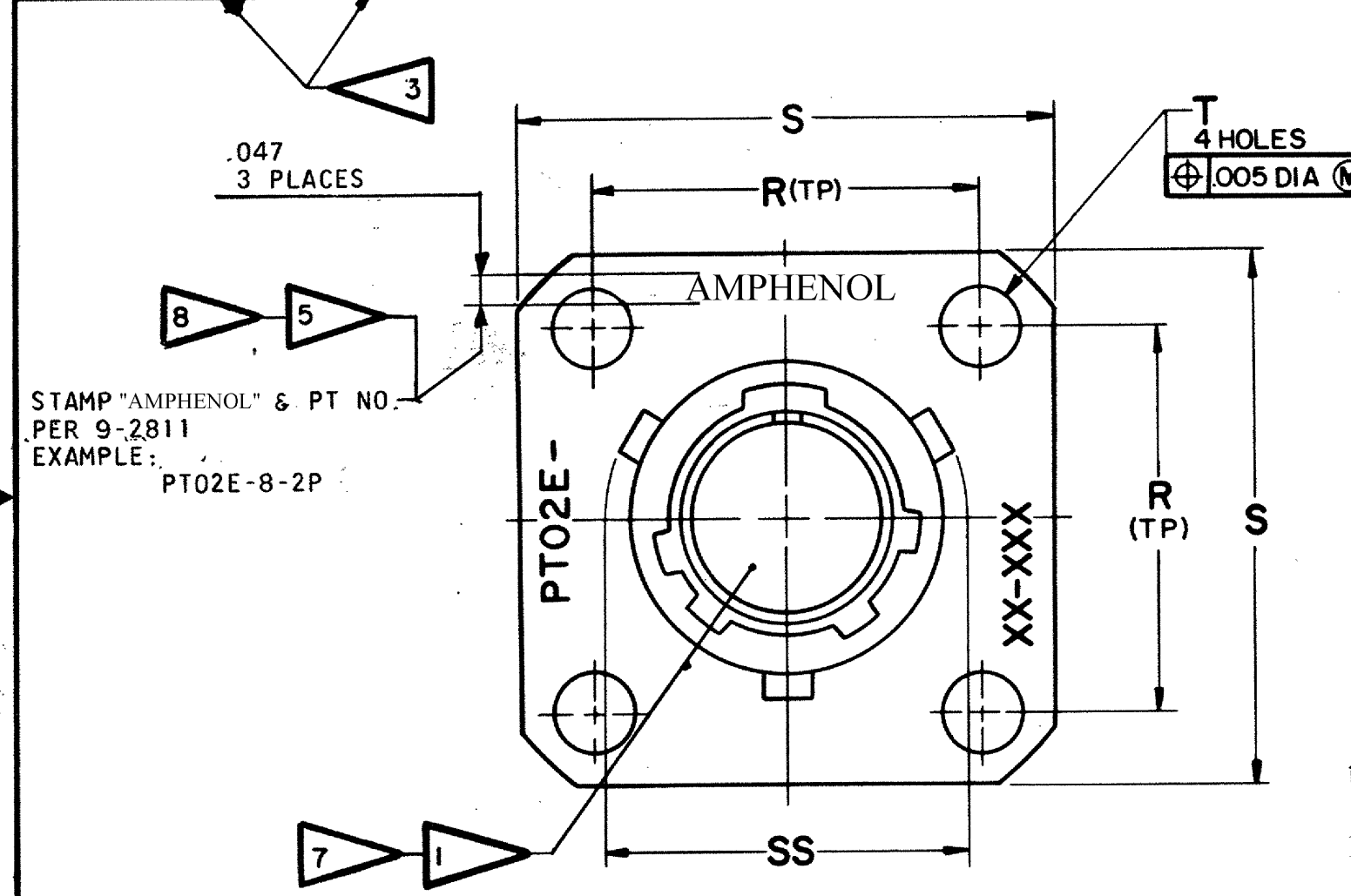


ASSEMBLY NUMBER	PT NO.	C	D	E	K	L	M	N	R	S	T	U	Z	KK	SS
		+010 -025	+010 -025	+010 -020	+021 -010	±.031	+010 -000	DIA +001 -005	(TP)		±.005	MAX	+040 -050	+010 -000	+000 -016
71-148206 -	02E-6 -	.337	.025	.085	.493	.743	.431	.348	.469	.688	.120	.153	.394	.312	.439
71-148208 -	-8 -							.473	.594	.812				.438	.563
71-148210 -	-10 -							.590	.719	.938				.562	.680
71-148212 -	-12 -							.750	.812	1.031				.688	.859
71-148214 -	-14 -							.875	.906	1.125				.812	.984
71-148216 -	-16 -							1.000	.969	1.219				.938	1.108
71-148218 -	-18 -							1.125	1.062	1.312				1.062	1.233
71-148220 -	-20 -	.399	.087	.147	.650	.994	.556	1.250	1.156	1.438		.215	.455	1.188	1.358
71-148222 -	-22 -				.650	.994	.556	1.375	1.250	1.562			.455	1.312	1.483
71-148224 -	-24 -				.683	1.027	.589	1.500	1.375	1.688	.147		.422	1.438	1.610
71-148225/50		NOT AVAILABLE													

REL NO. 32508-137		REVISIONS		
CHG NO.	SYM	DESCRIPTION	DATE	APPROVED
43525-795	A2	REDRAWN SAME SIZE; PROVIDED ENVELOPE DWG	11-24-64	W. GAY
43525-1205	A3	WAS 02E-22-7P & -7S (10-148222-7P & S)	9-15-65	A. HANNI
47525-786	A4	ADDED MFG. & COMPONENT DATA, ADDED THERMOCOUPLE DATA BLOCK; DELETED SHEET 2	5-23-67	MATTICE
98909	B	(CL II) ADDED 10-252806/824-()	12-2-06	JONES



CONTACT DATA (WHERE APPLICABLE)	
THERMOCOUPLE	
MATERIAL	IDENTIFICATION
CHROMEL	WHITE
ALUMEL	GREEN
IRON	BLACK
CONSTANTAN	YELLOW

INSERT ARRANGEMENTS CONTAINING THERMOCOUPLE CONTACTS MUST HAVE SUCH CONTACTS ASSEMBLED INTO THE INSERT IN PROPER LOCATIONS AS SPECIFIED BY APPLICABLE DRAWINGS L-15206-() THRU L-15250-().

1. INSERTS & CONTACTS MUST NOT BE REMOVED
2. FOR MATING PLUG ASSEMBLIES, SEE DRAWING 71-148606/50 & OTHERS
3. TO COMPLETE ASSY NO., & PT NO., ADD APPLICABLE INSERT ARRANGEMENT SUFFIX TO BASE NUMBER LISTED ABOVE PER 9-2437-1.
4. DISTANCE BETWEEN END OF SHELL & THE POINT AT WHICH A GAGE PIN, HAVING THE SAME BASIC DIAMETER AS THE MATING CONTACT & A SQUARE FACE, ENGAGES SOCKET CONTACT SPRING.
5. STAMPING MAY BE ON EITHER SIDE OF FLANGE (ONE SIDE ONLY).
6. UNITS ILLUSTRATED MEET THE MATERIAL & FINISH REQUIREMENTS OF MIL-C-26482
7. FOR CONTACT ARRANGEMENTS, SEE DRAWINGS L-15206-() THRU L-15250-()
8. SEE WORK ORDER FOR PERMISSIBLE ADDITIONAL OR ALTERNATE STAMPING.
9. FOR COMPONENT PART NUMBERS OF DESIRED ASSEMBLY NO., SEE APPLICABLE PARTS LIST.

SOLDER WELL DATA			
CONTACT SIZE	20	16	
WELL DIA	.046 +004 -000	.078 +004 -002	
WELL DEPTH	+031 -000	.125	.188

**ACCESSORIES**  
(NOT PART OF STANDARD ASSEMBLY)

SEE DRAWING  
10-150000

ITEM NO.	QTY REQD	DESCRIPTION	PART NUMBER	CODE IDENT	ZONE	NEXT ASSEMBLY
PARTS LIST						
UNLESS OTHERWISE SPECIFIED			DRAWN: I WARD	DATE: 1-9-57	THE Bendix CORPORATION SCINTILLA DIVISION SIDNEY, NEW YORK, U.S.A.	
LINEAR DIMENSIONS ARE IN INCHES. TOLERANCES: 3 PLACES ±.010; 2 PLACES ±.03; 1 PLACE ±.1; ANGLES ±2°. OTHER STANDARDS PER SCINTILLA SPEC 9-3800 AND MIL-STD 8.			CHECKED: Slawson	DATE: 4-14-65	TITLE: CONNECTOR, ELECTRICAL RECEPTACLE, TYPE PT-E ( ) FB, OLIVE DRAB	
MATERIAL SPEC	PROCESS SPEC	STANDARDS: J. Balantieri 4-14-65	ENGINEERING: J. M. Garrison 4-14-65	DEVELOPMENT: L. L. ...	CODE IDENT NO. 77820	SIZE C
	TEST 9-3980-1 ASSY 9-3605 9-2437-1				71-148206 THRU 71-148250	
	9-2811				SCALE NONE	WT REF SHEET

## X-ON Electronics

Largest Supplier of Electrical and Electronic Components

*Click to view similar products for [Circular MIL Spec Connector](#) category:*

*Click to view products by [Amphenol](#) manufacturer:*

Other Similar products are found below :

[89075GULPR](#) [0025-262-542](#) [0025-264-3014](#) [58-570121-04S](#) [0134-213-1208](#) [0134-213-2209](#) [0025-258-000](#) [60-042022-07P](#) [60-042022-19P](#)  
[60-042022-23P](#) [60-042217-10P](#) [60-042217-11P](#) [0114-201-1278](#) [012-0467-000](#) [602GB06EG24-61SN](#) [0134-201-1207](#) [0134-213-1006](#) [6104-](#)  
[207-2302](#) [6104-208-1902](#) [61-168211-04P](#) [61-168617-10P](#) [6131-202-19149P](#) [6131-204-21149P](#) [6131-208-13149P](#) [6131-209-17149P](#) [6131-](#)  
[210-11149P](#) [6131-211-19149P](#) [6131-216-19149P](#) [6131-259-21149P](#) [6131-259-23149P](#) [6131-265-17149P](#) [6131-265-19149P](#) [CS3100A18-1P-](#)  
[472](#) [CS3100A-36-77P](#) [CS3101A-16-55P](#) [CS3102A-10SL-55P](#) [CS3102A-14S-58P](#) [CS3102A-18-1P116](#) [CS3102A-32-17P](#) [CS3102A32-25S](#)  
[CS3102C18-4P-472](#) [CS3106A10SL3S004](#) [CS3106A-18-73S](#) [CS3108A-14S-52S](#) [CS3108A-28-51S](#) [6162-233-1277](#) [6162-324-1231](#)  
[M243082296Z](#) [M2884010AC1S1](#) [CT0-24-10SC](#)