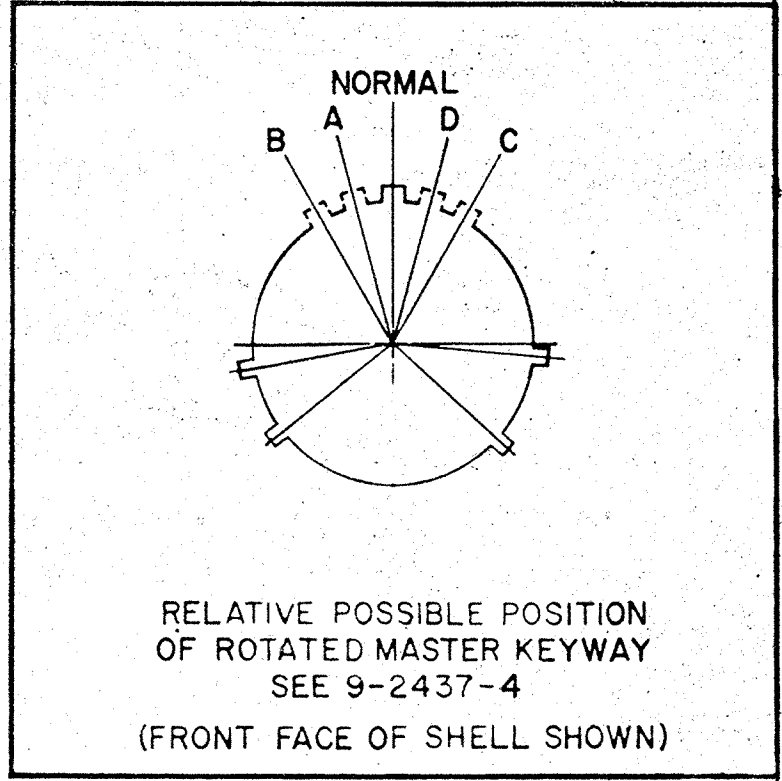
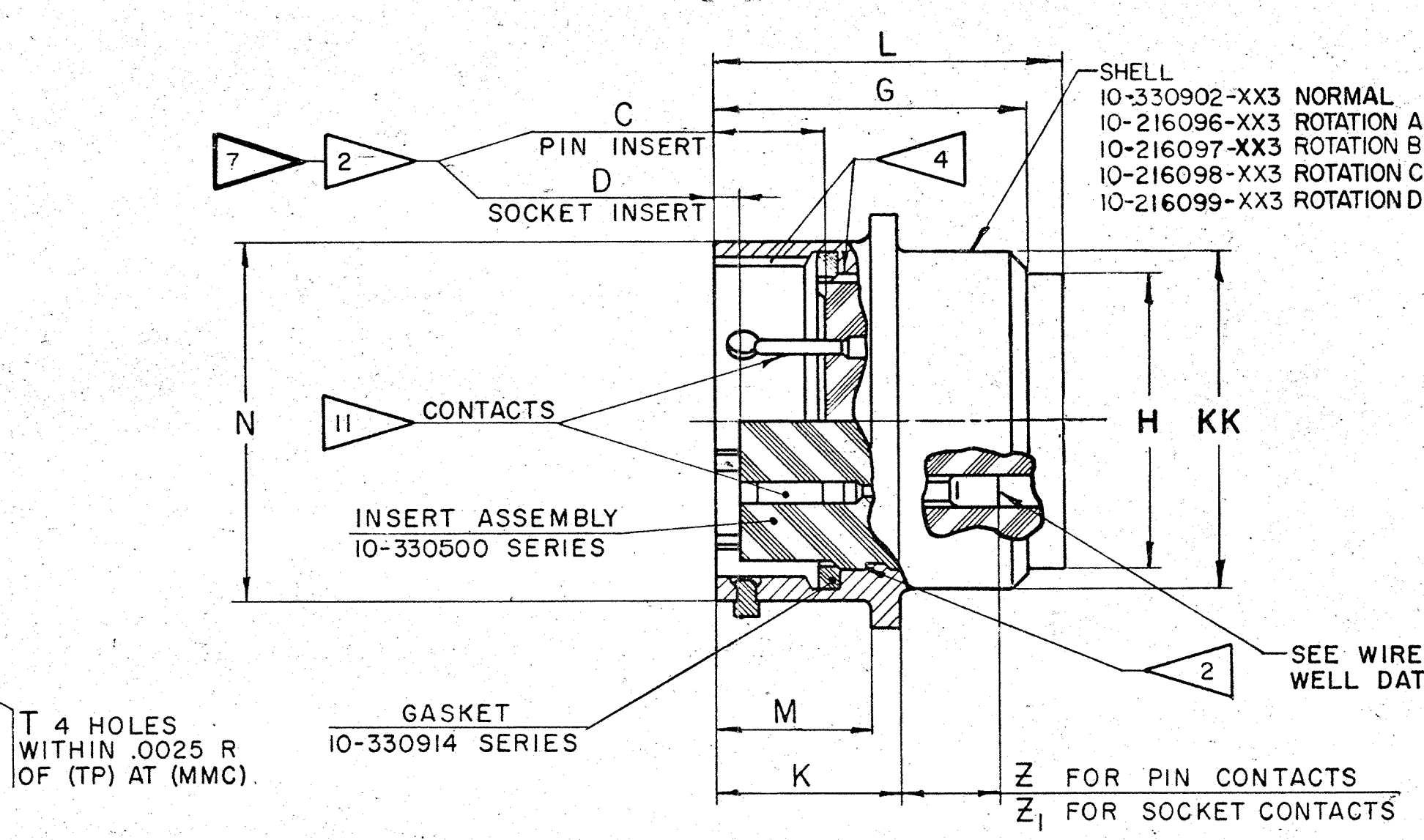
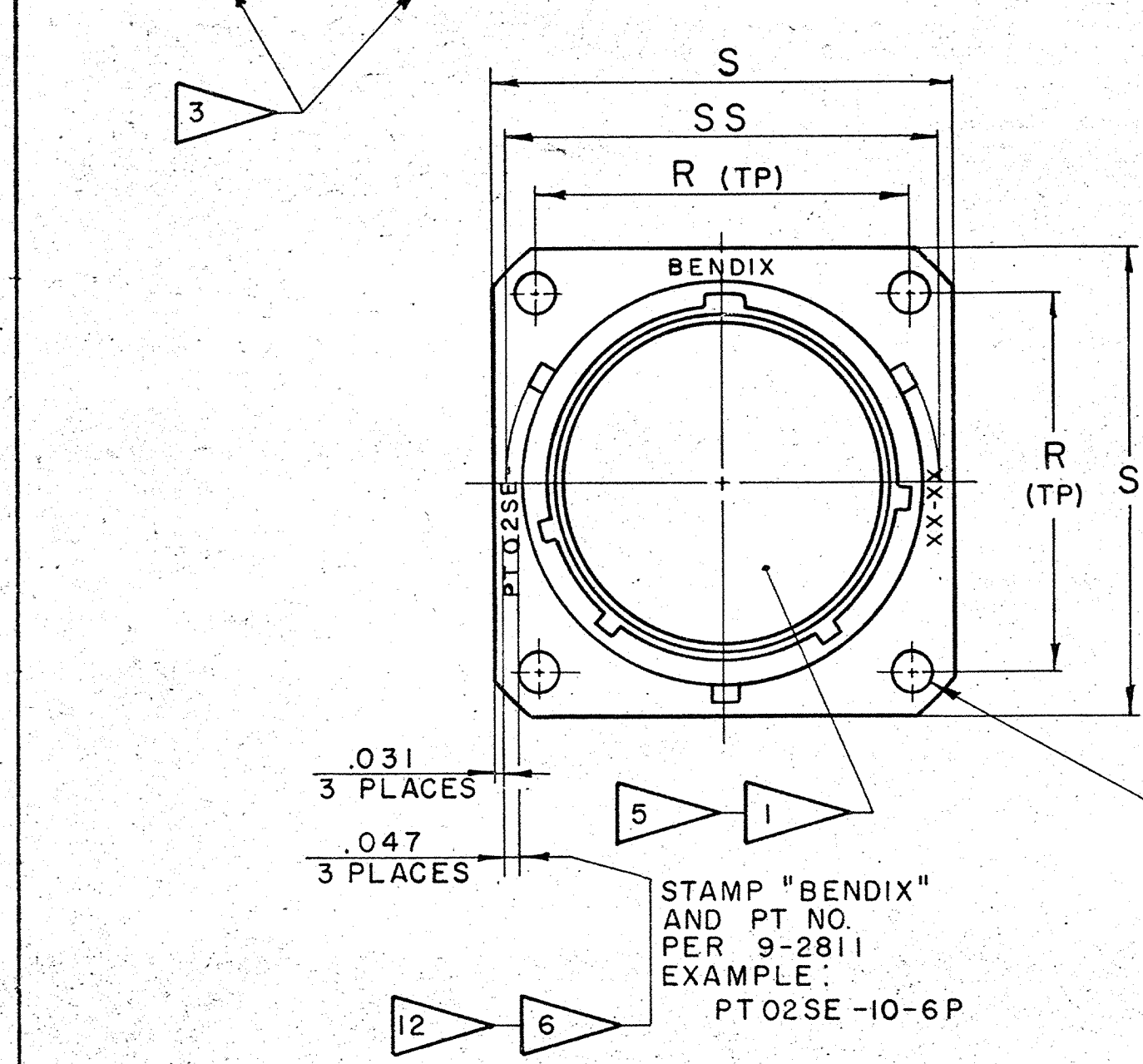


ASSEMBLY NUMBER	PT-SE NUMBER	DIMENSIONS														
		C ±.000 -.020	D ±.000 -.020	G ±.025 -.020	H DIA MAX	K ±.025 -.010	L MAX	M ±.010 -.000	N DIA ±.001 -.005	R (TP)	S ±.016	T DIA ±.005	Z ±.055	Z <sub>1</sub> ±.055	KK DIA ±.011 -.000	SS DIA ±.000 -.016
71-331206-	02SE-6-	NOT AVAILABLE														
71-331208-	-8-	.332	.025	.743	.297	.493	1.328	.431	.473	.594	.812	.120	.509	.448	.438	.563
71-331210-	-10-				.421		1.266		.590	.719	.938				.562	.680
71-331212-	-12-				.546				.750	.812	1.031				.688	.859
71-331214-	-14-				.663				.875	.906	1.125				.812	.984
71-331216-	-16-				.788				1.000	.969	1.219				.938	1.108
71-331218-	-18-				.879				1.125	1.062	1.312				1.062	1.233
71-331220-	-20-	.394	.087	.994	1.014	.650	1.328	.556	1.250	1.156	1.438		.414	.353	1.188	1.358
71-331222-	-22-			.994	1.135	.650		.556	1.375	1.250	1.562		.414	.353	1.312	1.483
71-331224-	-24-			1.058	1.259	.683		.589	1.500	1.375	1.688	.147	.381	.320	1.438	1.612
71-331225/50		NOT AVAILABLE														

REL NO. 36502-358		REVISIONS			COMM REC
CHG NO.	SYM	DESCRIPTION	DATE	APPROVAL	
		FOR CHANGES 1 THRU A5, SEE RECORD DRAWING			
59847	B	(MFG) ADDED NOTE 15	8-9-78 L. HALL	<i>[Signature]</i>	



- NOTES:
- FOR CONTACT ARRANGEMENTS & COAXIAL CONTACT DATA, SEE DRAWINGS L-15206-() THRU L-15250-().
  - DIMENSIONS MUST BE MAINTAINED WHEN INSERTS ARE PRESSED FIRMLY AGAINST INDICATED SHOULDER.
  - TO COMPLETE ASSEMBLY NO. & PT-SE NO., ADD APPLICABLE INSERT ARRANGEMENT SUFFIX TO BASE NUMBERS LISTED ABOVE PER 9-2437-1 OR 9-2437-4.
  - VERTICAL CENTERLINES OF INSERT ARRANGEMENT & THE MAIN SHELL POLARIZING KEYWAY TO BE WITHIN .005 OF INDICATED ROTATION PER 9-2437-1.
  - INSERT ASSEMBLIES ARE NOT REMOVABLE.
  - SEE WORK ORDER FOR PERMISSIBLE ADDITIONAL OR ALTERNATE STAMPING.
  - INSERT LOCATING DIMENSIONS APPLY BEFORE ASSEMBLY OF CONTACTS.
  - FOR COMPONENT PART NUMBERS OF DESIRED ARRANGEMENT, SEE APPLICABLE PARTS LIST (PL).
  - SEE DRAWING 71-331606/50 & OTHERS FOR REQUIRED MATING PLUG ASSEMBLY.
  - STAMPING MAY BE ON EITHER SIDE OF FLANGE (ONE SIDE ONLY).
  - PLACE CONTACTS IN AN APPLICABLE POLYETHYLENE BAG 10-215999 SERIES (SEE PARTS LIST) & INCLUDE IN A POLYETHYLENE BAG CONTAINING CONNECTOR.
  - UNITS ILLUSTRATED MEET THE MATERIAL & FINISH REQUIREMENTS OF MIL-C-26482.
  - FOR FINAL INSTALLATION, CONTACTS MUST BE ASSEMBLED INTO ALL INSERT HOLES.
  - SEE INDIVIDUAL DRAWINGS FOR 71-331214-22, 71-331214-91, 71-331218-91 & 71-331222-96.

WIRE WELL DATA			
CONTACT SIZE	20	16	
CONDUCTOR WELL DIA	.048 +.002 -.000	.066 +.002 -.000	
CONDUCTOR WELL DEPTH	.184 +.037 -.000	.234 +.031 -.000	
INSULATION WELL DIA	.091 +.002 -.000	NOT AVAILABLE	COAXIAL DATA
INSULATION WELL DEPTH	.077 +.006 -.000	NOT AVAILABLE	SEE NOTE 1

USE OF THIS DOCUMENT IS UNLIMITED. DOCUMENTS REFERENCED HEREON CONTAIN LIMITED RIGHTS DATA.

ACCESSORIES	
(NOT PART OF STANDARD ASSEMBLY)	
SEE DRAWING	10-150000

TEST 9-4039-1 ASSY 9-3836, 9-2437-19-2437-4 9-2811						
ITEM	REQD	PART NO	DESCRIPTION	UNIT WT	NEXT ASSY	USED ON
LIST OF MATERIAL						
UNLESS OTHERWISE SPECIFIED:						
1. TOLERANCES UNLESS OTHERWISE SPECIFIED:						
2. ALL LOCATIONS TOLERANCES APPLY AT MAXIMUM MATERIAL CONDITION (MMC):						
3. RADIUS FILLETS & BREAK EDGES .005-0.002						
4. DIMENSIONS TO CENTER UNLESS OTHERWISE SPECIFIED						
FOR DIMENSIONS INTERPRETATION SEE SPEC 9-2811						
ABBREVIATIONS & SYMBOLS						
ORIG ENG JOB NO 996						
DRAWN E. FLEMING DATE 12-19-60						
CHECKED Mero DATE 12-19-60						
MATERIAL SPEC HEAT TREAT SPEC						
FINISH SPEC						
SCALE NONE WT CALC (SEE ACT. PL) LBS 71-196-05/50						
DRAWING C TAB						

**Bendix**

SCINTILLA DIVISION  
BENDIX AVIATION CORPORATION  
SIDNEY, N. Y., U.S.A.

71-331206 THRU  
71-331250

CODE 77820

71-331206 THRU 71-331250

## X-ON Electronics

Largest Supplier of Electrical and Electronic Components

*Click to view similar products for [Circular MIL Spec Connector](#) category:*

*Click to view products by [Amphenol](#) manufacturer:*

Other Similar products are found below :

[89075GULPR](#) [0025-262-542](#) [0025-264-3014](#) [58-570121-04S](#) [0134-213-1208](#) [0134-213-2209](#) [0025-258-000](#) [60-042022-07P](#) [60-042022-19P](#)  
[60-042022-23P](#) [60-042217-10P](#) [0114-201-1278](#) [012-0467-000](#) [602GB06EG24-61SN](#) [0134-201-1207](#) [0134-213-1006](#) [6104-207-2302](#) [6104-](#)  
[208-1902](#) [61-168211-04P](#) [61-168617-10P](#) [6131-202-19149P](#) [6131-204-21149P](#) [6131-208-13149P](#) [6131-209-17149P](#) [6131-210-11149P](#) [6131-](#)  
[211-19149P](#) [6131-216-19149P](#) [6131-259-21149P](#) [6131-259-23149P](#) [6131-265-17149P](#) [6131-265-19149P](#) [CS3100A18-1P-472](#) [CS3100A-36-](#)  
[77P](#) [CS3101A-16-55P](#) [CS3102A-10SL-55P](#) [CS3102A-14S-58P](#) [CS3102A-32-17P](#) [CS3102A32-25S](#) [CS3102C18-4P-472](#)  
[CS3106A10SL3S004](#) [CS3106A-18-73S](#) [CS3108A-14S-52S](#) [CS3108A-28-51S](#) [6162-233-1277](#) [6162-324-1231](#) [M243082296Z](#)  
[M2884010AC1S1](#) [CT0-24-10SC](#) [CT0M20-7PCAU](#) [M28840/17AC1G3](#)