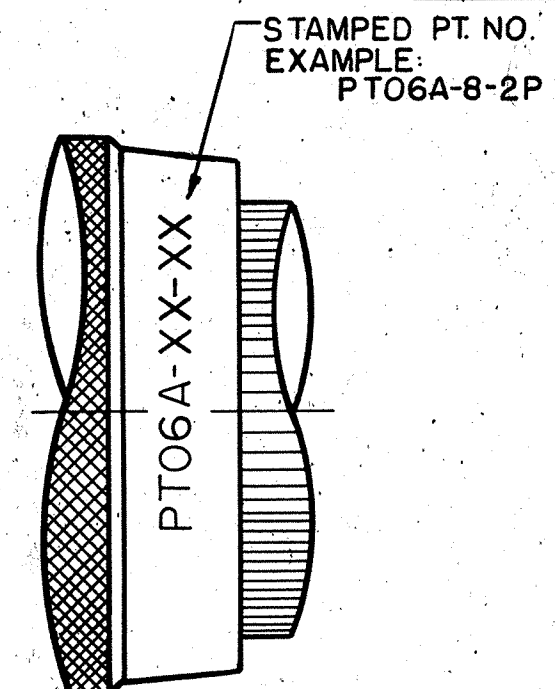
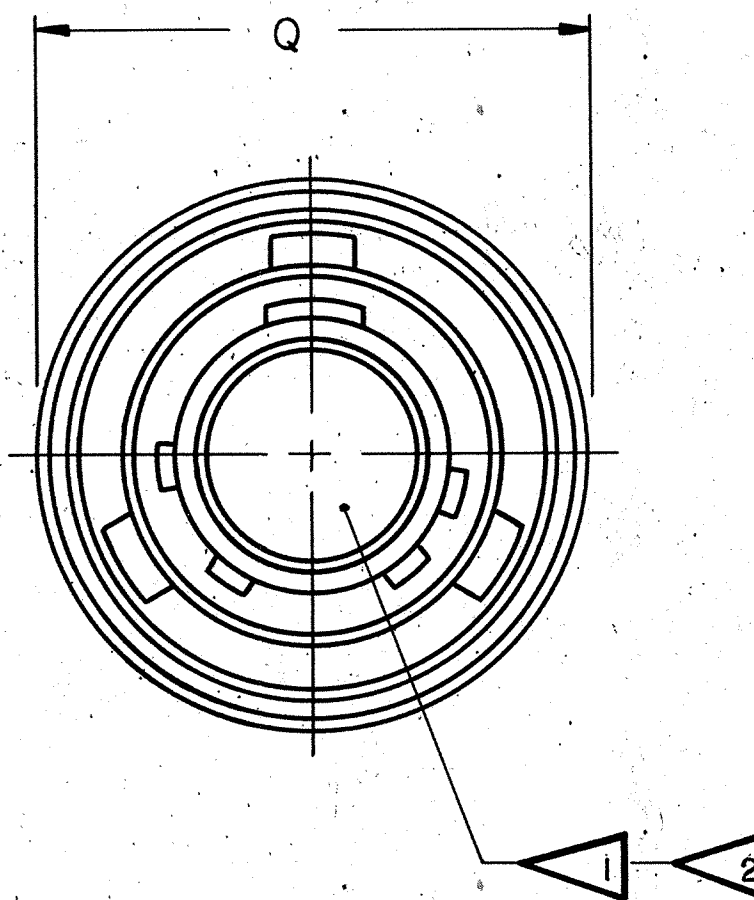
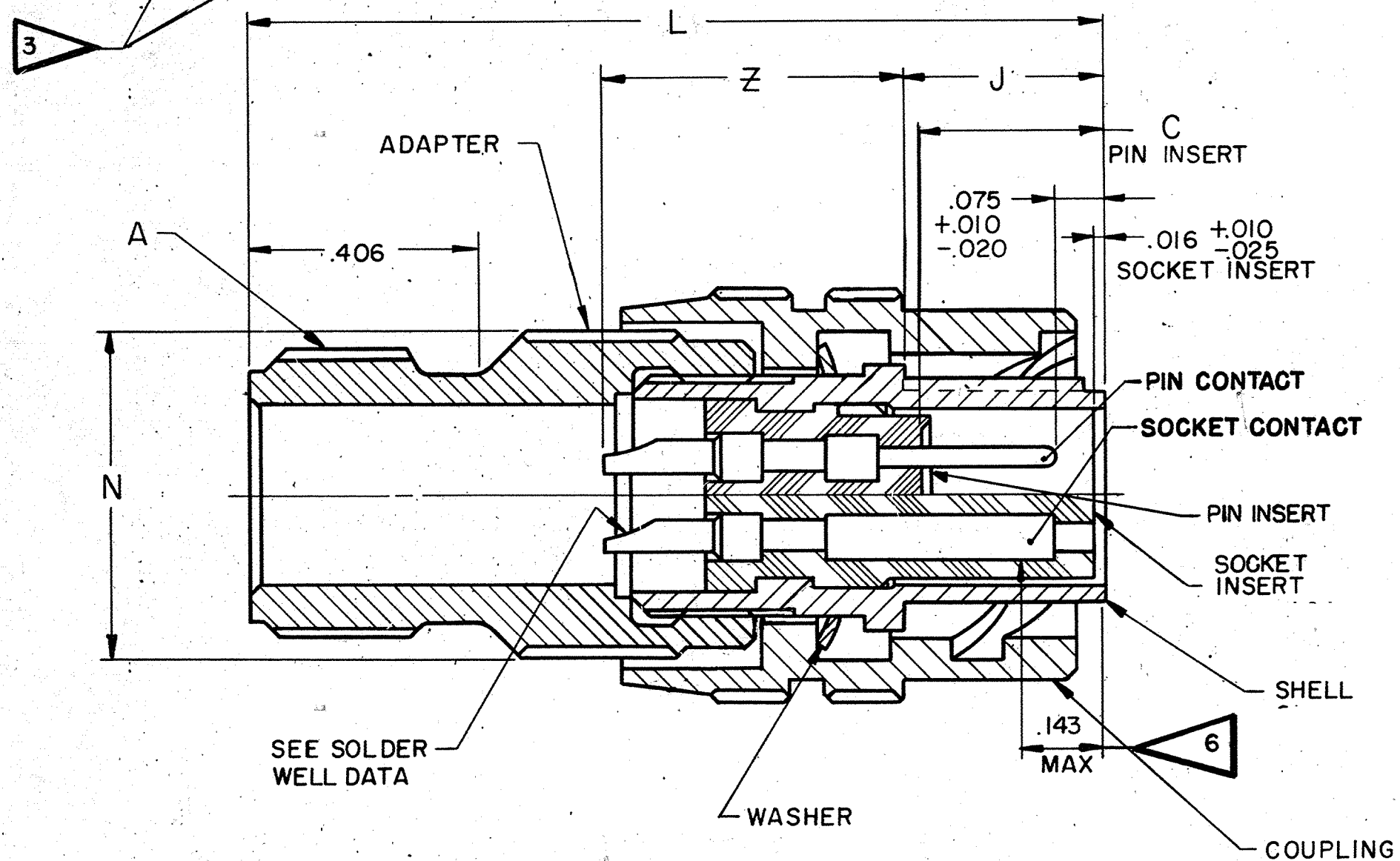


ASSEMBLY NUMBER	PT NO.	A THREAD (PLATED) CLASS 2A	C +.010 -.025	J	L +.031 -.047	N DIA +.000 -.031	Q +.000 -.047	Z ±.035
71-146606-	06A-6-	3750-32UNEF	.328	.353	1.516	.453	.609	.525
71-146608-	-8-	5000-28UNEF				.578	.734	
71-146610-	-10-	6250-24UNEF				.703	.844	
71-146612-	-12-	7500-20UNEF				.828	1.016	
71-146614-	-14-	8750-20UNEF				.968	1.141	
71-146616-	-16-	10000-20UNEF				1.078	1.266	
71-146618-	-18-	11875-18 UNEF				1.203	1.375	
71-146620-	-20-	11875-18 UNEF		.415	1.578	1.328	1.516	.619
71-146622-	-22-	14375-18 UNEF			1.578	1.453	1.641	
71-146624-	-24-	14375-18 UNEF			1.662	1.567	1.761	
71-146625/50-								

REL NO. 32508-136		REVISIONS		M	
CHG NO.	SYM	DESCRIPTION	DATE	APPROVED	
45525 -184	A1	REDRAWN SAME SIZE, REV. DATA (MFG);	9-9-65 LESUER		Harrison

ACCESSORIES (NOT PART OF STANDARD ASSEMBLY)	
SEE DRAWING 10-150000	
THERMOCOUPLE CONTACT DATA (WHERE APPLICABLE)	
MATERIAL	IDENTIFICATION
CHROMEL	WHITE
ALUMEL	GREEN
IRON	BLACK
CONSTANTAN	YELLOW



SOLDER WELL DATA		
CONTACT SIZE	20	16
WELL DIA	.046 $\pm$ .004 -.000	.078 $\pm$ .004 -.002
WELL DEPTH	$\pm$ .031 -.000	.125
		.188

1. INSERTS & CONTACTS MUST NOT BE REMOVED.
2. FOR CONTACT ARRANGEMENTS, SEE DRAWINGS L-15206-( ) THRU L-15250-( ).
3. TO COMPLETE ASSY NO. & PT NO. ADD APPLICABLE INSERT ARRANGEMENT SUFFIX TO BASE NUMBERS LISTED ABOVE PER 9-2437-1.
4. FOR MATING RECEPTACLE, SEE 71-146206/50 & OTHERS.
5. UNITS ILLUSTRATED MEET THE MATERIAL & FINISH REQUIREMENTS OF MIL-C-26482.
6. DISTANCE BETWEEN END OF SHELL & THE POINT AT WHICH A GAGE PIN, HAVING THE SAME BASIC DIAMETER AS THE MATING CONTACT & A SQUARE FACE, ENGAGES SOCKET CONTACT SPRING.

NOTES: REF SYMBOL  $\triangleleft$

PARTS LIST		NEXT ASSEMBLY	
UNLESS OTHERWISE SPECIFIED		DRAWN: PESSAGNO DATE: 1-14-67	
LINEAR DIMENSIONS ARE IN INCHES. TOLERANCES: 3 PLACES $\pm$ .010; 2 PLACES $\pm$ .03; 1 PLACE $\pm$ .1; ANGLES $\pm$ 2°. OTHER STANDARDS PER SCINTILLA SPEC 9-3800 AND MIL-STD 8.		CHECKED: Tealon DATE: 10-28-65	
MATERIAL SPEC.		MATERIAL:	
PROCESS SPEC TEST 9-3980-2 9-2437-1		STANDARDS: J. Balantia 10-29-65	
		DRAFTING: Dweet 10-29-65 A.H. RC	
		ENGINEERING: W.M. Harrison 11-1-65	
		DEVELOPMENT: Cuff 10-27-65	
		THE Bendix CORPORATION SCINTILLA DIVISION SIDNEY, NEW YORK, U.S.A.	
		TITLE: CONNECTOR, ELECTRICAL PLUG, TYPE PT-A( ) MC, OLIVE DRAB	
		CODE IDENT NO. 77820	SIZE C
		71-146606 THRU 71-146650	
		SCALE NONE	REF SHEET

## X-ON Electronics

Largest Supplier of Electrical and Electronic Components

*Click to view similar products for [Circular MIL Spec Connector](#) category:*

*Click to view products by [Amphenol](#) manufacturer:*

Other Similar products are found below :

[89075GULPR](#) [0025-262-542](#) [0025-264-3014](#) [58-570121-04S](#) [0134-213-1208](#) [0134-213-2209](#) [0025-258-000](#) [60-042022-07P](#) [60-042022-19P](#)  
[60-042022-23P](#) [60-042217-10P](#) [60-042217-11P](#) [0114-201-1278](#) [012-0467-000](#) [602GB06EG24-61SN](#) [0134-201-1207](#) [0134-213-1006](#) [6104-](#)  
[207-2302](#) [6104-208-1902](#) [61-168211-04P](#) [61-168617-10P](#) [6131-202-19149P](#) [6131-204-21149P](#) [6131-208-13149P](#) [6131-209-17149P](#) [6131-](#)  
[210-11149P](#) [6131-211-19149P](#) [6131-216-19149P](#) [6131-259-21149P](#) [6131-259-23149P](#) [6131-265-17149P](#) [6131-265-19149P](#) [CS3100A18-1P-](#)  
[472](#) [CS3100A-36-77P](#) [CS3101A-16-55P](#) [CS3102A-10SL-55P](#) [CS3102A-14S-58P](#) [CS3102A-18-1P116](#) [CS3102A-32-17P](#) [CS3102A32-25S](#)  
[CS3102C18-4P-472](#) [CS3106A10SL3S004](#) [CS3106A-18-73S](#) [CS3108A-14S-52S](#) [CS3108A-28-51S](#) [6162-233-1277](#) [6162-324-1231](#)  
[M243082296Z](#) [M2884010AC1S1](#) [CT0-24-10SC](#)