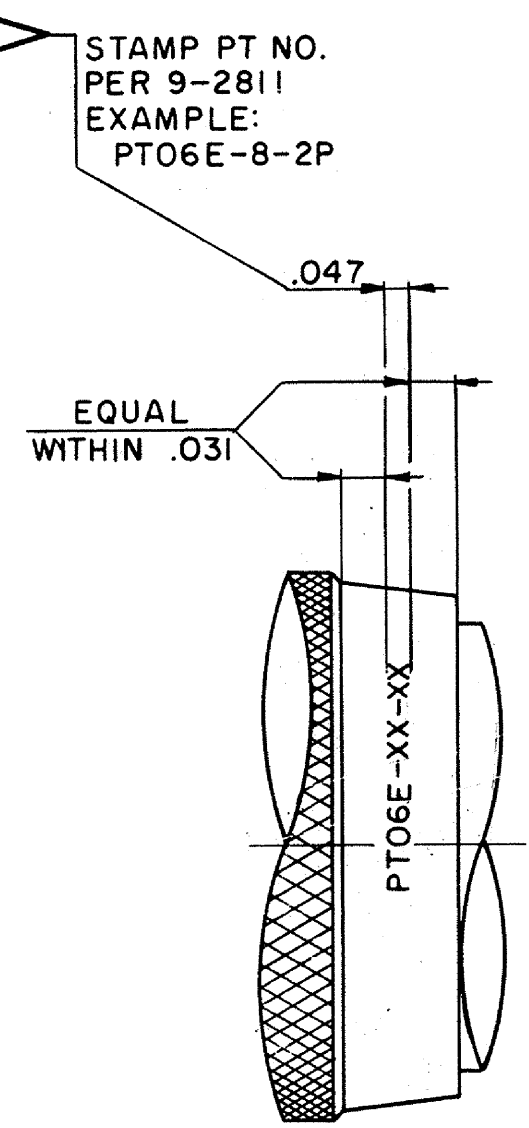
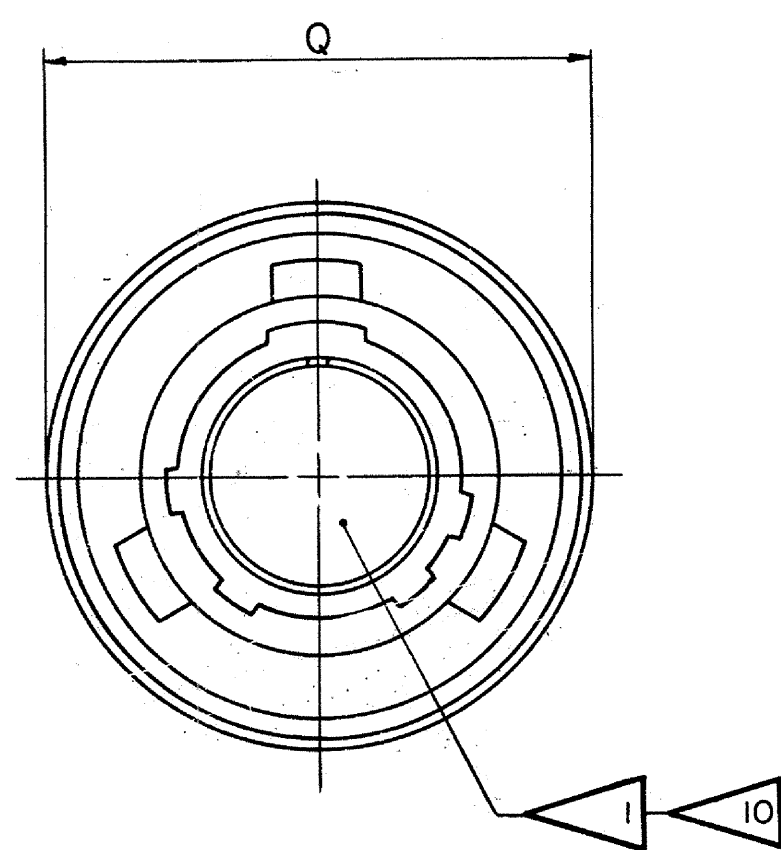
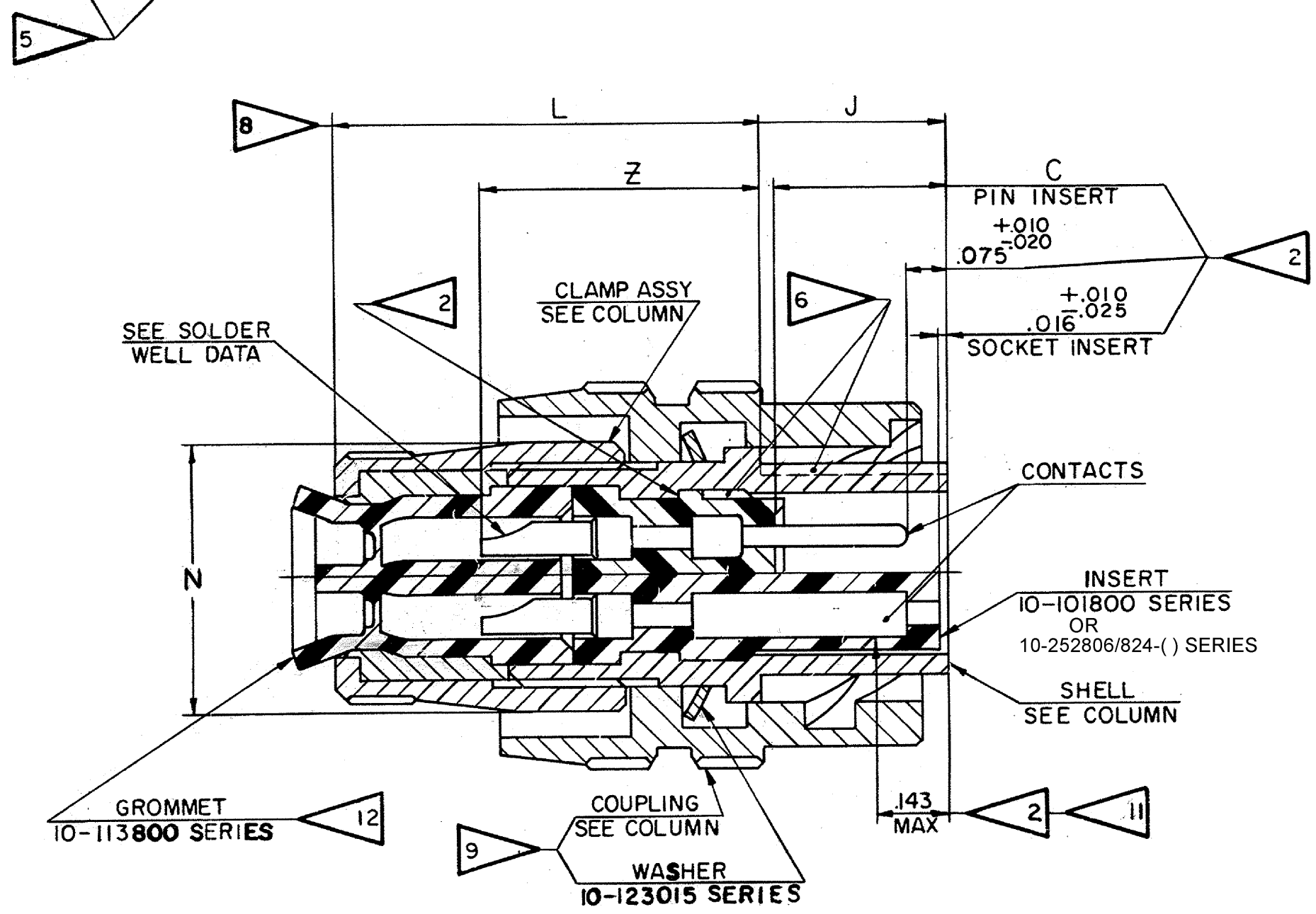


ASSEMBLY NUMBER	PT NO.	DETAILS			DIMENSIONS					
		SHELL	COUPLING	CLAMP ASSY	C +.010 -.025	J	L +.030 -.010	N DIA +.000 -.031	Q DIA +.000 -.047	Z ±.035
71-148606	06E-6	10-150906-63	10-123016-53	10-117930-63	.328	.353	.803	.440	.609	.525
71-148608	-8-	-83	-73	-83				.560	.734	
71-148610	-10-	-103	-93	-103				.685	.844	
71-148612	-12-	-123	-123	-123				.813	1.016	
71-148614	-14-	-143	-143	-143				.930	1.141	
71-148616	-16-	-163	-163	-163				1.057	1.266	
71-148618	-18-	-183	-183	-183				1.175	1.375	
71-148620	-20-	-203	-203	-203		.415	.928	1.301	1.516	.619
71-148622	-22-	-223	-223	-223			.928	1.430	1.641	
71-148624	-24-	-243	-243	-243			.990	1.555	1.761	
71-148625/50		NOT AVAILABLE								

**ACCESSORIES**  
(NOT PART OF STANDARD ASSEMBLY)

SEE DRAWING  
10-150000

REVISIONS		DATE	APPROVAL
CHG NO.	SYM	DESCRIPTION	
3551324	5	WAS: REDRAWN, SIZE DD; REMOVED BACK KEY; REV N DIA COL	6-22-59
36162-16	6	WAS TEST 9-3353-2 (PRO SPEC)	1-28-60
36545-20	7	WAS 10-123016-63, 83-103 (COUPLING); REV WASHER DATA (-6-8 8-10)	4-13-60
37525-148	8	REM "BENDIX" FROM STAMPING	11-1-60
	A	(CL II) SEE CHANGE NOTICE ECN: A4894	6/30/08



7. SEE WORK ORDER FOR PERMISSIBLE ADDITIONAL OR ALTERNATE STAMPING.
6. VERTICAL CENTERLINES OF INSERT ARRANGEMENT & THE MAIN SHELL POLARIZING KEY TO BE WITHIN .005 OF OF INDICATED ROTATION PER 9-2437-1.
5. TO COMPLETE ASSY NO. & PT NO., ADD APPLICABLE INSERT ARRANGEMENT SUFFIX TO BASE NUMBERS LISTED ABOVE PER 9-2437-1.
4. FOR COMPONENT PART NUMBERS OF DESIRED ARRANGEMENT, SEE APPLICABLE PARTS LIST.
3. MATES WITH RECEPTACLES 71-148006/50 & OTHERS.
2. DIMENSIONS MUST BE MAINTAINED WHEN INSERTS ARE PRESSED FIRMLY AGAINST INDICATED SHOULDER.
1. FOR CONTACT ARRANGEMENTS, SEE DRAWINGS L-15206-() THRU L-15250-().
- NOTES:
12. ALL UNUSED GROMMET HOLES TO BE FILLED WITH GROMMET SEALING ROD OR GROMMET SEALING PLUGS. SEE DRAWING 10-150000 (# 27 & # 28).
11. DISTANCE BETWEEN END OF SHELL & THE POINT AT WHICH A GAGE PIN, HAVING THE SAME BASIC DIAMETER AS THE MATING CONTACT & A SQUARE FACE, ENGAGES SOCKET CONTACT SPRING.
10. INSERTS & CONTACTS MUST NOT BE REMOVED.
9. COUPLING SLOTS & WASHER TO BE LUBRICATED PER 9-3502.
8. DIMENSION INDICATES FINAL INSTALLATION. FOR STORAGE & SHIPPING, SHELL & CLAMP ASSEMBLY MUST BE LOOSELY COUPLED.

SOLDER WELL DATA			
CONTACT SIZE	20	16	
WELL DIA	.046 <sup>+.004</sup> <sub>-.000</sub>	.078 <sup>+.004</sup> <sub>-.002</sub>	
WELL DEPTH	.125 <sup>+.031</sup> <sub>-.000</sub>	.188	

PROCESS SPEC TEST 9-3980-2 ASSY 9-3443-2,9-2437-1 9-3502,9-2811		LIST OF MATERIAL		APPLICATION	
UNLESS OTHERWISE SPECIFIED 1. TOLERANCES: LINEAR .000, .010, .005, .02, 0.1 ANGULAR .2 2. ALL LOCATION TOLERANCES APPLY AT MAXIMUM MATERIAL CONDITION (MMC) 3. RADIUS FILLETS & BREAK EDGES .005, 0.1 4. CONCENTRICITY .015 TIR REGARDLESS OF SIZE FOL: DRAWING INTERPRETATION SEE SPEC 9-3800		ABBREVIATIONS & SYMBOLS (MMC) MAXIMUM MATERIAL CONDITION (TP) TRUE POSITION		TITLE: CONNECTOR, ELECTRICAL PLUG, TYPE PTE (JMC), OLIVE DRAB	
MATERIAL SPEC		HEAT TREAT SPEC		FINISH SPEC	
ORIG ENG JOB NO. 54G		DRAWN: VIMISLIK		DATE: 1-11-57	
CHECKED: BALANTIC P		DATE:		SCALE: NONE	
STDS: <i>W. H. H. 1/1/57</i>		CH DR: <i>W. H. H. 1/1/57</i>		WT: SEE PARTS LIST	
APPR: <i>W. H. H. 1/1/57</i>		DATE:		REF: C	
				DRAWING SIZE: C	

USE OF THIS DOCUMENT IS UNLIMITED. DOCUMENTS REFERENCED HEREON CONTAIN LIMITED RIGHTS DATA.

71-148606 THRU  
71-148650

**Bendix**  
SCINTILLA DIVISION  
BENDIX AVIATION CORPORATION  
SIDNEY, N. Y., U.S.A.  
71-148606 THRU  
71-148650  
DRAWING SIZE: C

## X-ON Electronics

Largest Supplier of Electrical and Electronic Components

*Click to view similar products for [Circular MIL Spec Connector](#) category:*

*Click to view products by [Amphenol](#) manufacturer:*

Other Similar products are found below :

[89075GULPR](#) [0025-262-542](#) [0025-264-3014](#) [58-570121-04S](#) [0134-213-1208](#) [0134-213-2209](#) [0025-258-000](#) [60-042022-07P](#) [60-042022-19P](#)  
[60-042022-23P](#) [60-042217-10P](#) [60-042217-11P](#) [0114-201-1278](#) [012-0467-000](#) [602GB06EG24-61SN](#) [0134-201-1207](#) [0134-213-1006](#) [6104-](#)  
[207-2302](#) [6104-208-1902](#) [61-168211-04P](#) [61-168617-10P](#) [6131-202-19149P](#) [6131-204-21149P](#) [6131-208-13149P](#) [6131-209-17149P](#) [6131-](#)  
[210-11149P](#) [6131-211-19149P](#) [6131-216-19149P](#) [6131-259-21149P](#) [6131-259-23149P](#) [6131-265-17149P](#) [6131-265-19149P](#) [CS3100A18-1P-](#)  
[472](#) [CS3100A-36-77P](#) [CS3101A-16-55P](#) [CS3102A-10SL-55P](#) [CS3102A-14S-58P](#) [CS3102A-18-1P116](#) [CS3102A-32-17P](#) [CS3102A32-25S](#)  
[CS3102C18-4P-472](#) [CS3106A10SL3S004](#) [CS3106A-18-73S](#) [CS3108A-14S-52S](#) [CS3108A-28-51S](#) [6162-233-1277](#) [6162-324-1231](#)  
[M243082296Z](#) [M2884010AC1S1](#) [CT0-24-10SC](#)