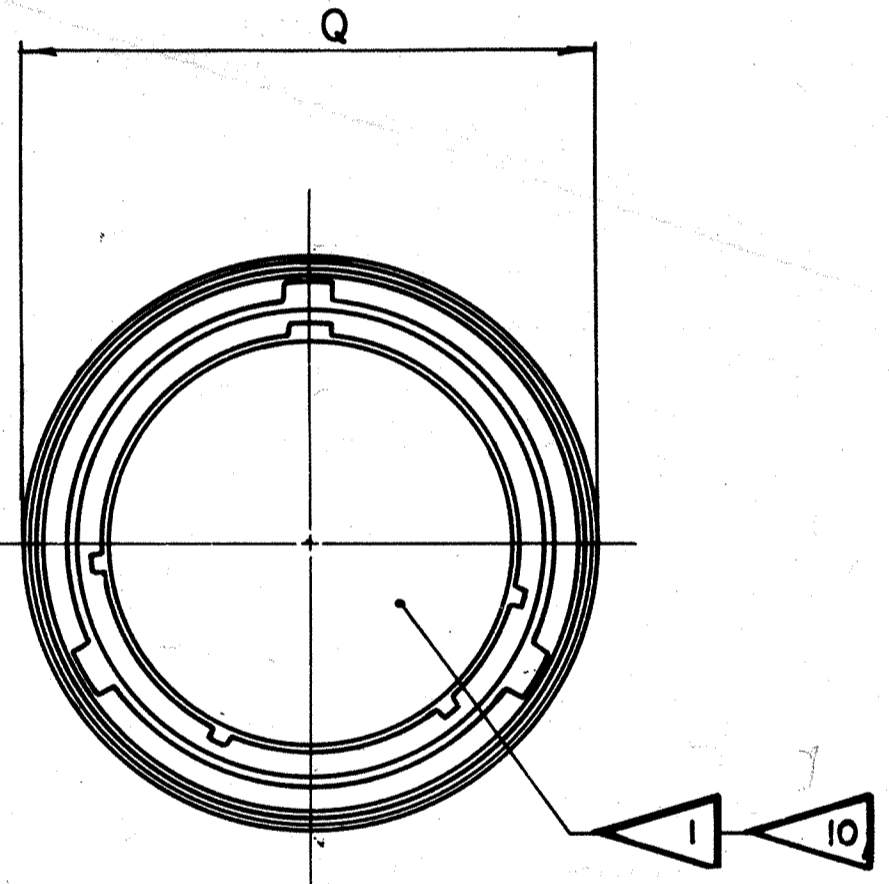
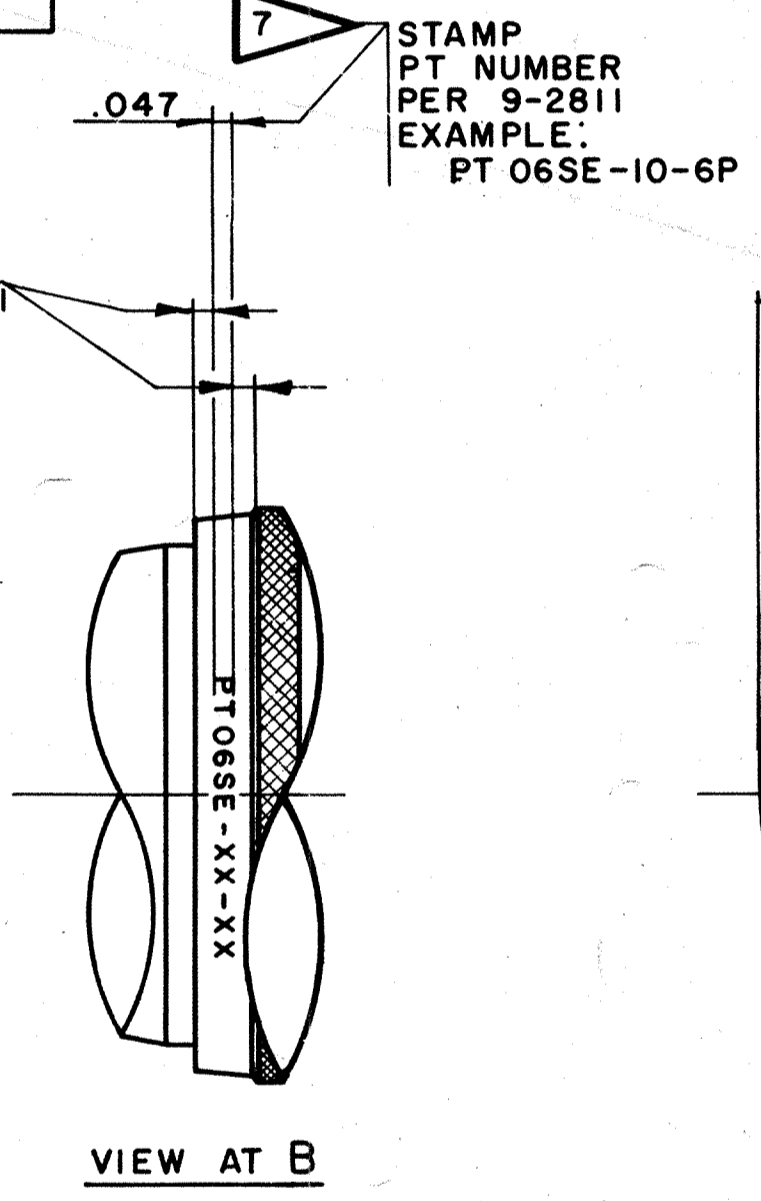
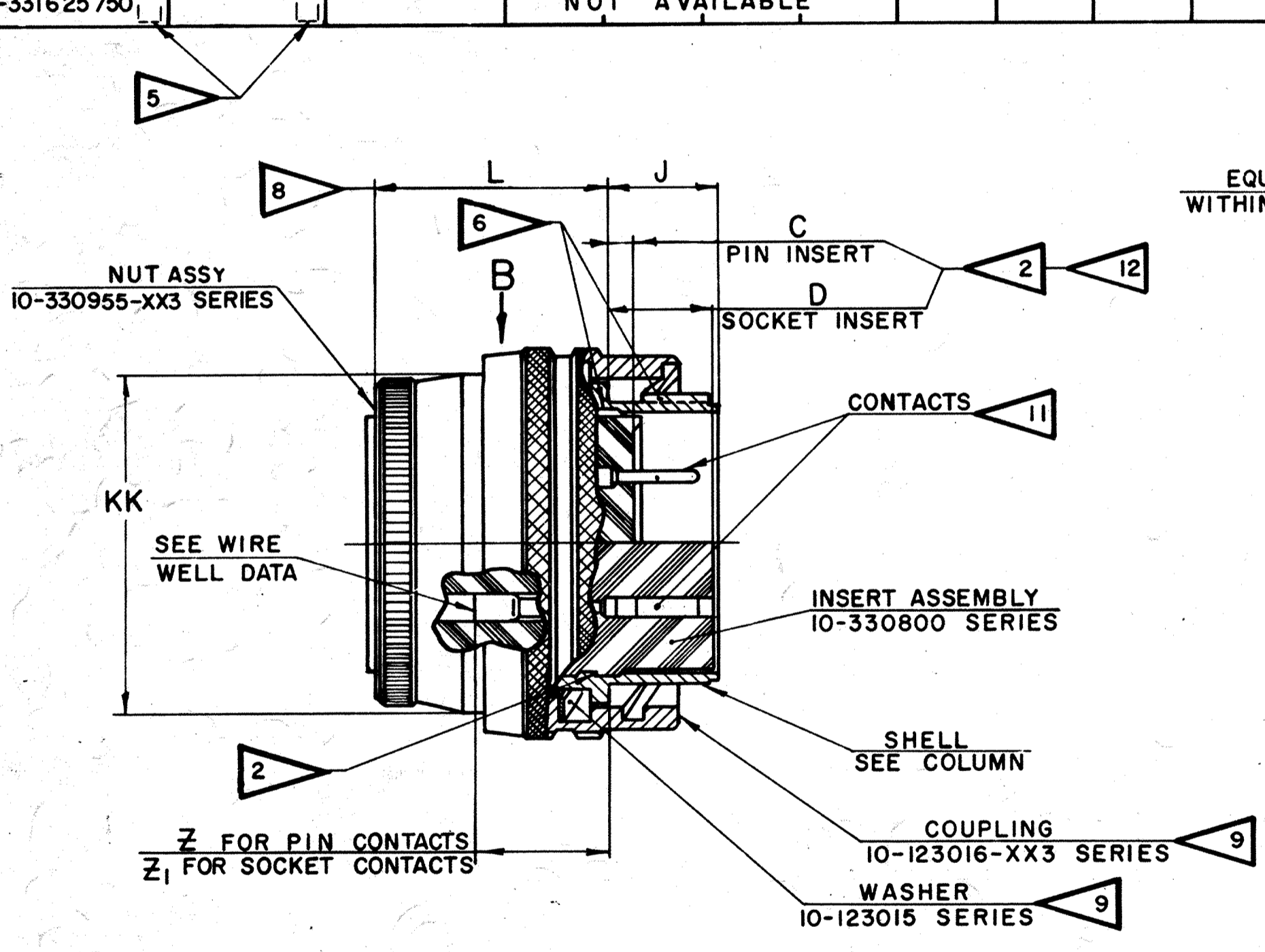


| ASSEMBLY NUMBER | PT NUMBER | DETAILS SHELL | DIMENSIONS | | | | | | | |
|-----------------|-----------|---------------|---------------------|---------------------|------|----------|----------------------------|------------|-------------------------|-----------------------------|
| | | | C +.020 -.000 | D +.020 -.000 | J | L MAX | Q DIA +.000 -.047 | Z ±.045 | Z ₁ ±.045 | KK DIA +.000 -.031 |
| 71-331606- | 06SE-6- | | NOT AVAILABLE | | | | | | | |
| 71-331608- | -8- | 10-330906-83 | .030 | .337 | .353 | .953 | .734 | .640 | .579 | .540 |
| 71-331610- | -10- | -103 | | | | | .844 | | | .685 |
| 71-331612- | -12- | -123 | | | | | 1.016 | | | .813 |
| 71-331614- | -14- | -143 | | | | | 1.141 | | | .930 |
| 71-331616- | -16- | -163 | | | | | 1.266 | | | 1.057 |
| 71-331618- | -18- | -183 | | | | | 1.375 | | | 1.175 |
| 71-331620- | -20- | -203 | .092 | .399 | .415 | .859 | 1.516 | .578 | .517 | 1.301 |
| 71-331622- | -22- | -223 | | | | .859 | 1.641 | | | 1.428 |
| 71-331624- | -24- | -243 | | | | .922 | 1.761 | | | 1.533 |
| 71-331625 /50 | | | NOT AVAILABLE | | | | | | | |

ACCESSORIES
(NOT PART OF STANDARD ASSEMBLY)

SEE DRAWING
10-150000

| REV NO | | 36536-115 | | REVISIONS | | DATE | APPROVAL |
|-----------|-----|---|--|-----------|----------------|------|----------|
| CHG NO. | SYM | DESCRIPTION | | DATE | APPROVAL | | |
| 37753-1 | 1 | REDRAWN BY E. MICHEL, WAS SAME SIZE, TEST 9-3897-1, ASSY 9-3836-1 (PRO SPEC), ADD -24 & DATA, NOTES 12, 13 14, REV NOTE 11. | | 7-21-60 | <i>S. Land</i> | | |
| 38311-2 | 2 | REV NOTE II. | | 8-18-61 | <i>S. Land</i> | | |
| 39070-2 | 3 | RELOC AND REV C & D DIM | | 1-4-62 | <i>S. Land</i> | | |
| 36525-374 | 4 | ADD ENLARGED VIEW OF COAXIAL CONTACT TERMINATION & DATA | | 1-23-62 | <i>S. Land</i> | | |
| 39606-19 | A1 | WAS NUT 10-330911-XX3 SERIES; REV L MAX COL; RELOC L DIM. | | 4-18-62 | <i>S. Land</i> | | |
| 42525-330 | A2 | WAS .184, .234, .077 (WIRE WELL DATA) | | 1-7-64 | <i>S. Land</i> | | |
| 45525-425 | A3 | REM COAX. TERMINATION VIEW; REV COAXIAL WELL DATA BLOCK; NOTE ONE, NOTE 11; ADD SIZE 12 & SIZE 12 FOR 10 TO WIRE WELL DATA BLOCK. | | 2-2-66 | <i>S. Land</i> | | |
| 55524-218 | A4 | ADD & REL -8 & DATA | | 5-7-74 | <i>S. Land</i> | | |
| 55525-288 | A5 | REV NOTE 11 | | 7-22-74 | <i>S. Land</i> | | |
| 56525-56 | A6 | REV C COL | | 12-2-74 | <i>S. Land</i> | | |



- FOR CONTACT ARRANGEMENTS & COAXIAL CONTACT DATA, SEE DRAWINGS L-15206-() THRU L-15250-().
- DIMENSIONS MUST BE MAINTAINED WHEN INSERTS ARE PRESSED FIRMLY AGAINST INDICATED SHOULDER.
- MATES WITH RECEPTACLE 71-331006/50 & OTHERS.
- FOR COMPONENT PART NUMBERS OF DESIRED ARRANGEMENT, SEE APPLICABLE PARTS LIST (PL).
- TO COMPLETE ASSY NO. & PT NO., ADD APPLICABLE INSERT ARRANGEMENT SUFFIX TO BASE NUMBERS LISTED ABOVE PER 9-2437-1.
- VERTICAL CENTERLINES OF INSERT ARRANGEMENT AND SHELL POLARIZING KEY MUST BE WITHIN .005 OF INDICATED ROTATION PER 9-2437-1.
- SEE WORK ORDER FOR PERMISSIBLE ADDITIONAL OR ALTERNATE STAMPING.
- DIMENSION INDICATES FINAL INSTALLATION, FOR STORAGE & SHIPPING, SHELL AND NUT MUST BE LOOSELY COUPLED.
- COUPLING SLOTS & WASHER TO BE LUBRICATED PER 9-3502.
- INSERT ASSEMBLIES ARE NOT REMOVABLE.
- FOR FINAL INSTALLATION, CONTACTS MUST BE ASSEMBLED INTO ALL INSERT HOLES. ALL UNUSED GROMMET HOLES MUST BE FILLED WITH APPROPRIATE SEALING PLUG 10-101033.
- INSERT LOCATING DIMENSIONS APPLY BEFORE ASSEMBLY OF CONTACTS.
- SEE INDIVIDUAL DRAWINGS FOR 71-331614-22, 71-331614-91, 71-331618-91 AND 71-331622-96.
- UNITS ILLUSTRATED MEET THE MATERIAL AND FINISH REQUIREMENTS OF MIL-C-26482.

COAXIAL DATA
SEE NOTE 1

| WIRE WELL DATA | | | | |
|-----------------------|---------------------|---------------------|---------------------|---------------------|
| CONTACT SIZE | 20 | 16 | 12 | 12 FOR 10 |
| CONDUCTOR WELL DIA | .048 +.002 -.000 | .066 +.002 -.000 | .100 ±.002 | .136 ±.002 |
| CONDUCTOR WELL DEPTH | .189 +.037 -.000 | .250 +.031 -.000 | .250 +.031 -.000 | .234 +.031 -.000 |
| INSULATION WELL DIA | .091 +.002 -.000 | NOT AVAILABLE | NOT AVAILABLE | NOT AVAILABLE |
| INSULATION WELL DEPTH | .072 +.006 -.000 | NOT AVAILABLE | NOT AVAILABLE | NOT AVAILABLE |

TEST 9-4039-1
ASSY 9-3836-2, 9-2437-1
9-3502, 9-2811

UNLESS OTHERWISE SPECIFIED

1. TOLERANCES: LINEAR .000 ± .010, .00 ± .02, .0 ± .1
ANGULAR ±2°

2. ALL LOCATION TOLERANCES APPLY AT MAXIMUM MATERIAL CONDITION (MMC).

3. RADIUS FILLETS & BREAK EDGES .005-.020.

4. CONCENTRICITY: .015 TIR REGARDLESS OF SIZE.

FOR DRAWING INTERPRETATION SEE SPEC 9-3800

MATERIAL SPEC HEAT TREAT SPEC FINISH SPEC

ABBREVIATIONS & SYMBOLS (MMC)-MAXIMUM MATERIAL CONDITION (TP)-TRUE POSITION (REF NOTE) ORIG ENG JOB NO. 99G

DRAWN: E FLEMING DATE: 4-4-60

CHECKED: Mero DATE: 12-14-60

MAT'L:

BY: J. Bauman 12-19-60

CH DR: J. Bauman 12-19-60

APP: J. L. Bernhart 12-19-60

| ITEM | REQD | PART NO. | DESCRIPTION | UNIT WT | NEXT ASSY | USED ON |
|--|------|----------|-------------|---------|-----------|---------|
| LIST OF MATERIAL | | | | | | |
| APPLICATION | | | | | | |
| CONNECTOR, ELECTRICAL PLUG, TYPE PT-SE()MC, OLIVE DRAB | | | | | | |
| SCINTILLA DIVISION BENDIX AVIATION CORPORATION SIDNEY, N. Y., U.S.A. | | | | | | |
| 71-331606 THRU 71-331650 | | | | | | |
| SCALE: NONE WT CALC (SEE ACT. PL) LBS REF 71-196606/50 DRAWING SIZE: C TAB | | | | | | |

71-331606 THRU 71-331650

X-ON Electronics

Largest Supplier of Electrical and Electronic Components

Click to view similar products for [Circular MIL Spec Connector](#) category:

Click to view products by [Amphenol](#) manufacturer:

Other Similar products are found below :

[89075GULPR](#) [0025-264-3014](#) [58-570121-04S](#) [58-584653-12P](#) [0134-213-1007](#) [0134-213-1208](#) [0134-213-2209](#) [0025-258-000](#) [60-042022-02P](#) [60-042022-19P](#) [60-042022-23P](#) [012-0467-000](#) [602GB06EG24-61SN](#) [0134-201-1207](#) [0134-207-2009](#) [0134-213-1006](#) [6104-207-2302](#) [6104-208-1902](#) [6131-202-19149P](#) [6131-204-21149P](#) [6131-207-13149P](#) [6131-208-13149P](#) [6131-209-17149P](#) [6131-210-11149P](#) [6131-211-19149P](#) [6131-216-19149P](#) [6131-220-25149P](#) [6131-259-11149P](#) [6131-259-21149P](#) [6131-259-23149P](#) [6131-263-19149P](#) [6131-265-17149P](#) [6131-265-19149P](#) [6134-203-21149](#) [CS3100A18-1P-472](#) [CS3100A-36-77S](#) [CS3101A36-79S-SR](#) [CS3102A-10SL-53P](#) [CS3102A10SL-64S](#) [CS3102A-20-15S](#) [CS3102A-22-70S](#) [CS3102A-24-79S](#) [CS3102A24-AJS](#) [CS3102A-32-17P](#) [CS3102A32-25S](#) [CS3106A10SL3S004](#) [CS3106A-18-73S](#) [CS3106A-28-20P](#) [CS3106A-32-82S](#) [CS3106A36-79P-SR](#)