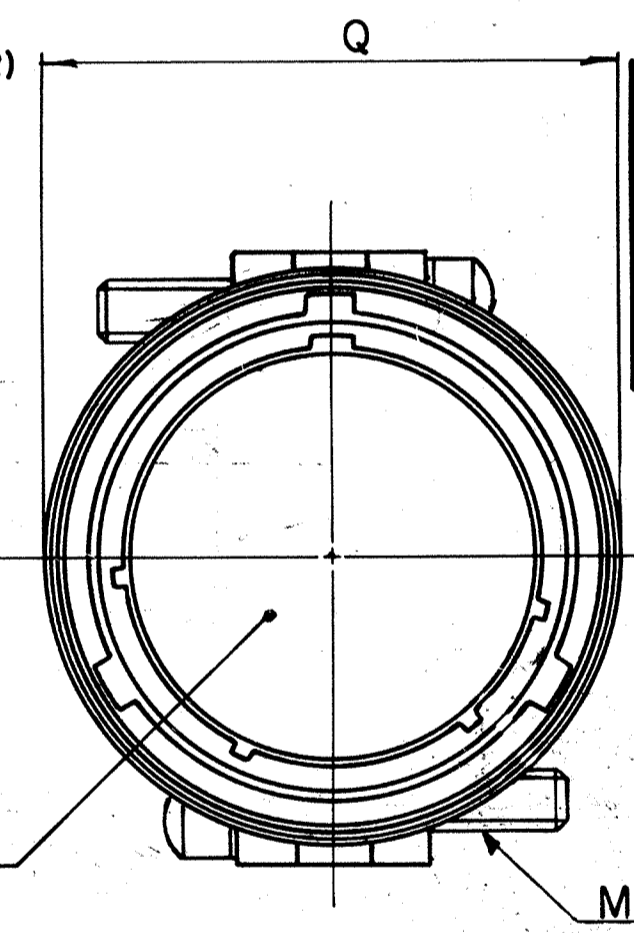
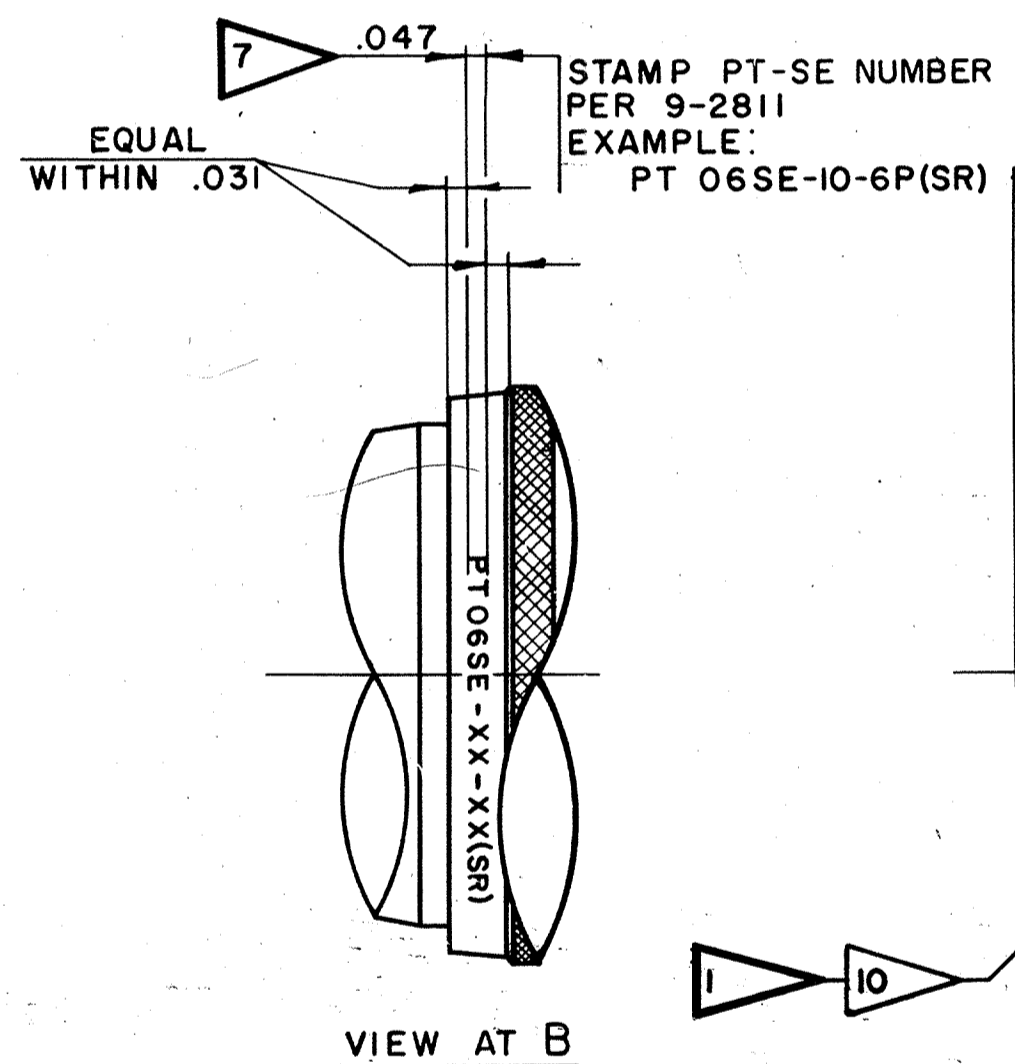
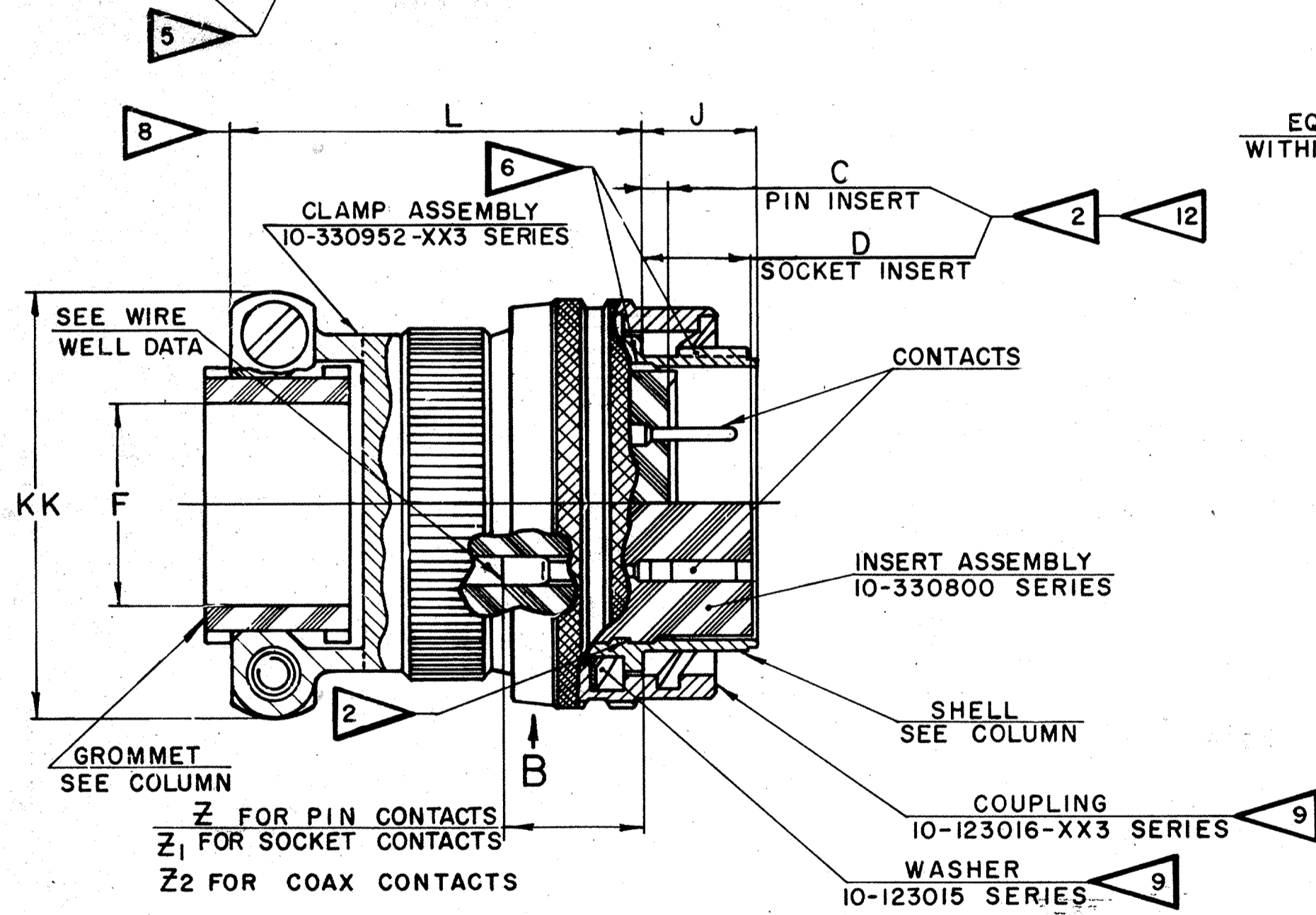


ASSEMBLY NUMBER	PT-SE NUMBER	DETAILS		DIMENSIONS											
		SHELL	GROMMET	C	D	F	J	L	M	Q	Z	Z <sub>1</sub>	KK	Z <sub>2</sub>	
				+020 -000	+020 -000	DIA		MAX	THREAD REF CLASS 2	DIA +000 -047	±045	±045	+000 -047	MAX	
71-332606-	06SE-6-	(SR)	NOT AVAILABLE												
71-332608-	-8-	10-330906-83	10-36565-101	.030	.337	.125	.353	1.547	6-32UNC	.734	.640	.579	.781	.875	
71-332610-	-10-	-103	-122			.188				.844			.844		
71-332612-	-12-	-123	-143			.312				1.016			.969		
71-332614-	-14-	-143	-163			.375				1.141			1.094		
71-332616-	-16-	-163	-183			.500		1.625		1.266			1.156		
71-332618-	-18-	-183	-203			.625		1.625	8-32UNC	1.375			1.406		
71-332620-	-20-	-203	-203	.092	.399	.625	.415	1.672		1.516	.578	.517	1.406	.812	
71-332622-	-22-	-223	-244			.750		1.672		1.641			1.594		
71-332624-	-24-	-243	-232			.800		1.734		1.761			1.688		
71-332625/50				NOT AVAILABLE											

CHG NO.		SYM	DESCRIPTION	DATE	APPROVAL
37753-3	1		REDRAWN BY E. MICHEL; WAS SAME SIZE 9-3836-1 (ASSY SPEC); ADD -24 & REL.-24 & DATA, NOTE 14, REV. & RELOC. GROM. COL.	7-14-60	<i>Schlad</i>
38311-12	2		REV NOTE 11	8-18-61	<i>KAMINSKY</i>
38525-118	3		REVERSED LOCATION OF CLAMP BAR SCREWS	11-2-61	<i>HISCOTT</i>
39070-2	4		RELOC AND REV C & D DIM	1-4-62	<i>Schlad</i>
39606-7	A1		WAS 10-330910-XX3 SERIES (CLAMP ASSY); L ± 0.031; REV L COL	4-16-62	<i>Schlad</i>
39525-309	A2		ADDED Z2 DIM & Z2 MAX COL	1-22-63	<i>BARTKOW</i>
56525-56	A3		REV C COL	12-2-74	<i>Hayes</i>
56500-63	A4		ADD & REL -8 & DATA	2-21-75	<i>A. HANNI</i>
	B		(CL 11) REM NOTE 11; FLAG ECN: 74403-1	7-19-83	<i>Prescott</i>



ACCESSORIES (NOT PART OF STANDARD ASSEMBLY)

SEE DRAWING 10-150000

7. SEE WORK ORDER FOR PERMISSIBLE ADDITIONAL OR ALTERNATE STAMPING.
6. VERTICAL CENTERLINES OF INSERT ARRANGEMENT AND SHELL POLARIZING KEY MUST BE WITHIN .005 OF INDICATED ROTATION PER 9-2437-1.
5. TO COMPLETE ASSY NO. & PT-SE NO., ADD APPLICABLE INSERT ARRANGEMENT SUFFIX TO BASE NUMBERS LISTED ABOVE PER 9-2437-1.
4. FOR COMPONENT PART NUMBERS OF DESIRED ARRANGEMENT, SEE APPLICABLE PARTS LIST (PL).
3. MATES WITH RECEPTACLE 71-332006/50 & OTHERS
2. DIMENSIONS MUST BE MAINTAINED WHEN INSERTS ARE PRESSED FIRMLY AGAINST INDICATED SHOULDER
1. FOR CONTACT ARRANGEMENTS, SEE DRAWINGS L-15206-( ) THRU L-15250-( ).
14. UNITS ILLUSTRATED MEET THE MATERIAL AND FINISH REQUIREMENTS OF MIL-C-26482.
13. FOR FINAL INSTALLATION, CONTACTS MUST BE ASSEMBLED INTO ALL INSERT HOLES. ALL UNUSED GROMMET HOLES MUST BE FILLED WITH APPROPRIATE SEALING PLUG 10-101033.
12. INSERT LOCATING DIMENSIONS APPLY BEFORE ASSEMBLY OF CONTACTS.
10. INSERT ASSEMBLY IS NOT REMOVABLE.
9. COUPLING SLOTS & WASHER TO BE LUBRICATED PER 9-3502.
8. DIMENSION INDICATES FINAL INSTALLATION, FOR STORAGE & SHIPPING, SHELL & CLAMP ASSEMBLY MUST BE LOOSELY COUPLED.

COAXIAL WELL DATA		WIRE WELL DATA			
CONTACT SIZE	8	CONTACT SIZE	20	16	
CABLE TYPE	RG-195/U RG-180/U	CONDUCTOR WELL DIA	.048 +002 -000	.066 +002 -000	
		CONDUCTOR WELL DEPTH	.184 +037 -000	.234 +031 -000	
		INSULATION WELL DIA	.091 +002 -000	NOT AVAILABLE	
		INSULATION WELL DEPTH	.077 +006 -000	NOT AVAILABLE	
TEST PROCESS SPEC 9-4039-1 ASSY 9-3836-2, 9-2437-1 9-3502, 9-2811		LIST OF MATERIAL APPLICATION			
UNLESS OTHERWISE SPECIFIED		ABBREVIATIONS & SYMBOLS (MNC)-MAXIMUM MATERIAL CONDITION (TP)-TRUE POSITION - REF NOTE			
1. TOLERANCES: LINEAR .000 ± .010, .00 ± .02, .0 ± .1 ANGULAR ± 2°		ORIG ENG JOB NO. 99G			
2. ALL LOCATION TOLERANCES APPLY AT MAXIMUM MATERIAL CONDITION (MNC).		DRAWN: EICHORN DATE: 6-9-60			
3. RADIUS FILLETS & BREAK EDGES .005-.020.		CHECKED: MAT'L DATE: 12-19-60			
4. CONCENTRICITY: .015 TIR REGARDLESS OF SIZE.		APP'D: E. Barnhart 12/19/60			
FOR DRAWING INTERPRETATION SEE SPEC 9-3500		SCALE: NONE WT. CALC (SEE ACT. SPT) LBS REF. 71-197606/50 DRAWING SIZE: C TAB.			
MATERIAL SPEC HEAT TREAT SPEC FINISH SPEC		TITLE: CONNECTOR, ELECTRICAL PLUG, TYPE PT-SE ( ) MC, OLIVE DRAB			

**Bendix**

SCINTILLA DIVISION  
BENDIX AVIATION CORPORATION  
SIDNEY, N.Y., U.S.A.

71-332606 THRU 71-332650

CODE 77820

71-332606 THRU 71-332650

## X-ON Electronics

Largest Supplier of Electrical and Electronic Components

*Click to view similar products for [Circular MIL Spec Connector](#) category:*

*Click to view products by [Amphenol](#) manufacturer:*

Other Similar products are found below :

[89075GULPR](#) [0025-264-3014](#) [58-570121-04S](#) [58-584653-12P](#) [0134-213-1007](#) [0134-213-1208](#) [0134-213-2209](#) [0025-258-000](#) [60-042022-02P](#) [60-042022-19P](#) [60-042022-23P](#) [60-042217-10P](#) [60-042217-11P](#) [012-0467-000](#) [602GB06EG24-61SN](#) [0134-201-1207](#) [0134-207-2009](#) [0134-213-1006](#) [6104-207-2302](#) [6104-208-1902](#) [6131-202-19149P](#) [6131-204-21149P](#) [6131-207-13149P](#) [6131-208-13149P](#) [6131-209-17149P](#) [6131-210-11149P](#) [6131-211-19149P](#) [6131-216-19149P](#) [6131-220-25149P](#) [6131-259-11149P](#) [6131-259-21149P](#) [6131-259-23149P](#) [6131-263-19149P](#) [6131-265-17149P](#) [6131-265-19149P](#) [6134-203-21149](#) [CS3100A18-1P-472](#) [CS3100A-36-77S](#) [CS3101A36-79S-SR](#) [CS3102A-10SL-53P](#) [CS3102A10SL-64S](#) [CS3102A-18-1P116](#) [CS3102A-20-15S](#) [CS3102A-22-70S](#) [CS3102A-24-79S](#) [CS3102A24-AJS](#) [CS3102A-32-17P](#) [CS3102A32-25S](#) [CS3102A-36-78S](#) [CS3106A10SL3S004](#)