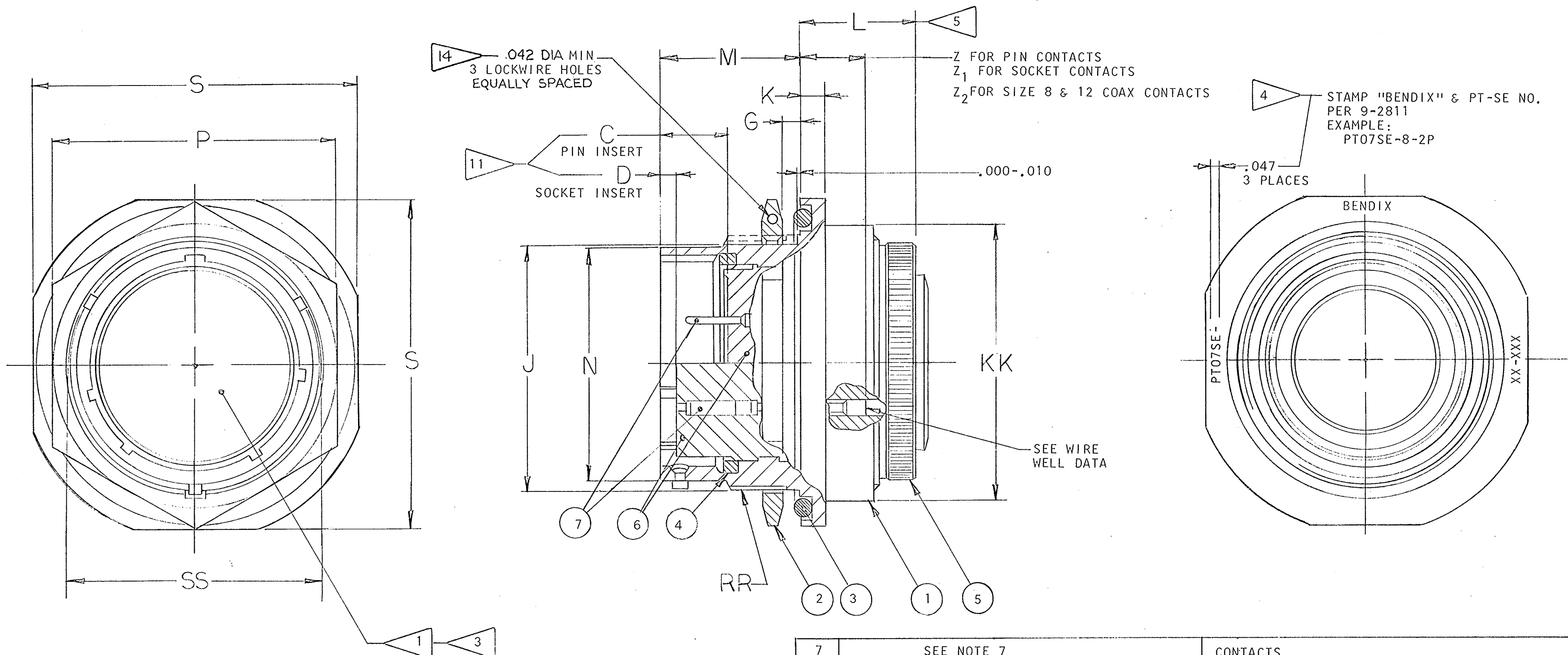


37536-82		REVISIONS		
ZONE	LTR	DESCRIPTION	DATE	APPROVED
	B	(MFG) REDRAWN, SAME SIZE, STANDARDIZED, ECN: 59525-143	3-8-78 COLON	<i>Hand</i>
✓	C	(MFG) ADDED 4 REL -8 & DATA ECN: 70500-177	10-26-78 LONGWELL	<i>999</i>
	D	(CL ID) SEE CHG NOTICE ECN: 25778	10/28/91 11/11/90tt	<i>1312</i> <i>P</i>



FIND NO.	QTY REQD	CODE IDENT	PART NUMBER	DESCRIPTION	NOTE REF
7			SEE NOTE 7	CONTACTS	7
6	1		10-330806-()P/50-()P OR 10-330806-()S/50-()S	INSERT, PIN INSERT, SOCKET	7
5	1		10-330957-XX3	CLAMPING NUT	
4	1		10-330914-XX1	GASKET	
3	1		SEE COLUMN	PACKING	13
2	1		10-123017-XX3	NUT	
1	1		10-330923-XX3	SHELL	

UNLESS OTHERWISE SPECIFIED		SIGNATURES		DATES		The Bendix Corporation Electrical Components Division Sidney, New York		
LINEAR DIMENSIONS ARE IN INCHES. TOLERANCES: .XXX ± .010, .XX ± .03, .X ± .1, ANGLES ± 2°. OTHER STANDARDS PER 9-3800 AND MIL-D-1000. NOTE REF		PREPARED	A. NILES	2-16-61	TITLE: CONNECTOR, ELECTRICAL RECEPTACLE, TYPE PT-SE() JFW, OLIVE DRAB			
		CHECKED	B. Tomco	3-28-78				
		MATERIAL						
MATERIAL SPEC	PROCESS SPEC TEST 9-4039-1 ASSY 9-3836-2 9-2437-1 9-2811	APPROVED	<i>[Signature]</i>	3-9-78	SIZE C CODE IDENT NO. 77820 71-331706 THRU 71-331750			
		APPROVED	<i>[Signature]</i>	3-30-73				
					SCALE NONE	WT	REF 71-196706/50	SHEET 1 OF 2

SEE SHEET 2.
NOTES:

NEXT ASSEMBLY

USE OF THIS DOCUMENT IS UNLIMITED. DOCUMENTS REFERENCED HEREON CONTAIN LIMITED RIGHTS DATA.

SCANNED [71-331706/50]

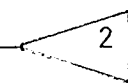
4

3

2

1

ASSEMBLY NUMBER	PT-SE NO.	PACKING	C		D		PANEL MIN	THK MAX	J		K	L	M	N		P	S	Z		Z ₁	Z ₂	KK DIA	RR THREAD CLASS 2A (PLATED)	SS DIA
			+.000	-.020	+.000	-.020			+.000	-.010				+.011	-.010			MAX	MAX					
71-331706-()	07SE- 6-()		NOT AVAILABLE																					
71-331708-()	- 8-()	10-90351-17	.332	.025	.062	.125	.530	.125	.734	.696	.473	.750	.938	.323	.262	.422	.719	.5625-24	UNEF				.563	
71-331710-()	-10-()	10-90351- 19	.332	.025	.062	.125	.655	.125	.734	.696	.590	.875	1.062	.323	.262	.422	.844	.6875-24	UNEF				.680	
71-331712-()	-12-()	- 22						.818			.750	1.062	1.250				.969	.875 -20				.859		
71-331714-()	-14-()	- 24						.942			.875	1.188	1.375				1.094	1.000 -20				.984		
71-331716-()	-16-()	- 26						1.066			1.000	1.312	1.500				1.219	1.125 -18				1.108		
71-331718-()	-18-()	- 28						1.191			1.125	1.438	1.625				1.344	1.250 -18				1.233		
71-331720-()	-20-()	-128	.394	.087			.250	1.316	.156		.884	1.250	1.562	1.812	.197	.136	.266	1.500	1.375 -18				1.358	
71-331722-()	-22-()	-130						1.441			.884	1.375	1.688	1.938	.197	.135	.266	1.625	1.500 -18				1.483	
71-331724-()	-24-()	-132						1.566			.766	.917	1.500	1.812	2.062	.164	.103	.235	1.750	1.625 -18			1.610	



ACCESSORIES
(NOT PART OF STANDARD ASSEMBLY)

SEE DRAWING
10-150000

COAXIAL DATA
SEE NOTE 1

WIRE WELL DATA				
CONTACT SIZE	20	16	12	12 FOR #10 WIRE
CONDUCTOR WELL DIA	.048 ⁺ .002 -.000	.066 ⁺ .002 -.000	.100±.002	.136±.002
CONDUCTOR WELL DEPTH	.189 ⁺ .037 -.000	.250 ⁺ .031 -.000	.250 ⁺ .031 -.000	.250 ⁺ .031 -.000
INSULATION WELL DIA	.091 ⁺ .002 -.000	NOT APPLICABLE	NOT APPLICABLE	NOT APPLICABLE
INSULATION WELL DEPTH	.072 ⁺ .006 -.000	NOT APPLICABLE	NOT APPLICABLE	NOT APPLICABLE

- SEE SEPARATE PARTS LIST FOR COMPONENT PART NUMBERS AND QUANTITIES.
- TO COMPLETE ASSEMBLY NO. & PT-SE NO., ADD APPLICABLE INSERT ARRANGEMENT SUFFIX TO BASE NUMBERS LISTED ABOVE PER 9-2437-1.
- FOR CONTACT ARRANGEMENTS & COAXIAL DATA, SEE DWGS L-15206-() THRU L-15250-().
- SEE WORK ORDER FOR PERMISSIBLE ADDITIONAL OR ALTERNATE STAMPING.
- DIMENSION INDICATES FINAL INSTALLATION. FOR STORAGE & SHIPPING, SHELL & CLAMP ASSEMBLY MUST BE LOOSELY COUPLED.
- SEE DRAWING 71-331606/50 & OTHERS FOR REQUIRED MATING PLUG ASSEMBLY.
- INSERT ASSEMBLIES ARE NOT REMOVABLE.
- FORMED LOCKWIRE HOLE DESIGN (G HOLES) OPTIONAL.
- ALL INSERT HOLES MUST HAVE CONTACTS ASSEMBLED AND ALL UNUSED GROMMET HOLES MUST BE FILLED WITH THE APPROPRIATE SIZE SEALING PLUG 10-101033.
- SEE INDIVIDUAL DRAWINGS FOR 71-331714-22, 71-331714-91 AND 71-331718-91.
- INSERT LOCATING DIMENSIONS APPLY BEFORE ASSEMBLY OF CONTACTS.
- UNITS ILLUSTRATED MEET THE MATERIAL & FINISH REQUIREMENTS OF MIL-C-26482.
- FOR MAXIMUM SEALING EFFICIENCY, APPLY LIGHT COAT OF MIL-S-8660 TO PACKING.
- PACKAGE PER PRODUCTION PROCESS SHEET.

SIZE	CODE IDENT NO.	71-331706 THRU 71-331750	
C	77820		
SCALE	WT	REF	SHEET 2

REV	B	C	D											
-----	---	---	---	--	--	--	--	--	--	--	--	--	--	--

X-ON Electronics

Largest Supplier of Electrical and Electronic Components

Click to view similar products for [Circular MIL Spec Connector](#) category:

Click to view products by [Amphenol](#) manufacturer:

Other Similar products are found below :

[0025-262-542](#) [0025-264-3014](#) [58-570121-04S](#) [0134-202-1200](#) [0134-207-1206](#) [0134-207-1800](#) [0134-207-2207](#) [0134-213-0806](#) [0134-213-1007](#) [0134-213-1009](#) [0134-213-1208](#) [0134-213-1800](#) [0134-213-2209](#) [0025-258-000](#) [015-9516-002](#) [60-042722-19P](#) [0114-201-1278](#) [602GB06EG24-61SN](#) [0134-201-1207](#) [0134-201-1806](#) [0134-201-2006](#) [0134-201-2007](#) [0134-201-2010](#) [0134-202-1400](#) [0134-207-0809](#) [0134-207-1208](#) [0134-207-2009](#) [0134-213-1006](#) [6104-207-2302](#) [6104-208-1902](#) [6131-202-19149P](#) [6131-204-21149P](#) [6131-207-13149P](#) [6131-208-13149P](#) [6131-209-17149P](#) [6131-210-11149P](#) [6131-211-19149P](#) [6131-216-19149P](#) [6131-220-25149P](#) [6131-259-11149P](#) [6131-259-21149P](#) [6131-259-23149P](#) [6131-263-19149P](#) [6131-265-17149P](#) [6131-265-19149P](#) [CS3102A-20-15P](#) [CS3102A-20-15S](#) [CS3102C18-4P-472](#) [CS3106A-20-29P](#) [CS3106A-20-74P](#)