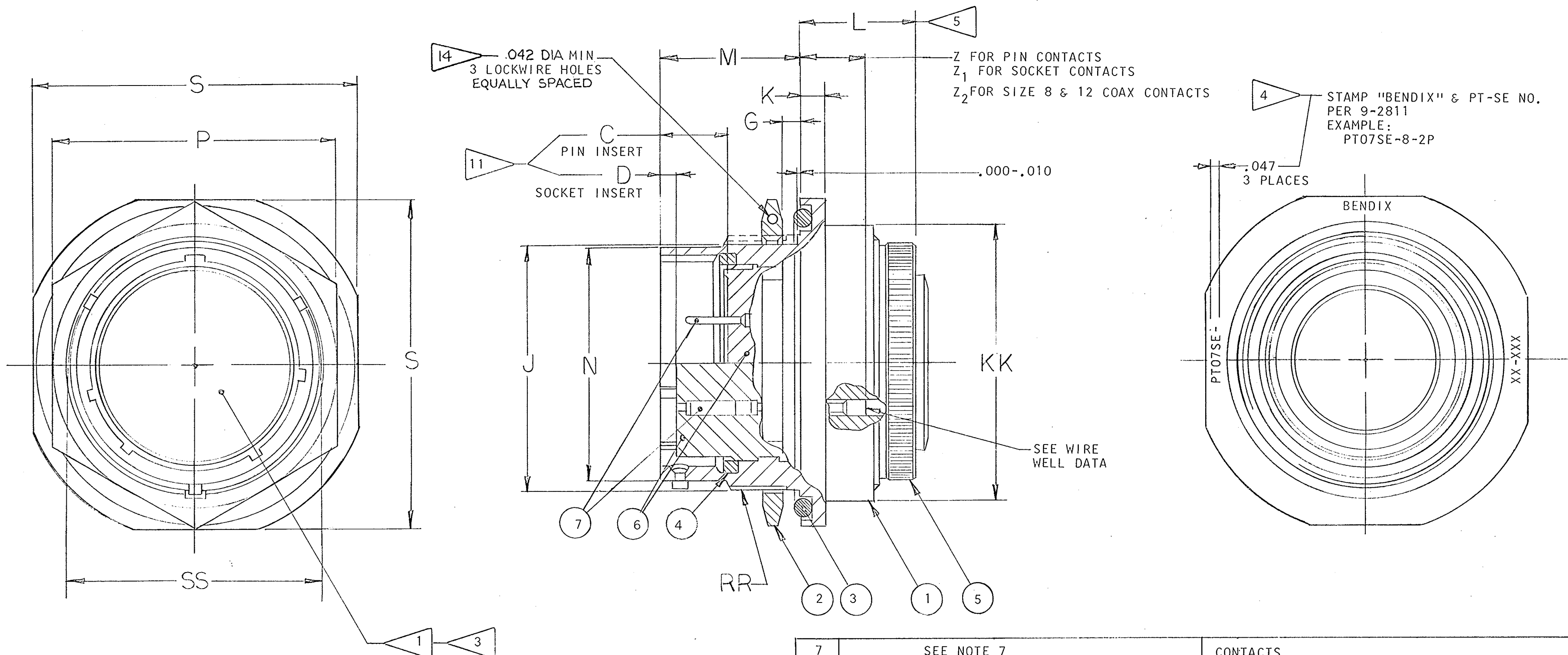


37536-82		REVISIONS		
ZONE	LTR	DESCRIPTION	DATE	APPROVED
	B	(MFG) REDRAWN, SAME SIZE, STANDARDIZED, ECN: 59525-143	3-8-78 COLON	<i>Hand</i>
✓	C	(MFG) ADDED 4 REL -8 & DATA ECN: 70500-17	10-26-78 LONGWELL	<i>JJS</i>
	D	(CL ID) SEE CHG NOTICE ECN: 25778	10/28/91 11/11/90tt	<i>P</i>



FIND NO.	QTY REQD	CODE IDENT	PART NUMBER	DESCRIPTION	NOTE REF
7			SEE NOTE 7	CONTACTS	7
6	1		10-330806-()P/50-()P OR 10-330806-()S/50-()S	INSERT, PIN INSERT, SOCKET	7
5	1		10-330957-XX3	CLAMPING NUT	
4	1		10-330914-XX1	GASKET	
3	1		SEE COLUMN	PACKING	13
2	1		10-123017-XX3	NUT	
1	1		10-330923-XX3	SHELL	

UNLESS OTHERWISE SPECIFIED		SIGNATURES		DATES		The Bendix Corporation Electrical Components Division Sidney, New York	
LINEAR DIMENSIONS ARE IN INCHES. TOLERANCES: .XXX ± .010, .XX ± .03, .X ± .1, ANGLES ± 2°. OTHER STANDARDS PER 9-3800 AND MIL-D-1000. NOTE REF		PREPARED	A. NILES	2-16-61	TITLE: CONNECTOR, ELECTRICAL RECEPTACLE, TYPE PT-SE() JFW, OLIVE DRAB		
		CHECKED	B. Tomco	3-28-78			
		APPROVED	<i>[Signature]</i>	3-9-78			
		APPROVED	<i>[Signature]</i>	3-30-73			
MATERIAL SPEC	PROCESS SPEC TEST 9-4039-1 ASSY 9-3836-2 9-2437-1 9-2811			SIZE C		CODE IDENT NO. 77820	71-331706 THRU 71-331750
				SCALE NONE	WT	REF 71-196706/50	SHEET 1 OF 2

SEE SHEET 2.
NOTES:

NEXT ASSEMBLY

USE OF THIS DOCUMENT IS UNLIMITED. DOCUMENTS REFERENCED HEREON CONTAIN LIMITED RIGHTS DATA.

SCANNED [71-331706/50]

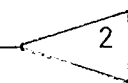
4

3

2

1

ASSEMBLY NUMBER	PT-SE NO.	PACKING	C		D		PANEL MIN	THK MAX	J		K	L	M	N		P	S	Z	Z ₁	Z ₂	KK		RR	SS		
			+.000	-.020	+.000	-.020			+.000	-.010				+.011	-.010						MAX	±.005		+.001	-.005	+.011
71-331706-()	07SE- 6-()		NOT AVAILABLE																							
71-331708-()	- 8-()	10-90351-17	.332	.025	.062	.125	.530	.125	.734	.696	.473	.750	.938	.323	.262	.422	.719	.5625-24	UNEF					.563		
71-331710-()	-10-()	10-90351- 19	.332	.025	.062	.125	.655	.125	.734	.696	.590	.875	1.062	.323	.262	.422	.844	.6875-24	UNEF					.680		
71-331712-()	-12-()	- 22						.818									.969	.875 -20						.859		
71-331714-()	-14-()	- 24						.942									1.094	1.000 -20						.984		
71-331716-()	-16-()	- 26						1.066									1.219	1.125 -18						1.108		
71-331718-()	-18-()	- 28						1.191									1.344	1.250 -18						1.233		
71-331720-()	-20-()	-128	.394	.087			.250	1.316	.156		.884	1.250	1.562	1.812	.197	.136	.266	1.500	1.375 -18					1.358		
71-331722-()	-22-()	-130						1.441			.884	1.375	1.688	1.938	.197	.135	.266	1.625	1.500 -18					1.483		
71-331724-()	-24-()	-132						1.566		.766	.917	1.500	1.812	2.062	.164	.103	.235	1.750	1.625 -18					1.610		



ACCESSORIES
(NOT PART OF STANDARD ASSEMBLY)

SEE DRAWING
10-150000

COAXIAL DATA
SEE NOTE 1

WIRE WELL DATA				
CONTACT SIZE	20	16	12	12 FOR #10 WIRE
CONDUCTOR WELL DIA	.048 ^{+.002} _{-.000}	.066 ^{+.002} _{-.000}	.100±.002	.136±.002
CONDUCTOR WELL DEPTH	.189 ^{+.037} _{-.000}	.250 ^{+.031} _{-.000}	.250 ^{+.031} _{-.000}	.250 ^{+.031} _{-.000}
INSULATION WELL DIA	.091 ^{+.002} _{-.000}	NOT APPLICABLE	NOT APPLICABLE	NOT APPLICABLE
INSULATION WELL DEPTH	.072 ^{+.006} _{-.000}	NOT APPLICABLE	NOT APPLICABLE	NOT APPLICABLE

- SEE SEPARATE PARTS LIST FOR COMPONENT PART NUMBERS AND QUANTITIES.
- SEE DRAWING 71-331606/50 & OTHERS FOR REQUIRED MATING PLUG ASSEMBLY.
- DIMENSION INDICATES FINAL INSTALLATION. FOR STORAGE & SHIPPING, SHELL & CLAMP ASSEMBLY MUST BE LOOSELY COUPLED.
- SEE WORK ORDER FOR PERMISSIBLE ADDITIONAL OR ALTERNATE STAMPING.
- INSERT ASSEMBLIES ARE NOT REMOVABLE.
- TO COMPLETE ASSEMBLY NO. & PT-SE NO., ADD APPLICABLE INSERT ARRANGEMENT SUFFIX TO BASE NUMBERS LISTED ABOVE PER 9-2437-1.
- FOR CONTACT ARRANGEMENTS & COAXIAL DATA, SEE DWGS L-15206-() THRU L-15250-().
- FORMED LOCKWIRE HOLE DESIGN (G HOLES) OPTIONAL.
- FOR MAXIMUM SEALING EFFICIENCY, APPLY LIGHT COAT OF MIL-S-8660 TO PACKING.
- UNITS ILLUSTRATED MEET THE MATERIAL & FINISH REQUIREMENTS OF MIL-C-26482.
- INSERT LOCATING DIMENSIONS APPLY BEFORE ASSEMBLY OF CONTACTS.
- SEE INDIVIDUAL DRAWINGS FOR 71-331714-22, 71-331714-91 AND 71-331718-91.
- ALL INSERT HOLES MUST HAVE CONTACTS ASSEMBLED AND ALL UNUSED GROMMET HOLES MUST BE FILLED WITH THE APPROPRIATE SIZE SEALING PLUG 10-101033.
- PACKAGE PER PRODUCTION PROCESS SHEET.

NOTES:

SIZE	CODE IDENT NO.	71-331706 THRU 71-331750	
C	77820		
SCALE	WT	REF	SHEET 2

REV	B	C	D											
-----	---	---	---	--	--	--	--	--	--	--	--	--	--	--

X-ON Electronics

Largest Supplier of Electrical and Electronic Components

Click to view similar products for [Amphenol manufacturer](#):

Other Similar products are found below :

[PT01SE-16-8P\(027\)](#) [PT01SE-16-8P\(476\)](#) [CTV06RW-11-2JB-LC](#) [97-3108A-22-14P](#) [10-474017-10P](#) [MS27473P14B18S](#) [TV06RW-25-90AE](#)
[CTVS06RF-25-46PB-LC](#) [PT02E10-2PW](#) [PT02E10-2PX](#) [97-3106A18-3PX-958](#) [97-3106A18-3PY-958](#) [PT06J20-24SW](#) [TV06RL-13-35AD](#)
[TV06RL-13-98BD](#) [TV06RW-25-46AE](#) [TV06RL-13-35SD-LC](#) [TV06RL-13-35SD](#) [TV06RL-13-98SD-LC](#) [TV06RL-13-98SD](#) [TVP00RW-23-](#)
[53AD](#) [PT02E10-2PW-025](#) [100-007-213-002-001](#) [2M805-002-16NF23-12PA](#) [97-3108B16S-5PW-417](#) [97-3108B16S-5PY-417](#) [CS-](#)
[DSDMDB37MF-025](#) [97-3108B16S-5PZ-417](#) [GTC02R32-17S-025-RDS](#) [PT06SE2041P](#) [CF-5A9013-04N](#) [CF-6A4615-06N](#) [GTC02R32-17S-](#)
[025-RDS-LC](#) [GTC02R32-17S-025-LC](#) [PT06SE-24-61P\(LC\)](#) [SP28W1F](#) [TV07DT-25-37P](#) [TV07DT-25-37JN-LC](#) [TV07DT-25-37S](#) [TV07DT-](#)
[25-37S-LC](#) [TV07DT-25-46P-LC](#) [97-3101A20-21P-958](#) [TV07DT-25-90P-LC](#) [TV07DT-25-46A](#) [TV07DT-25-37P-LC](#) [GTS08-36-22PZ-025-](#)
[B30](#) [PT00SP2241P](#) [CTVPS00RF-15-15AC](#) [LJT06RT-15-35PB\(023\)](#) [TVS07RF-15-15AB](#)