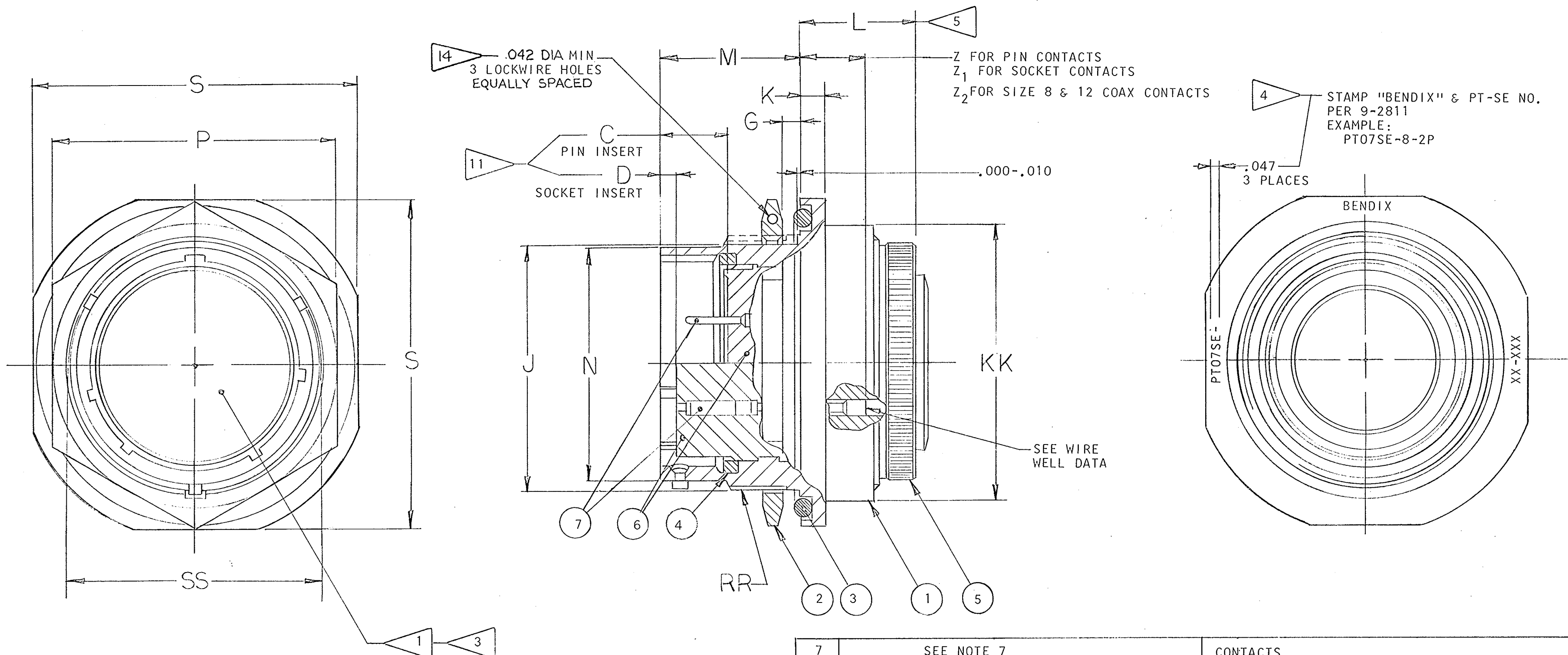


37536-82		REVISIONS		
ZONE	LTR	DESCRIPTION	DATE	APPROVED
	B	(MFG) REDRAWN, SAME SIZE, STANDARDIZED, ECN: 59525-143	3-8-78 COLON	<i>Hand</i>
✓	C	(MFG) ADDED 4 REL -8 & DATA ECN: 70500-17	10-26-78 LONGWELL	<i>JJS</i>
	D	(CL ID) SEE CHG NOTICE ECN: 25778	10/28/91 11/11/90tt	<i>P</i>



FIND NO.	QTY REQD	CODE IDENT	PART NUMBER	DESCRIPTION	NOTE REF
7			SEE NOTE 7	CONTACTS	7
6	1		10-330806-()P/50-()P OR 10-330806-()S/50-()S	INSERT, PIN	7
5	1		10-330957-XX3	CLAMPING NUT	
4	1		10-330914-XX1	GASKET	
3	1		SEE COLUMN	PACKING	13
2	1		10-123017-XX3	NUT	
1	1		10-330923-XX3	SHELL	

UNLESS OTHERWISE SPECIFIED		SIGNATURES		DATES		The Bendix Corporation Electrical Components Division Sidney, New York	
LINEAR DIMENSIONS ARE IN INCHES. TOLERANCES: .XXX ± .010, .XX ± .03, .X ± .1, ANGLES ± 2°. OTHER STANDARDS PER 9-3800 AND MIL-D-1000. NOTE REF		PREPARED	A. NILES	2-16-61	TITLE: CONNECTOR, ELECTRICAL RECEPTACLE, TYPE PT-SE() JFW, OLIVE DRAB		
		CHECKED	B. Tomco	3-28-78			
		MATERIAL					
MATERIAL SPEC	PROCESS SPEC TEST 9-4039-1 ASSY 9-3836-2 9-2437-1 9-2811	APPROVED	<i>[Signature]</i>	3-9-78	SIZE C CODE IDENT NO. 77820 71-331706 THRU 71-331750		
		APPROVED	<i>[Signature]</i>	3-30-73			
		SCALE	NONE	WT	REF	71-196706/50	SHEET 1 OF 2

SEE SHEET 2.
NOTES:

NEXT ASSEMBLY

USE OF THIS DOCUMENT IS UNLIMITED. DOCUMENTS REFERENCED HEREON CONTAIN LIMITED RIGHTS DATA.

SCANNED [71-331706/50]

X-ON Electronics

Largest Supplier of Electrical and Electronic Components

Click to view similar products for [Circular MIL Spec Connector](#) category:

Click to view products by [Amphenol](#) manufacturer:

Other Similar products are found below :

[89075GULPR](#) [0025-262-542](#) [0025-264-3014](#) [58-570121-04S](#) [0134-213-1208](#) [0134-213-2209](#) [0025-258-000](#) [60-042022-07P](#) [60-042022-19P](#)
[60-042022-23P](#) [60-042217-10P](#) [0114-201-1278](#) [012-0467-000](#) [602GB06EG24-61SN](#) [0134-201-1207](#) [0134-213-1006](#) [6104-207-2302](#) [6104-](#)
[208-1902](#) [61-168211-04P](#) [61-168617-10P](#) [6131-202-19149P](#) [6131-204-21149P](#) [6131-208-13149P](#) [6131-209-17149P](#) [6131-210-11149P](#) [6131-](#)
[211-19149P](#) [6131-216-19149P](#) [6131-259-21149P](#) [6131-259-23149P](#) [6131-265-17149P](#) [6131-265-19149P](#) [CS3100A18-1P-472](#) [CS3100A-36-](#)
[77P](#) [CS3101A-16-55P](#) [CS3102A-10SL-55P](#) [CS3102A-14S-58P](#) [CS3102A-32-17P](#) [CS3102A32-25S](#) [CS3102C18-4P-472](#)
[CS3106A10SL3S004](#) [CS3106A-18-73S](#) [CS3108A-14S-52S](#) [CS3108A-28-51S](#) [6162-233-1277](#) [6162-324-1231](#) [M243082296Z](#)
[M2884010AC1S1](#) [CT0-24-10SC](#) [CT0M20-7PCAU](#) [M28840/17AC1G3](#)