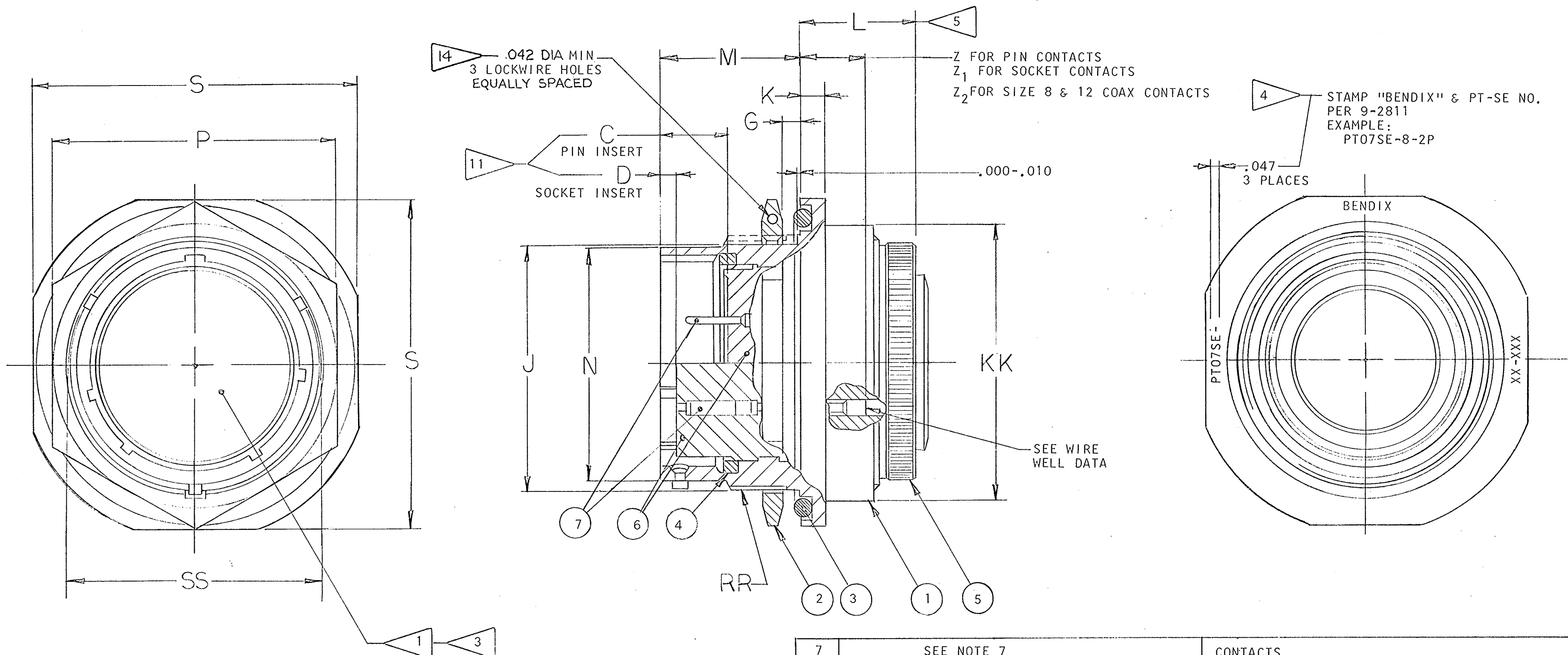


37536-82		REVISIONS		
ZONE	LTR	DESCRIPTION	DATE	APPROVED
	B	(MFG) REDRAWN, SAME SIZE, STANDARDIZED, ECN: 59525-143	3-8-78 COLON	<i>Hand</i>
✓	C	(MFG) ADDED 4 REL -8 & DATA ECN: 70500-17	10-26-78 LONGWELL	<i>999</i>
	D	(CL ID) SEE CHG NOTICE ECN: 25778	10/28/91 11/11/90tt	<i>1312</i> <i>P</i>



FIND NO.	QTY REQD	CODE IDENT	PART NUMBER	DESCRIPTION	NOTE REF
7			SEE NOTE 7	CONTACTS	7
6	1		10-330806-()P/50-()P OR 10-330806-()S/50-()S	INSERT, PIN INSERT, SOCKET	7
5	1		10-330957-XX3	CLAMPING NUT	
4	1		10-330914-XX1	GASKET	
3	1		SEE COLUMN	PACKING	13
2	1		10-123017-XX3	NUT	
1	1		10-330923-XX3	SHELL	

UNLESS OTHERWISE SPECIFIED		SIGNATURES		DATES		The Bendix Corporation Electrical Components Division Sidney, New York			
LINEAR DIMENSIONS ARE IN INCHES. TOLERANCES: .XXX ± .010, .XX ± .03, .X ± .1, ANGLES ± 2°. OTHER STANDARDS PER 9-3800 AND MIL-D-1000. NOTE REF		PREPARED	A. NILES	2-16-61	TITLE: CONNECTOR, ELECTRICAL RECEPTACLE, TYPE PT-SEC () JFW, OLIVE DRAB				
		CHECKED	B. Tomco	3-28-78					
		APPROVED	<i>[Signature]</i>	3-9-78	SIZE C CODE IDENT NO. 77820 71-331706 THRU 71-331750				
		APPROVED	<i>[Signature]</i>	3-30-73					
MATERIAL SPEC	PROCESS SPEC TEST 9-4039-1 ASSY 9-3836-2 9-2437-1 9-2811					SCALE NONE	WT	REF 71-196706/50	SHEET 1 OF 2

SEE SHEET 2.
NOTES:

NEXT ASSEMBLY

USE OF THIS DOCUMENT IS UNLIMITED. DOCUMENTS REFERENCED HEREON CONTAIN LIMITED RIGHTS DATA.

SCANNED [71-331706/50]

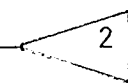
4

3

2

1

ASSEMBLY NUMBER	PT-SE NO.	PACKING	C		D		PANEL MIN	THK MAX	J		K	L	M	N		P	S	Z		Z ₁	Z ₂	KK DIA	RR THREAD CLASS 2A (PLATED)	SS DIA		
			+.000	-.020	+.000	-.020			+.000	-.010				+.011	-.010			MAX	MAX						MAX	+.011
71-331706-()	07SE- 6-()	NOT AVAILABLE																								
71-331708-()	- 8-()	10-90351-17	.332	.025	.062	.125	.530	.125	.734	.696	.473	.750	.938	.323	.262	.422	.719	.5625-24	UNEF				.563			
71-331710-()	-10-()	10-90351- 19	.332	.025	.062	.125	.655	.125	.734	.696	.590	.875	1.062	.323	.262	.422	.844	.6875-24	UNEF				.680			
71-331712-()	-12-()	- 22									.818						.969	.875 -20					.859			
71-331714-()	-14-()	- 24									.942						1.094	1.000 -20					.984			
71-331716-()	-16-()	- 26									1.066						1.219	1.125 -18					1.108			
71-331718-()	-18-()	- 28									1.191						1.344	1.250 -18					1.233			
71-331720-()	-20-()	-128	.394	.087			.250	.156			.884		.884	1.250	1.562	1.812	.197	.136	.266				1.500	1.375 -18	1.358	
71-331722-()	-22-()	-130									1.441			.884	1.375	1.688	1.938	.197	.135	.266				1.625	1.500 -18	1.483
71-331724-()	-24-()	-132									1.566		.766	.917	1.500	1.812	2.062	.164	.103	.235				1.750	1.625 -18	1.610



ACCESSORIES
(NOT PART OF STANDARD ASSEMBLY)

SEE DRAWING
10-150000

COAXIAL DATA
SEE NOTE 1

WIRE WELL DATA				
CONTACT SIZE	20	16	12	12 FOR #10 WIRE
CONDUCTOR WELL DIA	.048 ^{+.002} _{-.000}	.066 ^{+.002} _{-.000}	.100±.002	.136±.002
CONDUCTOR WELL DEPTH	.189 ^{+.037} _{-.000}	.250 ^{+.031} _{-.000}	.250 ^{+.031} _{-.000}	.250 ^{+.031} _{-.000}
INSULATION WELL DIA	.091 ^{+.002} _{-.000}	NOT APPLICABLE	NOT APPLICABLE	NOT APPLICABLE
INSULATION WELL DEPTH	.072 ^{+.006} _{-.000}	NOT APPLICABLE	NOT APPLICABLE	NOT APPLICABLE

7. SEE SEPARATE PARTS LIST FOR COMPONENT PART NUMBERS AND QUANTITIES.
 6. SEE DRAWING 71-331606/50 & OTHERS FOR REQUIRED MATING PLUG ASSEMBLY.
 5. DIMENSION INDICATES FINAL INSTALLATION. FOR STORAGE & SHIPPING, SHELL & CLAMP ASSEMBLY MUST BE LOOSELY COUPLED.
 4. SEE WORK ORDER FOR PERMISSIBLE ADDITIONAL OR ALTERNATE STAMPING.
 3. INSERT ASSEMBLIES ARE NOT REMOVABLE.
 2. TO COMPLETE ASSEMBLY NO. & PT-SE NO., ADD APPLICABLE INSERT ARRANGEMENT SUFFIX TO BASE NUMBERS LISTED ABOVE PER 9-2437-1.
 1. FOR CONTACT ARRANGEMENTS & COAXIAL DATA, SEE DWGS L-15206-() THRU L-15250-().
14. FORMED LOCKWIRE HOLE DESIGN (G HOLES) OPTIONAL.
 13. FOR MAXIMUM SEALING EFFICIENCY, APPLY LIGHT COAT OF MIL-S-8660 TO PACKING.
 12. UNITS ILLUSTRATED MEET THE MATERIAL & FINISH REQUIREMENTS OF MIL-C-26482.
 11. INSERT LOCATING DIMENSIONS APPLY BEFORE ASSEMBLY OF CONTACTS.
 10. SEE INDIVIDUAL DRAWINGS FOR 71-331714-22, 71-331714-91 AND 71-331718-91.
 9. ALL INSERT HOLES MUST HAVE CONTACTS ASSEMBLED AND ALL UNUSED GROMMET HOLES MUST BE FILLED WITH THE APPROPRIATE SIZE SEALING PLUG 10-101033.
 8. PACKAGE PER PRODUCTION PROCESS SHEET.

NOTES:

SIZE	CODE IDENT NO.	71-331706 THRU 71-331750	
C	77820		
SCALE	WT	REF	SHEET 2

REV	B	C	D											
-----	---	---	---	--	--	--	--	--	--	--	--	--	--	--

X-ON Electronics

Largest Supplier of Electrical and Electronic Components

Click to view similar products for [Circular MIL Spec Connector](#) category:

Click to view products by [Amphenol](#) manufacturer:

Other Similar products are found below :

[89075GULPR](#) [0025-262-542](#) [0025-264-3014](#) [58-570121-04S](#) [0134-213-1208](#) [0134-213-2209](#) [0025-258-000](#) [60-042022-07P](#) [60-042022-19P](#)
[60-042022-23P](#) [60-042217-10P](#) [60-042217-11P](#) [0114-201-1278](#) [012-0467-000](#) [602GB06EG24-61SN](#) [0134-201-1207](#) [0134-213-1006](#) [6104-](#)
[207-2302](#) [6104-208-1902](#) [61-168211-04P](#) [61-168617-10P](#) [6131-202-19149P](#) [6131-204-21149P](#) [6131-208-13149P](#) [6131-209-17149P](#) [6131-](#)
[210-11149P](#) [6131-211-19149P](#) [6131-216-19149P](#) [6131-259-21149P](#) [6131-259-23149P](#) [6131-265-17149P](#) [6131-265-19149P](#) [CS3100A18-1P-](#)
[472](#) [CS3100A-36-77P](#) [CS3101A-16-55P](#) [CS3102A-10SL-55P](#) [CS3102A-14S-58P](#) [CS3102A-18-1P116](#) [CS3102A-32-17P](#) [CS3102A32-25S](#)
[CS3102C18-4P-472](#) [CS3106A10SL3S004](#) [CS3106A-18-73S](#) [CS3108A-14S-52S](#) [CS3108A-28-51S](#) [6162-233-1277](#) [6162-324-1231](#)
[M243082296Z](#) [M2884010AC1S1](#) [CT0-24-10SC](#)