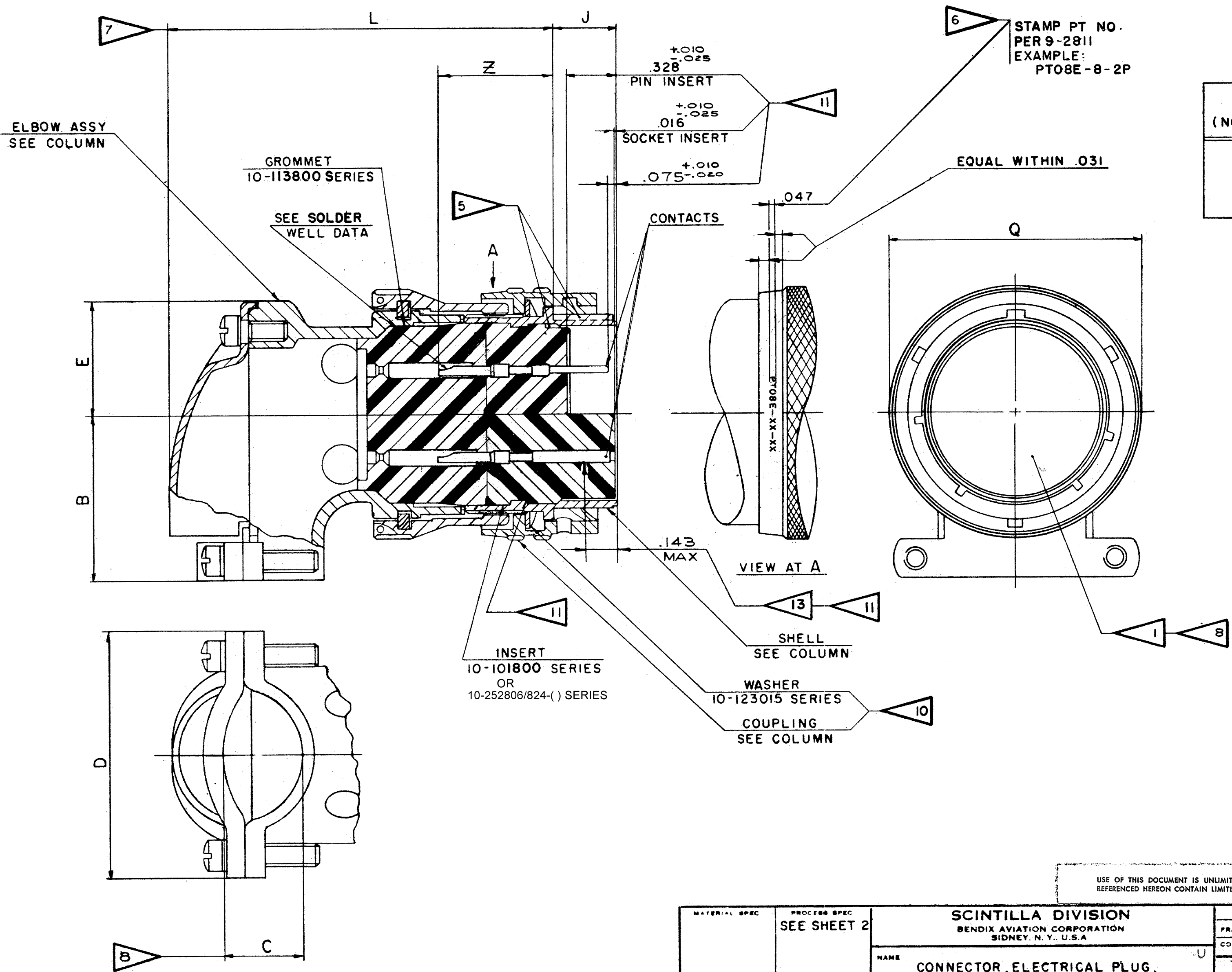


REL	WAS	DATE	D MAN	APPD.
1	36162-18	TEST 9-3353-2 (PRO SPEC)	1-28-60	MAKONSH
2	36545-21	10-123016-83 8-103 (COUPLING) REV WASHER DATA (-8 8-10)	4-12-60	LEWIS
3	37643-8	REMOVE BENDIX FROM STAMPING	11-22-60	DUFFEK
4	37525-672	REV COL D	6-5-61	HISCOIT
5	39969-4	REV Q+.000-.047 DIA COL	6-26-62	Lambrecht
A		(CL II) SEE CHANGE NOTICE ECN: A4900	6/30/08	H. BROOKER



ACCESSORIES
(NOT PART OF STANDARD ASSEMBLY)

SEE DRAWING
10-150000

71-148806 THRU
71-148850

USE OF THIS DOCUMENT IS UNLIMITED. DOCUMENTS REFERENCED HEREON CONTAIN LIMITED RIGHTS DATA.

SEE SHEET 2
NOTES

MATERIAL SPEC	PROCESS SPEC	SCINTILLA DIVISION BENDIX AVIATION CORPORATION SIDNEY, N. Y., U.S.A.		TOLERANCES UNLESS OTHERWISE SPECIFIED	
	SEE SHEET 2	NAME CONNECTOR, ELECTRICAL PLUG, TYPE PTE () MC, 90° OLIVE DRAB		FRACTIONS ±	DECIMALS ± .010
		D MAN Fairchild		CONCENTRICITY TIR	ANGLES ±
		CHECKER 2-25-57	MAT.	ST. DB.	SURFACE ROUGHNESS MICRO-IN RMS MAX
			CH D MAN	APPROVED	WEIGHT - LBS SEE PARTS LIST
				SCALE NONE	AND IS NOT INTERCHANGEABLE
					SUPERSEDED BY 71-148806 THRU 71-148850
					SHEET 1 OF 2

REL.	35508-36	WAS	DATE	D. MAN.	APPD.
1	36162-18	SEE SHEET 1	1-28-60	MARKUSKI	Bojarski
2	36545-21	SEE SHEET 1	4-12-60	LEWIS	Hizbullah
3	37663-8	SEE SHEET 1	11-22-60	DUFFEK	Bojarski
4	37525-672	SEE SHEET 1	5-6-61	HISCOTT	Bojarski
5	39969-4	SEE SHEET 1	6-26-62	Lambrecht	Bojarski
A		(CL II) SEE CHANGE NOTICE ECN: A4900	6/30/08	H. BROOKER	

ASSEMBLY NUMBER	PT NO.	DETAILS			DIMENSIONS								
		SHELL	COUPLING	ELBOW ASSEMBLY	B ±.031	C +.010 -.020	D ±.062	E ±.025	J	L ±.047	Q DIA MAX	Z ±.035	
71-148806-	08E-6-					NOT	AVAILABLE						
71-148808-	- 8-	10-184961 -83	10-123016-73	10-184964 -83	.655	.156	.941	.339	.353	1.433	.796	.525	
71-148810-	- 10-	-103	- 93	-103	.749	.169	1.191	.393		1.527	.921		
71-148812-	- 12-	-123	-123	-123	.812	.264	1.191	.450		1.612	1.046		
71-148814-	- 14-	-143	-143	-143	.905	.310	1.254	.519		1.760	1.171		
71-148816-	- 16-	-163	-163	-163	1.030	.330	1.316	.583		1.962	1.297		
71-148818-	- 18-	-183	-183	-183	1.015	.444	1.562	.621		2.070	1.422		
71-148820-	- 20-	-203	-203	-203	1.077	.510	1.625	.683	.415	2.280	1.562	.619	
71-148822	- 22-	-223	-223	-223	1.139	.515	1.719	.739		2.327	1.672		
71-148824	- 24-	-243	-243	-243	1.265	.656	1.751	.797		2.565	1.797		
71-148826/50		NOT	AVAILABLE										



71-148806 THRU
71-148850

A

7. DIMENSIONS INDICATE FINAL INSTALLATION. FOR STORAGE & SHIPPING, SHELL & ELBOW ASSEMBLY MUST BE LOOSELY COUPLED.
6. SEE WORK ORDER FOR PERMISSIBLE ADDITIONAL OR ALTERNATE STAMPING.
5. VERTICAL CENTERLINES OF INSERT ARRANGEMENT AND SHELL POLARIZING KEY MUST BE WITHIN .005 OF INDICATED ROTATION PER 9-2437-1.
4. FOR COMPONENT PART NUMBERS OF DESIRED ARRANGEMENT, SEE APPLICABLE PARTS LIST.
3. TO COMPLETE ASSY NO. & PT NO., ADD APPLICABLE INSERT ARRANGEMENT SUFFIX TO BASE NUMBERS LISTED ABOVE PER 9-2437-1.
2. MATES WITH RECEPTACLE 71-148006/50 AND OTHERS.
1. FOR CONTACT ARRANGEMENTS, SEE DRAWINGS L-15206-() THRU L-15250-().
8. INSERTS & CONTACTS MUST NOT BE REMOVED.
9. ALL UNUSED GROMMET HOLES TO BE FILLED WITH GROMMET SEALING ROD OR GROMMET SEALING PLUGS. SEE DRAWING 10-150000 (27 & 28)
10. COUPLING SLOTS & WASHER TO BE LUBRICATED PER 9-3502 .
11. DIMENSIONS MUST BE MAINTAINED WHEN INSERTS ARE PRESSED FIRMLY AGAINST INDICATED SHOULDER
12. ALL LOCKWIRE HOLES ARE .044 DIA MIN.
13. DISTANCE BETWEEN END OF SHELL & THE POINT AT WHICH A GAGE PIN, HAVING THE SAME BASIC DIAMETER AS THE MATING CONTACT & A SQUARE FACE, ENGAGES SOCKET CONTACT SPRING.

SOLDER WELL DATA			
CONTACT SIZE	20	16	
WELL DATA	.046 ^{+0.004} / _{-0.000}	.078 ^{+0.004} / _{-0.002}	
WELL DEPTH	1.031 1.000	.125	.188

MATERIAL SPEC:	PROCESS SPEC TEST 9-3980-2 ASSY 9-3443-2 9-2437-1 9-3502 9-2811	HEAT TREAT SPEC:	FINISH SPEC:
----------------	---	------------------	--------------

SCINTILLA DIVISION BENDIX AVIATION CORPORATION SIDNEY, N. Y., U.S.A.			
NAME CONNECTOR, ELECTRICAL PLUG, TYPE: PTE () MC, 90°, OLIVE DRAB			
D MAN	CHECKER	MAT	ST DS
Fairchild	Balentine		
11-20-58	2-25-59		
APPROVED	SCALE	NONE	

TOLERANCES UNLESS OTHERWISE SPECIFIED	
FRACTIONS ±	DECIMALS ± .010
CONCENTRICITY TIR	SURFACE ROUGHNESS MICRO IN RMS MAX
NEXT ASSEMBLY	WEIGHT ± LB SEE PARTS LIST
SUPERSEDED	AND IS NOT INTERCHANGEABLE
SUPERSEDED BY	71-148806 THRU 71-148850
REP	SHEET 2 OF 2 CODE 77820

X-ON Electronics

Largest Supplier of Electrical and Electronic Components

Click to view similar products for [Circular MIL Spec Connector](#) category:

Click to view products by [Amphenol](#) manufacturer:

Other Similar products are found below :

[89075GULPR](#) [0025-264-3014](#) [58-570121-04S](#) [58-584653-12P](#) [0134-213-1007](#) [0134-213-1208](#) [0134-213-2209](#) [0025-258-000](#) [60-042022-02P](#) [60-042022-19P](#) [60-042022-23P](#) [60-042217-10P](#) [60-042217-11P](#) [012-0467-000](#) [602GB06EG24-61SN](#) [0134-201-1207](#) [0134-207-2009](#) [0134-213-1006](#) [6104-207-2302](#) [6104-208-1902](#) [6131-202-19149P](#) [6131-204-21149P](#) [6131-207-13149P](#) [6131-208-13149P](#) [6131-209-17149P](#) [6131-210-11149P](#) [6131-211-19149P](#) [6131-216-19149P](#) [6131-220-25149P](#) [6131-259-11149P](#) [6131-259-21149P](#) [6131-259-23149P](#) [6131-263-19149P](#) [6131-265-17149P](#) [6131-265-19149P](#) [6134-203-21149](#) [CS3100A18-1P-472](#) [CS3100A-36-77S](#) [CS3101A36-79S-SR](#) [CS3102A-10SL-53P](#) [CS3102A10SL-64S](#) [CS3102A-18-1P116](#) [CS3102A-20-15S](#) [CS3102A-22-70S](#) [CS3102A-24-79S](#) [CS3102A24-AJS](#) [CS3102A-32-17P](#) [CS3102A32-25S](#) [CS3102A-36-78S](#) [CS3106A10SL3S004](#)