

FEATURES

- Carbon resistive element.
- Dust proof enclosure.
- Polyester substrate.
- Also upon request:
 - Wiper positioned at 50% or fully clockwise.
 - Long life model for low cost control pot. applications
 - Low torque option
 - Supplied in magazines for automatic insertion.
 - Self extinguishable plastic UL 94V-0
 - Cut track option
 - Special Tapers
 - Mechanical detents

MECHANICAL SPECIFICATIONS

- Mechanical rotation angle: $265^\circ \pm 5^\circ$
 $240^\circ \pm 5^\circ$ available under drawing (blue housing only)
- Electrical rotation angle: $250^\circ \pm 20^\circ$
- Torque: 0.5 to 2.5 Ncm.
(0.7 to 3.4 in-oz)
- Stop torque: > 10 Ncm. (> 14 in-oz)

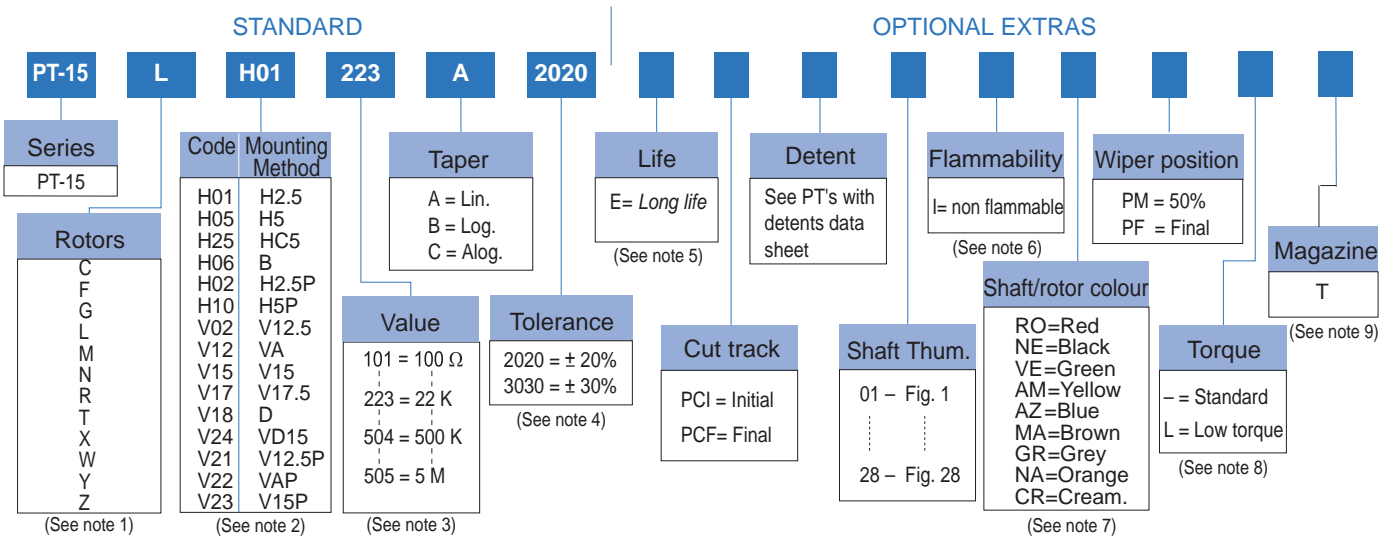
ELECTRICAL SPECIFICATIONS

- Range of values (*)
 $100\Omega \leq R_n \leq 5\text{ M}$ (Decad. 1.0 - 2.0 - 2.2 - 2.5 - 4.7 - 5.0)
- Tolerance (*): $100\Omega \leq R_n \leq 1\text{M}\Omega$ $\pm 20\%$
 $1\text{M}\Omega < R_n \leq 5\text{M}$ $\pm 30\%$
- Max. Voltage: 250 VDC (lin) 125 VDC (no lin)
- Nominal Power 50°C (122°F) (see power rating curve)
0.25 W (lin) 0.12 W (no lin)
- Taper (*) (Log. & Alog. only $R_n \geq 1\text{K}$) Lin ; Log; Alog.
- Residual resistance: $\leq 5 \cdot 10^{-3} R_n$ (2Ω min.)
- Equivalent Noise Resistance: $\leq 3\% R_n$ (3Ω min.)
- Operating temperature**: $-25^\circ\text{C} + 70^\circ\text{C}$ ($-13^\circ\text{F} + 158^\circ\text{F}$)

* Others upon request

** Up to 85°C depending on application

HOW TO ORDER



NOTES:

- (1) "Z" adjustment only available on "H" versions. Standard colour for the "T" rotor: Orange
- (2) Terminal styles: "P" are crimped terminals
- (3) Value Example: Code: 10 1 100 Ω
 ↳ Num of zeros
 ↳ First two digits of the value.
- (4) Non standard tolerance, upon request. Example: +7% Code: 07 05
 ↳ -5% ↳ negative tolerance
 ↳ positive tolerance
- (5) Life
 - Standard 500 cycles
 - Long life 10000 cycles
- (6) Non flammable: housing, rotor and shaft.
- (7) Colour shaft/rotor:
 - Potentiometer without shaft: only rotor
 - Potentiometer with shaft: only shaft
 - Cream colour only available in standard plastic
- (8) Low Torque: $\leq 1.5\text{Ncm}$. No detent option available for low torque models
- (9) Magazines (35 pcs/mag): available for VA (12.5), V (12.5), V (12.5P), V (15), V15 (P) and H models. For more information please contact your nearest Piher supplier.

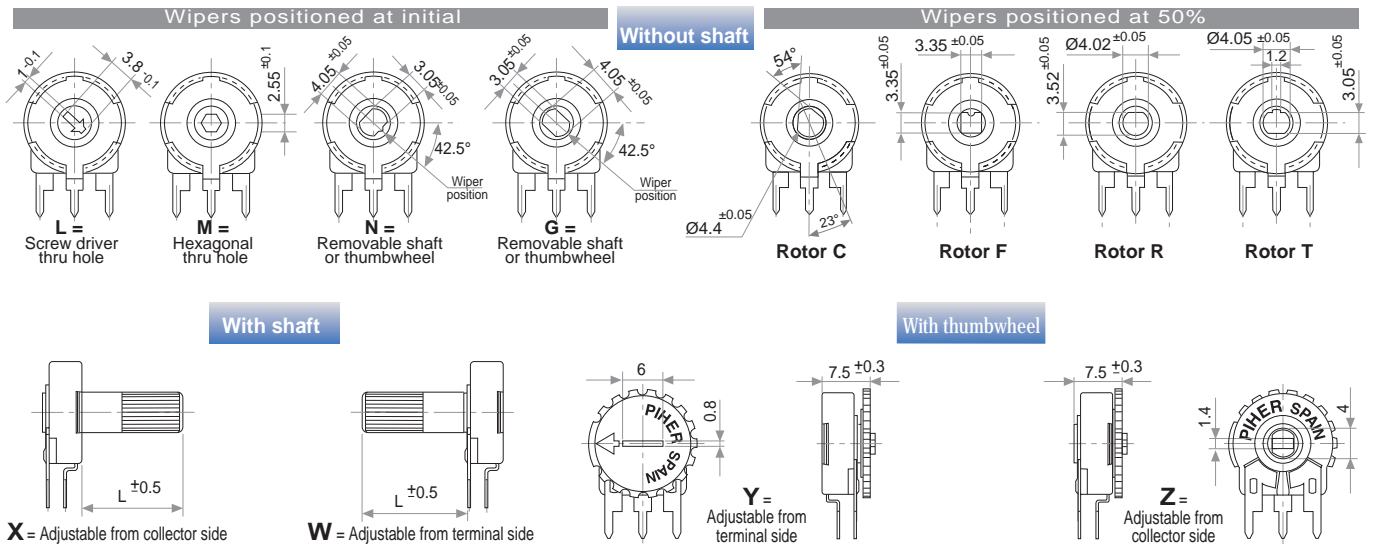
NOTE: The information contained here should be used for reference purposes only.

PT-15 LH 01 + DRAWING NUMBER (Max. 16 digits)

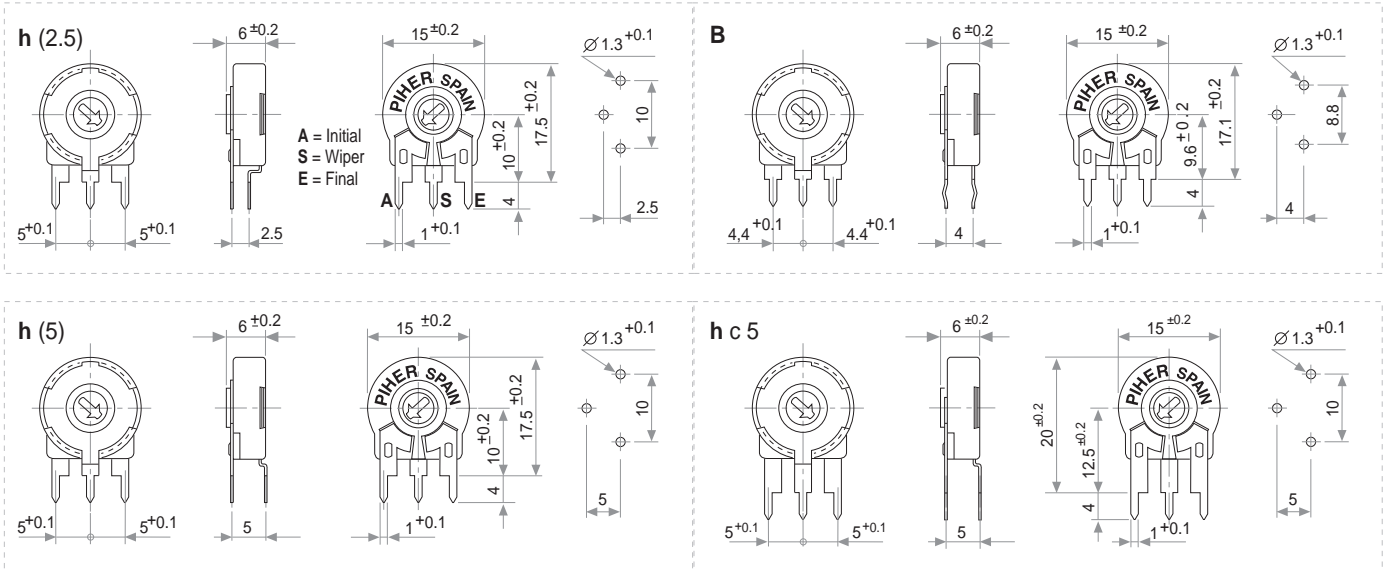
This way of ordering should be used for options which are not included in the "How to order" standard and optional extras.

| | |
|-----------------------|------------|
| Mechanical Life | 500 cycles |
| Cut track | No |
| Detents | None |
| Non flammable | No |
| Rotor colour | White |
| Shaft colour | Natural |
| Wiper position | Initial |
| Torque | Standard |

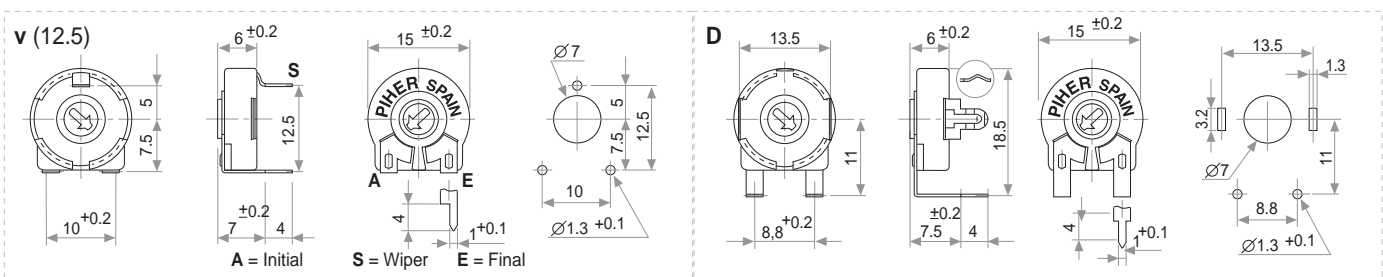
ROTORS



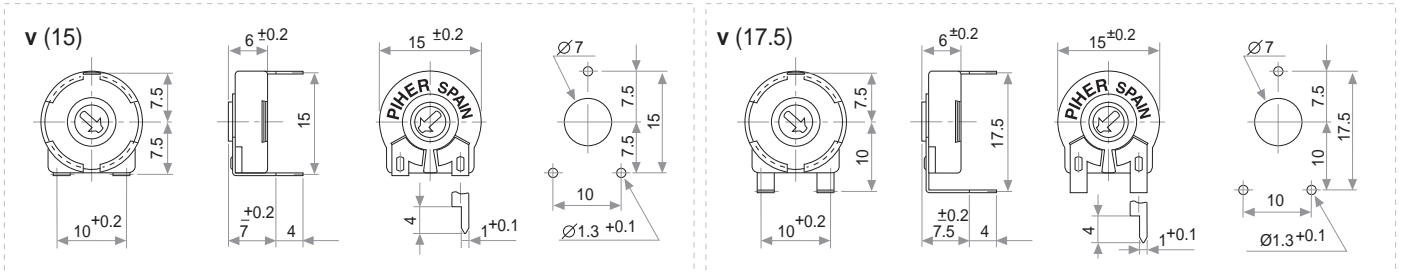
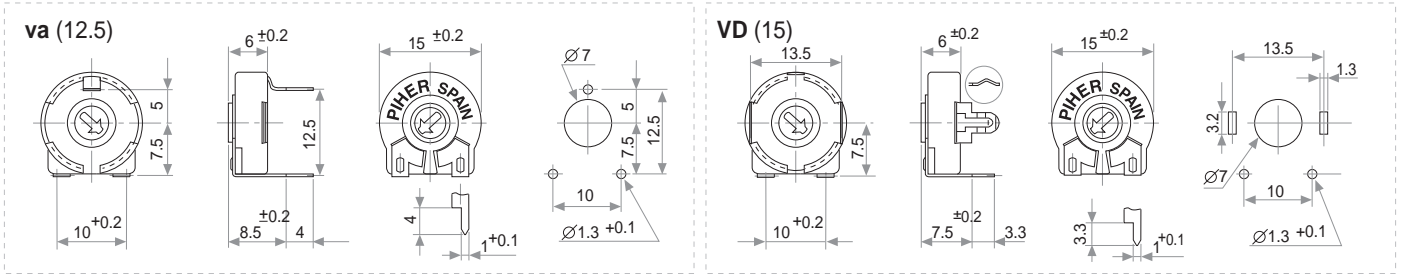
VERTICAL MOUNT - HORIZONTAL ADJUST



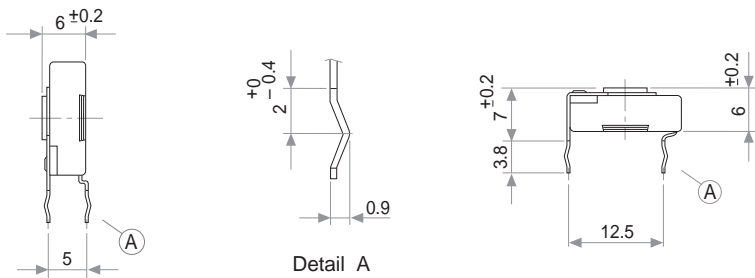
HORIZONTAL MOUNT - VERTICAL ADJUST



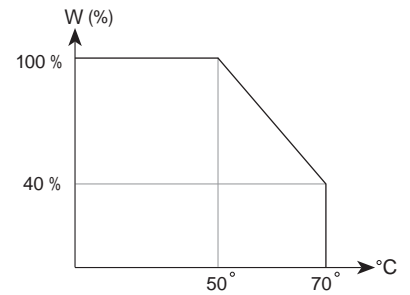
HORIZONTAL MOUNT - VERTICAL ADJUST



CRIMPED TERMINALS (DETAIL)

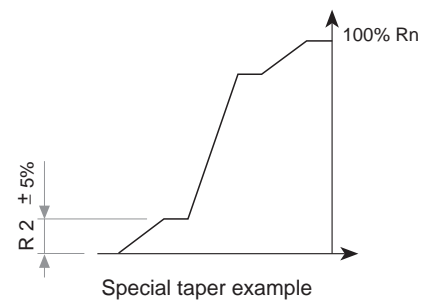
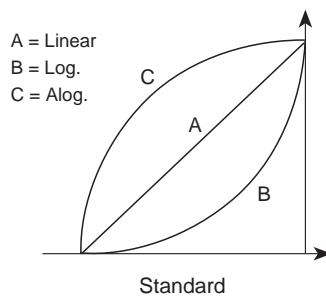


POWER RATING CURVE



TAPERS

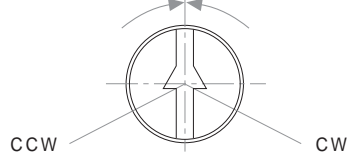
NOTE: Please note terminals disposition when ordering non linear curves.



OPTIONS

Positioning

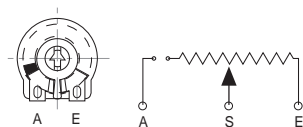
P.M.
50% ±20°



Std. Position = CCW

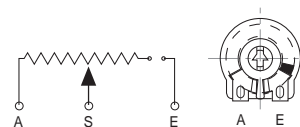
Cut Track

CCW on-off (A)



A = Initial
S = Wiper
E = Final

CW on-off (E)



TESTS

TYPICAL VARIATIONS

| | | |
|----------------------------------|--------------------------|----------------------|
| ELECTRICAL LIFE | 1.000 h. @ 50°C; 0.25 W | ±5 % |
| MECHANICAL LIFE (CYCLES) | 500 @ 10 CPM ...15 CPM | ±3 % (Rn < 1 M.Ω) |
| TEMPERATURE COEFFICIENT | -25°C; +70°C | ±300 ppm (Rn <100 K) |
| THERMAL CYCLING | 16 h. @ 85°C; 2h. @ 25°C | ±2.5 % |
| DAMP HEAT | 500 h. @ 40°C @ 95% HR | ±5 % |
| VIBRATION (for each plane X,Y,Z) | 2 h. @ 10 Hz. ... 55 Hz. | ±2 % |

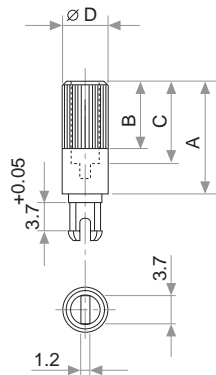
NOTE : Out of range values may not comply these results.

PACKAGING

| MODEL | PIECES / BOX |
|--------------------------------------|-------------------------|
| No thumbwheel / shaft | 200 (40 x 85 x 185 mm.) |
| With thumbwheel / shaft up to 19 mm. | 100 (40 x 85 x 185 mm.) |
| With shaft exceeding 19 mm. | 50 (40 x 85 x 185 mm.) |

SHAFTS

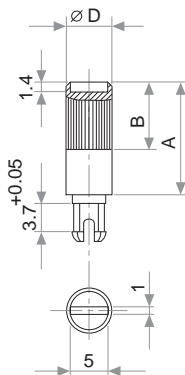
Hollow model shafts



A = Length (FRS)
 B = Knurling length
 C = Hollow depth
 D = Shaft diameter
 FRS = From rotor surface

| FIG. | A | B | C | D | Ref. |
|------|------|-----|------|---|------|
| 1 | 12 | 9 | 8 | 6 | 5272 |
| 2 | 19 | 9 | 15 | 6 | 5214 |
| 5 | 9.5 | 6.5 | 5.5 | 6 | 5208 |
| 9 | 35 | 9 | 15 | 6 | 5216 |
| 10 | 37.8 | 9 | 33.8 | 6 | 5218 |
| 11 | 35 | 25 | 15 | 6 | 5209 |
| 13 | 7.8 | 4.8 | 3.8 | 6 | 5265 |

Solid model shafts



| FIG. | A | B | D | Ref. |
|------|------|---|---|------|
| 6 | 15 | 9 | 6 | 5219 |
| 7 | 16.8 | 9 | 6 | 5220 |
| 8 | 25.3 | 9 | 6 | 5207 |
| 12 | 46 | 5 | 6 | 5227 |

Slot (1 x 1.4) perpendicular to wiper position. Fig. 12 slot is on line with wiper position.

SHAFTS

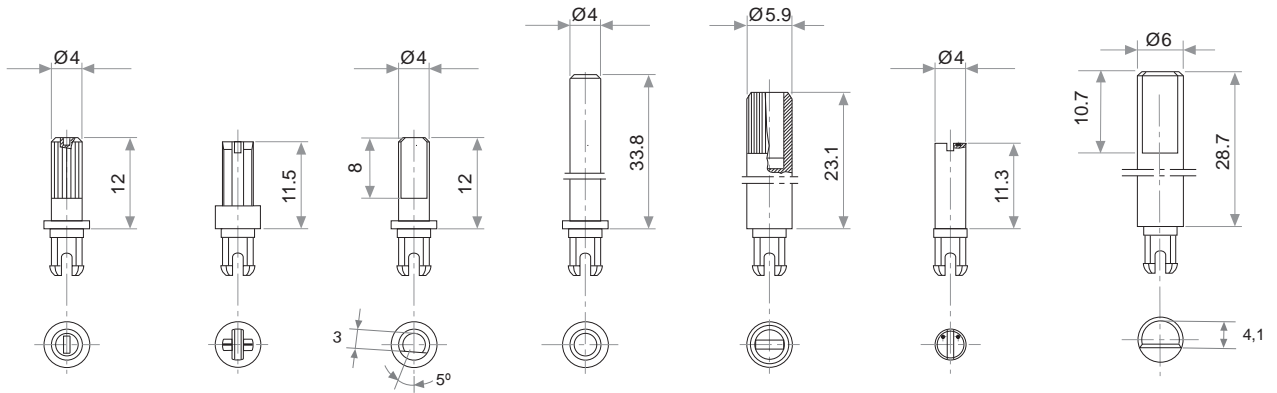


Fig. 3 / Ref. 5372 Fig. 14 / Ref. 5248 Fig. 15 / Ref. 5217 Fig. 16 / Ref. 5262* Fig. 17 / Ref. 5210 Fig. 18 / Ref. 5271 Fig. 19 / Ref. 6032*

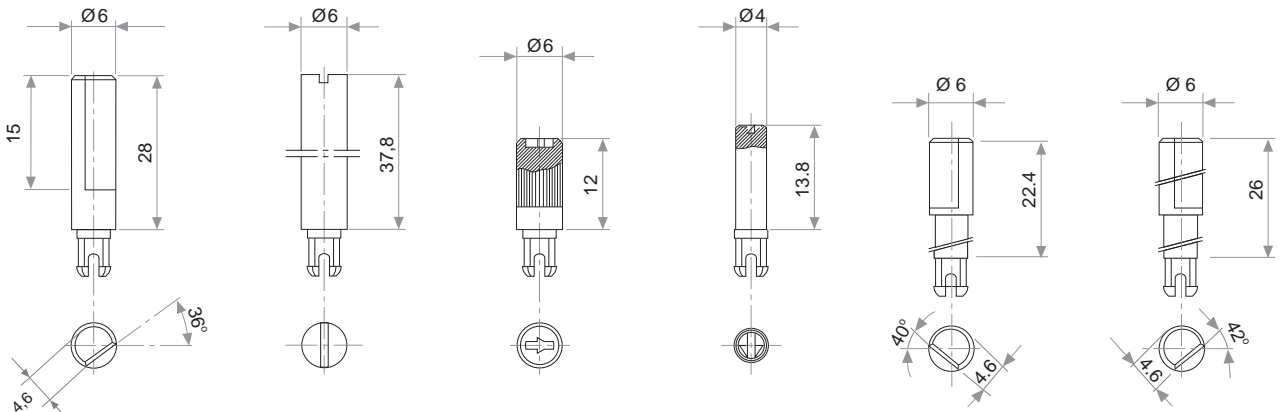


Fig. 20 / Ref. 5369* Fig. 21 / Ref. 6031* Fig. 22 / Ref. 6029 Fig. 23 / Ref. 6022 Fig. 24 / Ref. 6058 Fig. 25 / Ref. 6059

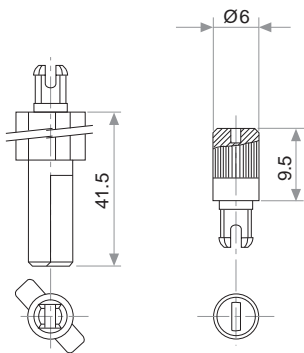


Fig. 27 / Ref. 5268* Fig. 28 / Ref. 6055

* Not available in self extinguishable plastic

THUMBWHEEL

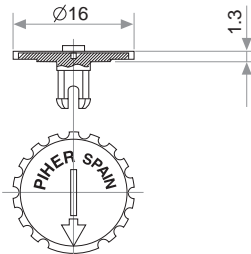


Fig. 4 / Ref. 5371

X-ON Electronics

Largest Supplier of Electrical and Electronic Components

Click to view similar products for [Amphenol manufacturer](#):

Other Similar products are found below :

[000-1075](#) [000-11050](#) [000-12650](#) [000-14000](#) [000-15875](#) [000-16050](#) [000-16075](#) [000-16750](#) [000-18225](#) [000-18750](#) [000-27000](#) [000-27025](#)
[000-27075](#) [000-27975](#) [000-28000](#) [000-2900](#) [000-29100](#) [000-32225](#) [000-34000](#) [000-34025](#) [000-34025-RFX](#) [000-34125](#) [000-34450](#) [000-34475](#) [000-34525](#) [000-35275](#) [000-35650-51](#) [000-35650-75](#) [000-36650-3RFX](#) [000-36775](#) [000-36800](#) [000-36800-RFX](#) [000-36825](#) [000-36875](#)
[000-4400](#) [000-4500](#) [000-46650-51](#) [000-46650-51RFX](#) [000-46650-75RFX](#) [000-46650-93RFX](#) [000-47000](#) [000-4700-51](#) [000-47025](#) [000-49000](#) [000-49000-RFX](#) [000-5275](#) [000-53100](#) [000-53100-1004](#) [000-53150](#) [000-53225](#)