

FEATURES

- Carbon resistive element.
- Dust proof enclosure.
- Polyester substrate.
- Also upon request:
 - Wiper positioned at 50% or fully clockwise
 - Supplied in magazines for automatic insertion
 - Long life model PT-6...E (10,000 cycles)
 - Without crimping model. PT-6...SC
 - Housing available in self extinguishable plastic (VL94V0)

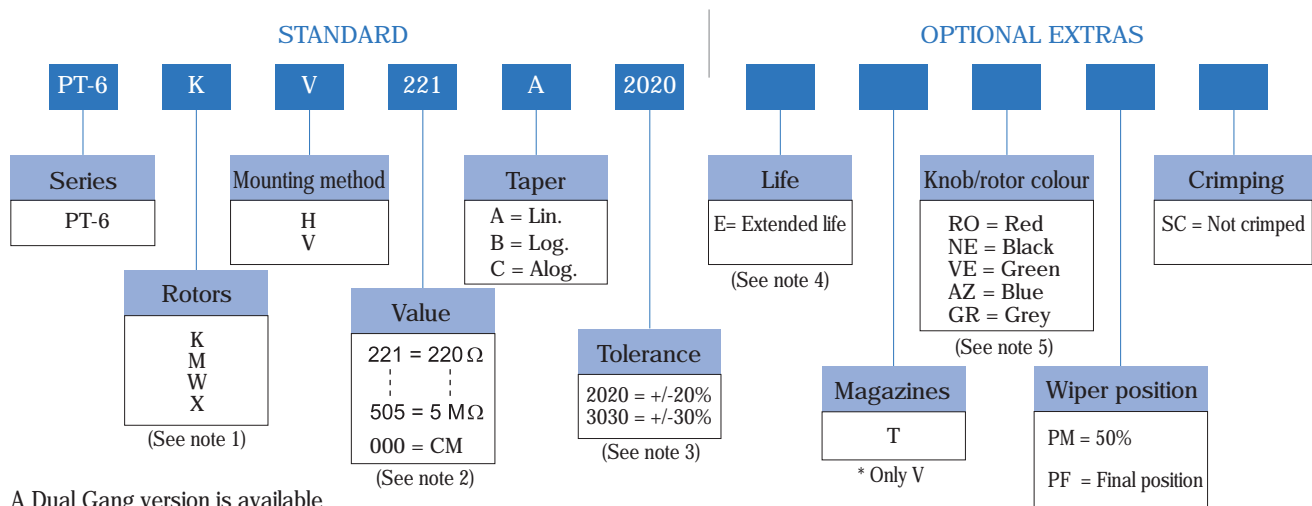
MECHANICAL SPECIFICATIONS

- Mechanical Rotation angle: $235^\circ \pm 5^\circ$
- Electrical Rotation angle: $200^\circ \pm 20^\circ$
- Torque: 0.2 to 2 Ncm. (0.3 to 2.7 in-oz)
- Stop torque: > 4 Ncm. (> 5.6 in-oz)

ELECTRICAL SPECIFICATIONS

- Range of values (*)
 $220\Omega \leq R_n \leq 5M$ (Decad. 1.0 - 2.0 - 2.2 - 2.5 - 4.7 - 5.0)
 - Tolerance (*): $220\Omega \leq R_n \leq 1M\Omega$ $\pm 20\%$
 $1M\Omega < R_n \leq 5M\Omega$ $\pm 30\%$
 - Max. Voltage: 100 VDC (lin), 50 VDC (no lin)
 - Nominal Power $50^\circ C$ ($122^\circ F$) (see power rating curve)
0.1 W (lin) 0.05 W (no lin)
 - Taper (*) (Log & Alog. only $R_n > 1K$)
Lin; Log; Alog.
 - Residual resistance: $\leq 5 \cdot 10^{-3} R_n$ (2Ω min)
 - Equivalent Noise Resistance: $\leq 3\% R_n$ (3Ω min)
 - Operating Temperature**: $-25^\circ C + 70^\circ C$ ($-13^\circ F + 158^\circ F$)
- (*) Others upon request. ** Up to $85^\circ C$ depending on application

HOW TO ORDER



A Dual Gang version is available (see Low Torque Ganged Trimmer data sheet).

NOTES:

- Adjust. type: «X» is only available with horizontal adjusting method.
- Value: - Code: $\frac{22}{1} = 220\Omega$
 - 000 = CM = Switch (see diagram)
 → Number of zeros
 → First two digits.
- Tolerance (non standard): Upon request: Code eg.: $\frac{+7}{-5} = \frac{07}{05}$
 → Negative tolerance
 → Positive tolerance
- Life: • Normal = 500 cycles • Long = 10,000 cycles
- Potentiometer without knob, only the rotor. Potentiometer with knob, only the knob.

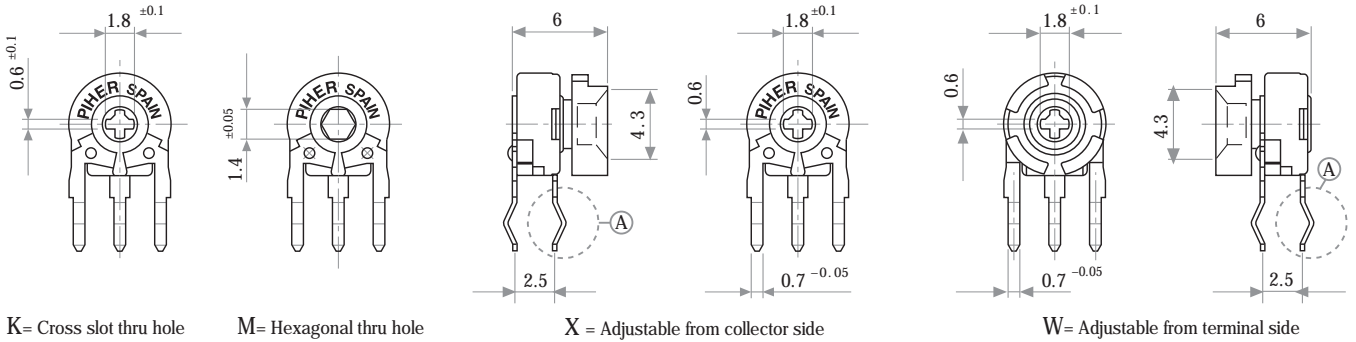
NOTE: The information contained here in may be changed without prior notice.

PT-6 KV + DRAWING NUMBER (Max. 16 characters)

This way of ordering should be used for options which are not included in the "How to order" standard and optional extras.

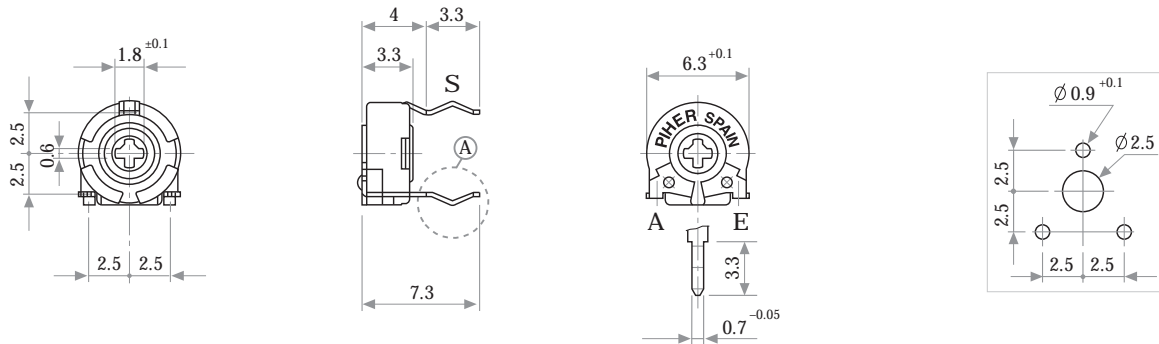
Mechanical life 500 cycles
 Packing Bulk
 Rotor colour White
 Wiper position Initial
 Crimping With crimping

ROTORS

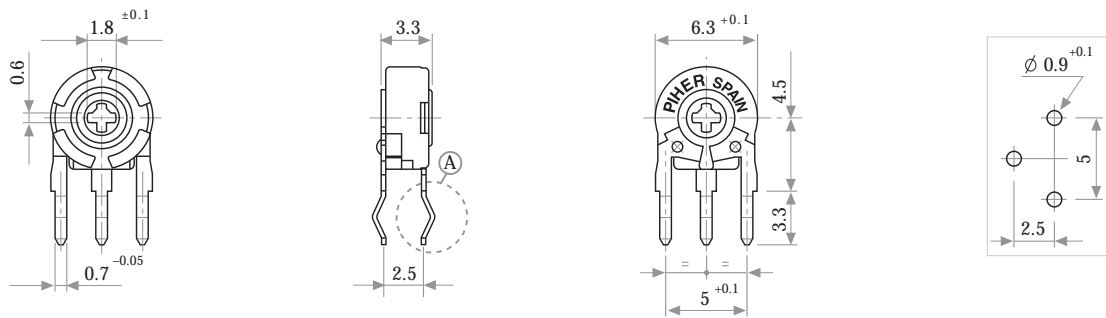


MOUNTING METHODS. VARIATIONS

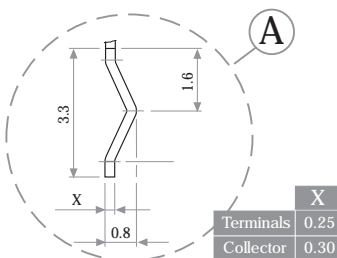
V = Horizontal mount / Vertical adjust



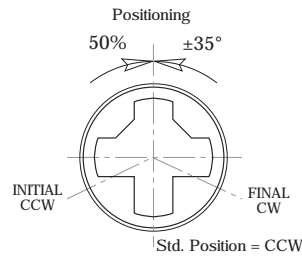
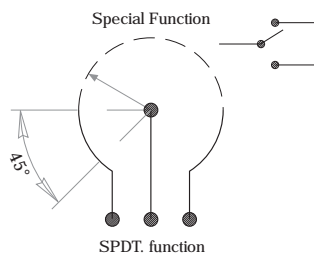
h = Vertical mount / Horizontal adjust



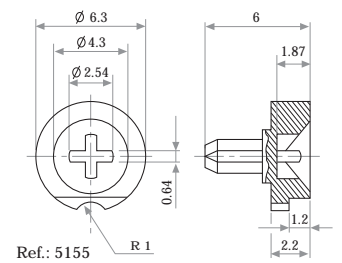
DETAIL



OPTIONS



KNOB



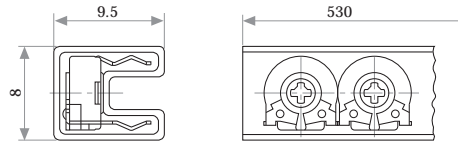
BOXES

Model	Units
All	1.000

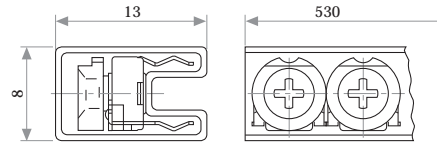
AUTOMATIC INSERTION

Magazines	Units per magazine
PT-6 V & PT-6 WV	80 Pieces

Magazines for PT-6 V with or without crimp.

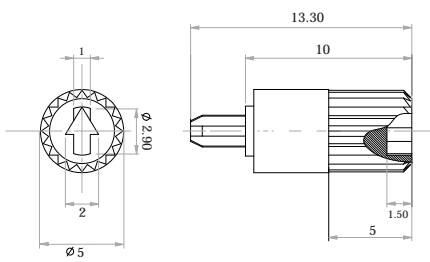


Magazines for PT-6 WV with or without crimp.



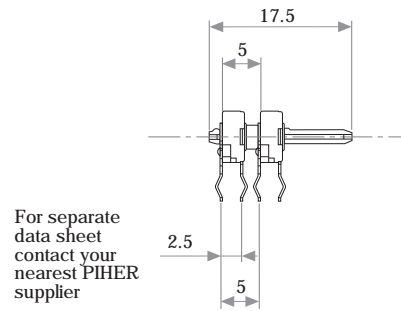
SHAFT

Ref.: 6132



Please order Shaft Separately

PT-6 DUAL GANG VERSION



For separate data sheet contact your nearest PIHER supplier

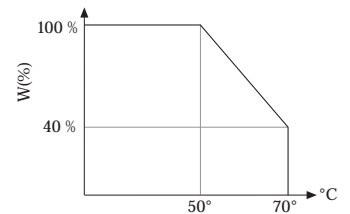
TESTS

TYPICAL VARIATIONS

POWER RATING CURVE

ELECTRICAL LIFE	1.000 h. @ 50°C: 0.1 W	±5 %
MECHANICAL LIFE (CYCLES)	200 @ 10 CPM ...15 CPM	±3 % (Rn < 1 MΩ)
TEMPERATURE COEFFICIENT	-25°C; +70°C	±300 ppm (Rn < 100 K)
THERMAL CYCLING	16 h. @ 85°C; 2h. @ -25°C	±2.5 %
DAMP HEAT	500 h. @ 40°C @ 95% HR	±5 %
VIBRATION (for each plane X,Y,Z)	2 h. @ 10 Hz. ... 55 Hz.	±2 %

NOTE: Out of range values may not comply with these results.



X-ON Electronics

Largest Supplier of Electrical and Electronic Components

Click to view similar products for [Trimmer Resistors - Through Hole](#) category:

Click to view products by [Amphenol](#) manufacturer:

Other Similar products are found below :

[64W205](#) [M63X504KB40](#) [CT6P-103](#) [CB10MV105ME](#) [CB10MV473ME](#) [4270W105K](#) [82PR2KLFTB](#) [SK 104 25,4](#) [STC TO 220](#) [9702-2SL-1](#)
[78SR5K](#) [CT15NV15103M](#) [78SBWR1K](#) [343P10](#) [404806412013](#) [PTC15NV02-104A2020](#) [FT-63EP103](#) [RJ-5EW502](#) [ST15NV15-103A3030-](#)
[E-PM-S](#) [RJ-13B202](#) [PTC10MH05-103A2020](#) [RJ-5EW203](#) [RJ-5EW103](#) [FT-63ES103](#) [RJ-13PR253](#) [RJ-6P503](#) [PV37W203C01B00](#)
[PV36X103C01B00](#) [T910Y-200K](#) [PT15NV15-502A2020-S](#) [PT10LH01204A2020S](#) [PT6MV-204A2020-](#) [PT15NV17-104A2020-S](#) [T910Y-](#)
[200R](#) [PT10MH02-102A2020-S](#) [VA05H-1-101](#) [PV37X104C01B00](#) [CN-15.1-100K](#) [CN-15.1-22K](#) [CN-15.1-3K3](#) [CN-15.2-10K](#) [R0141-2-100K](#)
[R0141-2-10K](#) [R0141-2-1K](#) [R0141-2-20K](#) [R0141-2-5K](#) [1028F-500K](#) [R16148-1A-1-A22K](#) [R16148-1A-1-A2K2](#) [R16148-1A-1-B1K](#) [R16148-](#)
[1A-1-B220K](#)