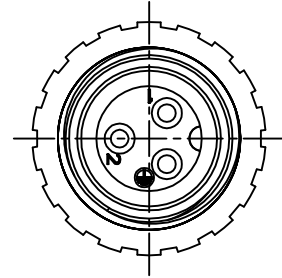
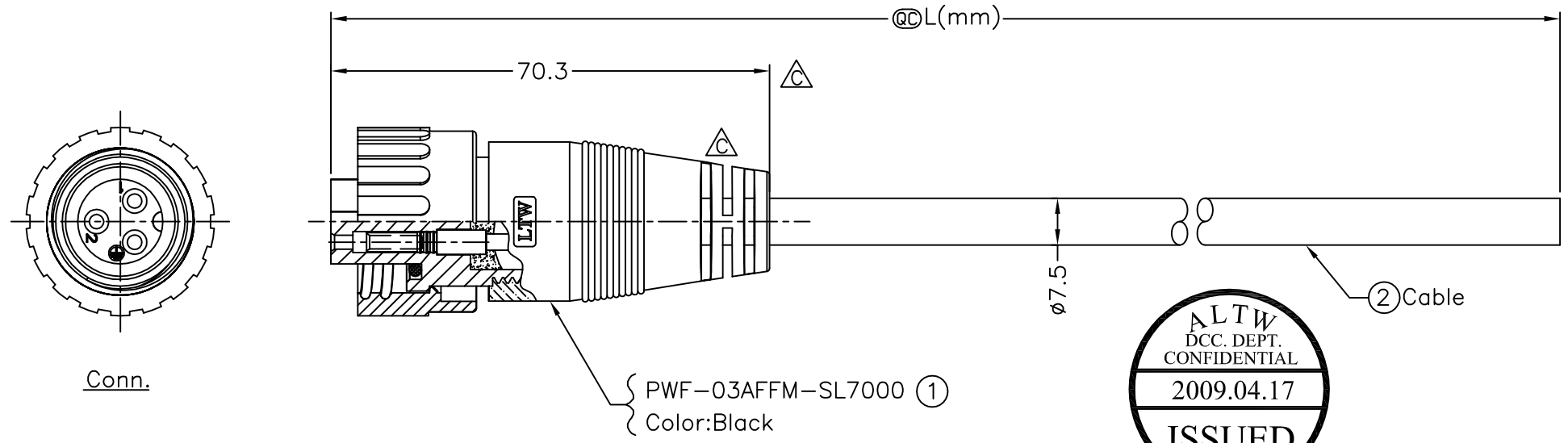
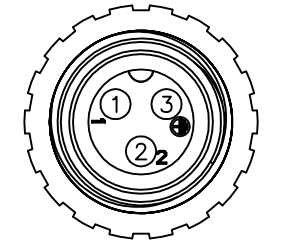


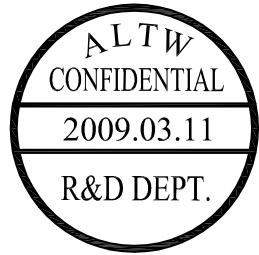
REV.	ECN NO.	DATE	SIGN	DESCRIPTION
B	LEN-7C0064	2007/12/10	Zhong Qin	Change Dimension Tolerance.
C	LEN-940126~30	2009/03/11	Li Xiu Zhi	Change SR & Dimension



Conn.



Pin Assignments
Front View 前視圖



PWF-03AFFM-SL7AXX
 ↑
 XX:01~99Meter
 01:01Meter
 02:02Meters
 :
 :
 99:99Meters
 Cable Length(L):01~99Meters

- Note:
- * @C Important Dimensions To Check.
 - * Waterproof Rate: IP67
 - * Housing: Black, Nylon+GF
 - * Pin: Copper Alloy, Gold Plated
 - * Ring: Black, EPDM
 - * Nut: Black, Nylon+GF
 - * Cable: UL2464 16WG*3C+D+AL
Black, PVC Jacket UV Resistant, OD=7.5mm
 - * Cable Length Tolerance: 01M:40mm
02M~05M:60mm
06M~10M:100mm
11M~30M:200mm
31M~99M:500mm

3	Black	黑
2	Blue	藍
1	Brown	棕
Conn.	Wire Color	Pin Out

UNIT:mm	
TOLERANCE	$\Delta \pm 0.5mm$

TITLE Power, Cable Screw 3Pin F Conn. F Pin	
SCALE Free	SHEET 1 OF 1
REV. C	SIZE A4
@C : Inspection Item	

Amphenol LTW
 安費諾亮泰企業股份有限公司

ITEM NO	DRAWN BY Li Xiu Zhi	DATE 2009/03/11
DWG NO PWF-03AFFM-SL7AXX	CHECKED BY Sunny	DATE 2009/03/11
CUSTOMER ALTW	APPROVED BY Bin	DATE 2009/03/12

THIS DOCUMENT IS SUBJECT TO CHANGE WITHOUT NOTICE. IT IS CONFIDENTIAL AND A PROPERTY OF Amphenol LTW. DISCLOSURE TO THIRD PARTY HAS TO BE AUTHORIZED BY Amphenol LTW.

X-ON Electronics

Largest Supplier of Electrical and Electronic Components

Click to view similar products for [Standard Circular Connector](#) category:

Click to view products by [Amphenol](#) manufacturer:

Other Similar products are found below :

[5M2530B10P](#) [600259N006](#) [600273N007](#) [6134-336-13149](#) [6134-337-11149](#) [6134-337-2390](#) [6134-341-17149](#) [6280-4SG-516](#) [6280-7SG-3DC](#)
[6290](#) [6291A](#) [66200A-10](#) [680-SMG](#) [681-PMG](#) [CXS3102A14S2P](#) [CXS3102A181S](#) [7251-6SG-300](#) [7271-6SG-300](#) [7282-3PG-300-CH3](#) [75-](#)
[474014-05S](#) [75-474618-01S](#) [75-474618-04S](#) [799539-000](#) [MI8-SE](#) [805-005-07NF11-19PC](#) [805-005-07NF15-7PA](#) [8280-4PG-516](#) [8280-7PG-](#)
[519](#) [8282-5PG-519](#) [836783-1](#) [MP-4102-25P-C](#) [862256-1](#) [864019-2](#) [866857-1](#) [867865-1](#) [PT01SP-14-18P](#) [PT08P-14-5S](#) [PTSF06SE-14-12S](#)
[120-1833-000](#) [QCM019PC2DC012B](#) [1-2069279-1](#) [121583-0217](#) [121667-0020](#) [129591AU](#) [1000B BULK](#) [RD10A16-19-P6CS051/1](#)
[RD10A20-31-P8CS051/1](#) [RD16A14-12-S6CS051/2](#) [1301240290](#) [1301240347](#) [1301860202](#)