



CATALOGUE

Power Connector

PWE, PWF, PWG



PWC, PWCU



PWL



Power II Series: PWJ, PWH

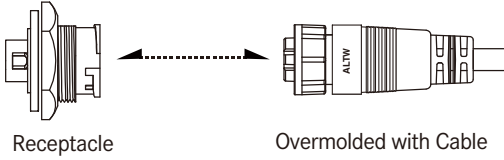


PWCU

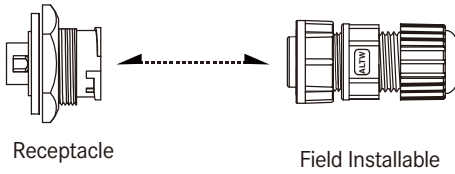


Range Overview

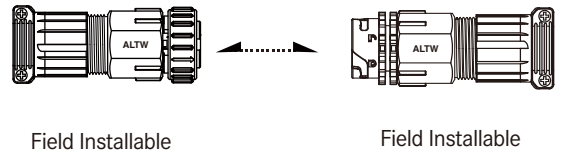
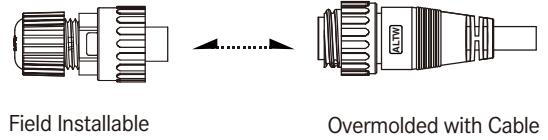
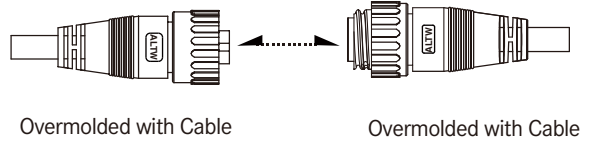
Receptacle to Overmolded with Cable



Receptacle to Field Installable



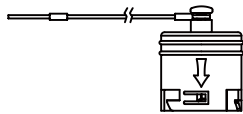
In Line



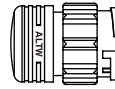
Accessories



Waterproof Cap
See page 21-13



Waterproof Cap
See page 21-13



Waterproof Cap
See page 21-13

[Note] Design and specification are subject to change without notice.

Specification

Identifications	Power Connector
Description	Receptacle Overmolded with Cable Field Installable
Current Rating / Data	8A, 12A, 16A, 20A, 25A, 30A, 10A+2A, 20A+2A
Material	Contacts: Copper Alloy, Gold Plated Connector Body (Housing) : Nylon+GF, UL Recognized, PPE
Waterproof Rating	IP66~68
Temperature Range	Receptacle : -40°C ~ +105°C Overmolded with Cable : -20°C ~ +80°C Field Installable : -40°C ~ +105°C
Contact Resistance	≤ 5mΩ
Insulation Resistance	≥ 100MΩ at DC500V
Durability	500 cycles
Breakdown Voltage	≥ AC 1000V / 1 minute
More to know	Standard Cable Length: 01~99M

Ordering Information

1	2	3	4	5	6	7	8	9	10
Specification / Current Rating (PWE) 8A (PWCU) 20A+2A (PWF) 12A (PWG) 16A (PWC) 20A (PWJ) 30A* (PWH) 25A* (PWL) 30A**									
Number of Contacts 02, 03, 04, 05, 06, 07.... EX. (02) = 2 Contacts									
Connector Body (Style) <u>> For Receptacle</u> (P) Front Fastened (R) Rear Fastened		<u>> For Overmolded with Cable</u> (A) With Strain Relief (B) Without Strain Relief <u>> For Field installable</u> (B) Without Strain Relief							
Connector (Housing) Gender (M) Male Connector (F) Female Connector									
Contact Gender (M) Male (C) Combo (F) Female									
Assemble Style <u>> For Receptacle</u> (S) Solder Type (B) Screw in Type (C) Crimp Type		<u>> For Overmolded with Cable</u> (M) Overmolded with Cable <u>> For Field Installable</u> (A) Field installable (Solder) (B) Screw in Type (C) Crimp Type							
Mating Style (S) Screw Thread (L) 2 or 3 Points Lock Bayonet (T) 3 Points Lock Bayonet									
Backshell <u>> For Receptacle</u> (C) Circular (S) Square		<u>> For Overmolded with Cable</u> (L) Straight (R) Right Angle		<u>> For Field Installable</u> (L) Straight (R) Right Angle					
Waterproof Rating (6) IP 66 (7) IP 67 (8) IP 68									
More Information <u>> For Receptacle</u> 001, 002, 003..... Without Cable : Different Versions		<u>> For Overmolded with Cable</u> (□)+(■) : Cable Type + Cable Length EX. (A01) = UL2464 Cable + 1M (■) : Cable Type (■) : Cable Length (A) UL2464 Cable (D) SJTW Cable From 1M to 99M (B) Power Cable(TC-ER) (E) H05 Cable EX. (01) = 1M (C) SJTOW Cable (F) H07 Cable		<u>> For Field Installable</u> (001) Cable OD range 12-16mm (002) Cable OD range 09-12mm					

* Recommended For Inverter Application

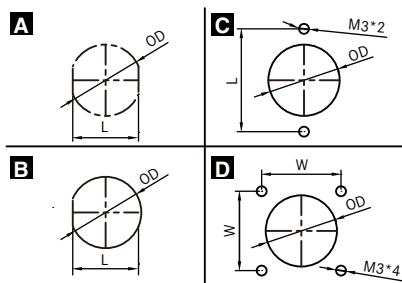
** Recommended For LED Application

[Note] Design and specification are subject to change without notice.

Physical Dimension

Receptacle Cut-Out

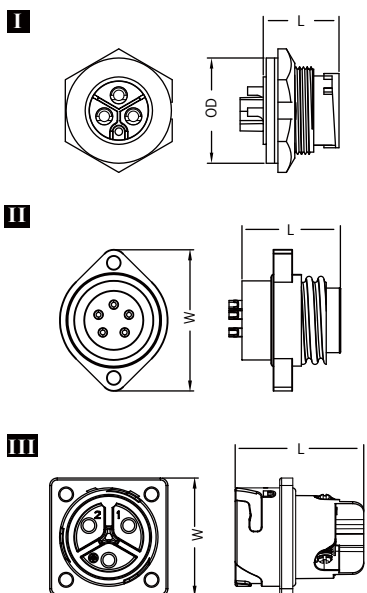
Panel Cut-Out



Connector(Housing) Gender Current Rating*	Type	L / W		OD	
		Male		Female	
8A (PWE)	C	31.1	21.55	31.1	21.55
12A (PWF)	C	31.1	21.55	31.1	21.55
16A (PWG)	C	31.1	21.60	31.1	21.60
20A (PWC)	B	19.4	20.80	-	-
25A (PWH)	B	30.2	32.00	-	-
	A	23.2	25.20	-	-
20A+2A (PWCU)	B	19.4	20.80	-	-
30A (PWL)	D	23.0	23.00	-	-
30A (PWJ)	A	23.2	25.20	-	-

Unit: mm

Connector Dimension

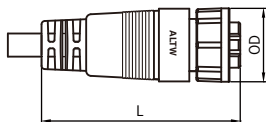


Connector(Housing) Gender Current Rating*	Type	L		OD / W		Recommend Panel Thickness
		Female	Male	Female	Male	Female & Male
8A (PWE)	II	27.50	26.50	38.00	38.00	-
12A (PWF)	II	27.50	26.50	38.00	38.00	-
16A (PWG)	II	32.40	31.00	38.00	38.00	-
20A (PWC)	I	-	18.00	-	25.00	4.5 mm Max.
25A (PWH)	I	-	55.00	-	40.00	5.0 mm Max.
		-	47.00	-	35.00	0.5~8 mm
20A+2A (PWCU)	I	-	18.00	-	25.00	4.5 mm Max.
30A (PWL)	III	-	34.60	-	31.80	-
30A (PWJ)	I	-	47.00	-	35.00	0.5~8 mm

Unit: mm

*Current rating represents a maximum value for a largest wire size recommended for use.

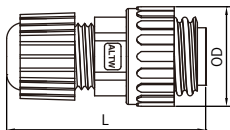
Overmolded with Cable



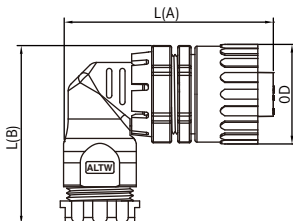
Connector(Housing) Gender Current Rating*	L		OD	
	Female	Male	Female	Male
8A (PWE)	70.3	72.0	30.2	30.2
12A (PWF)	70.3	72.0	30.2	30.2
20A (PWC)	60.0	65.5	22.2 (L)** 23.0 (T)**	18.0
25A (PWH)	91.55	100.4	40.0	31.75
20A+2A (PWCU)	60.0	65.5	22.2	18.0

** (L) 2 Points Lock Bayonet | (T) 3 Points Lock Bayonet

Field Installable



(See 3rd top-right hand chart)



(See bottom right hand chart)

Connector(Housing) Gender Current Rating*	L		OD	
	Female	Male	Female	Male
8A (PWE)	60.7	60.4	30.2	30.2
12A (PWF)	60.7	60.4	30.2	30.2
16A (PWG)	67.0	67.0	30.2	30.2
20A (PWC)	48.15	-	22.2	-
20A+2A (PWCU)	88.4	91.0	33.0	26.9
	48.15	-	22.2	-
25A (PWH)	87.4	84.1	38.0	38.0
30A (PWL)	92.14	-	35.2	-
30A (PWJ)	87.4	84.1	38.0	38.0

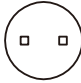
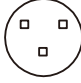


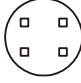




Connector(Housing) Gender Current Rating	L [A]	L [B]	OD
	Female / Male	Female / Male	Female / Male
16A (PWG)	62.0	54.0	30.2






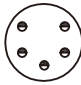
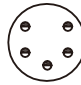

Unit: mm

*Current rating represents a maximum value for a largest wire size recommended for use.

[Note] Design and specification are subject to change without notice.

Contact Configuration

	8A (PWE)		12A (PWF)		16A (PWG)		20A (PWC)	
	MM or FF	MF or FM	MM or FF	MF or FM	MM or FF	MF or FM	MM or FF	MF or FM
4 5								
2Contacts (02)								
			R C F					
3Contacts (03)								
			R C F				R C	R C
4Contacts (04)								
			R C F					
5Contacts (05)								
	R C F							
6Contacts (06)								
	R C F							
7Contacts (07)								
	R C F							
12Contacts (12)								

25A (PWH)		20A+2A (PWCU)		30A (PWL)/(PWJ)			
MM or FF	MF or FM	MM or FF	MF or FM	MM or FF	MF or FM		
							
R	C			R	F		
							
		R	C	F	R	C	F
							
R	F	R	F				
							
			F				

R: receptacle
 C: overmolded with cable
 F: field installable


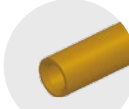



- 1**
- △ 8A (PWE)
 - 12A (PWF)
 - ◆ 16A (PWG)
 - ◇ 20A (PWC)
 - 25A (PWH)
 - ◊ 20A+2A (PWCU)
 - 30A (PWL)

2
 Number of Contacts:
 Ex. 2 contacts (02)

4
 Connector (Housing) Gender:
 Male(M) or Female(F)

5
 Contact Gender:
 Male(M) or Female(F)

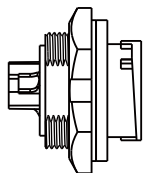
6
 More to Choose:

- Solder (S)
 - Solder Cup 
 - Solder Contact 
- Screw In (B) 
- Crimped (C)  + 

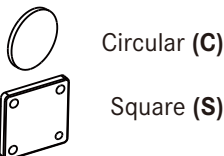
[Note] Design and specification are subject to change without notice.

Product Features

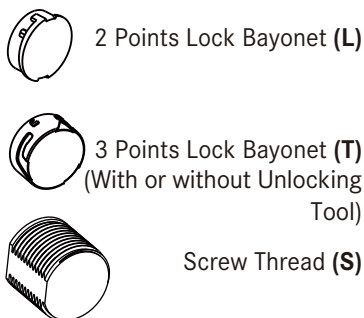
Receptacle



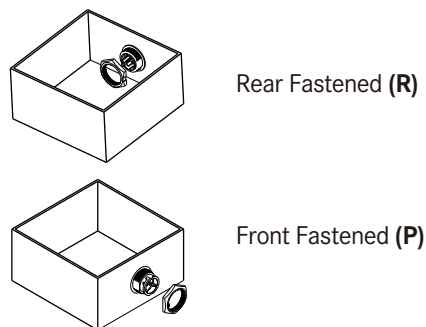
Backshell 8



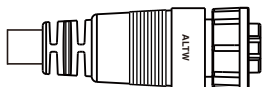
Mating Style 7



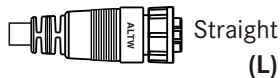
Connector Body(Style) 3



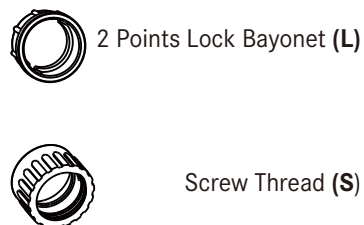
Overmolded with Cable



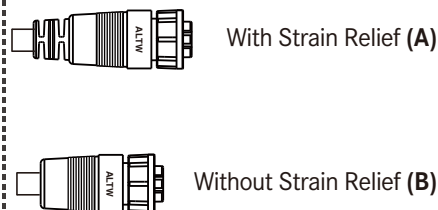
Backshell 8



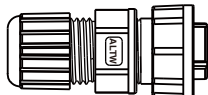
Mating Style 7



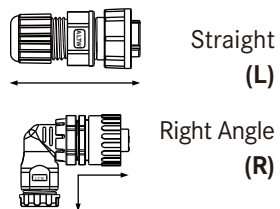
Connector Body(Style) 3



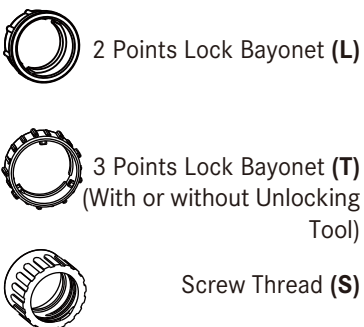
Field Installable



Backshell 8



Mating Style 7



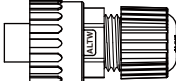


Connector Body(Style) 3



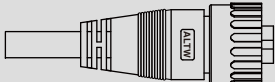
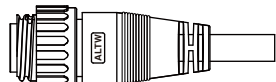
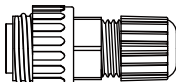
Find Our Standard Products

┘ In-line

<ul style="list-style-type: none"> • Male Connector (Housing) • Male Contacts • Screw Thread 		Overmolded with Cable →	Overmolded with Cable →	Field Installable
				
Current Rating (Code)	Contacts ②	Male Connector (M) Male Contacts (M)	Female Connector (F) Female Contacts (F)	Female Connector (F) Female Contacts (F)
8A (PWE)	05,06,07	PWE- ② AMMM-SL7A ^{XX} *	PWE- ② AFFM-SL7A ^{XX} *	PWE- ② BFFA-SL7001
12A (PWF)	02,03,04	PWF- ② AMMM-SL7A ^{XX} *	PWF- ② AFFM-SL7A ^{XX} *	PWF- ② BFFA-SL7001
25A (PWH)	03	PWH-03AMMM-SL7A ^{XX} *	PWH-03AFFM-SL7A ^{XX} *	-

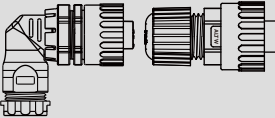

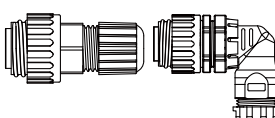
* XX: Choose the cable length from 01-99m

┘ In-line

<ul style="list-style-type: none"> • Female Connector (Housing) • Female Contacts • Screw Thread 		Overmolded with Cable →	Overmolded with Cable →	Field Installable
				
Current Rating (Code)	Contacts ②	Female Connector (F) Female Contacts (F)	Male Connector (M) Male Contacts (M)	Male Connector (M) Male Contacts (M)
8A (PWE)	05,06,07	PWE- ② AFFM-SL7A ^{XX} *	PWE- ② AMMM-SL7A ^{XX} *	PWE- ② BMMA-SL7001
12A (PWF)	02,03,04	PWF- ② AFFM-SL7A ^{XX} *	PWF- ② AMMM-SL7A ^{XX} *	PWF- ② BMMA-SL7001
25A (PWH)	03	PWH-03AFFM-SL7A ^{XX} *	PWH-03AMMM-SL7A ^{XX} *	-

* XX: Choose the cable length from 01-99m

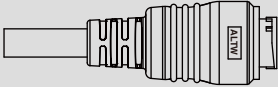
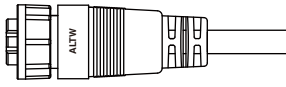
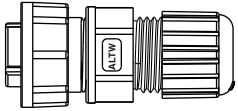
┘ In-line

<ul style="list-style-type: none"> • Female Connector (Housing) • Female Contacts • Screw Thread 		Field Installable →	Overmolded with Cable →	Field Installable
				
		⑧ Choose straight (L) or right angle (R)		⑧ Choose straight (L) or right angle (R)
Current Rating (Code)	Contacts ②	Female Connector (F) Female Contacts (F)	Male Connector (M) Male Contacts (M)	Male Connector (M) Male Contacts (M)
8A (PWE)	05~07	PWE- ② BFFA-SL7001	-	PWE- ② BMMA-SL7001
12A (PWF)	02~04	PWF- ② BFFA-SL7001	-	PWF- ② BMMA-SL7001
16A (PWG)	04	PWG-04BFFB-S ⑧ 7 ^{XXX} *	-	PWG-04BMMB-S ⑧ 7 ^{XXX} *

* XXX: Choose Pin Plated: Gold Plated (001), Silver Plated (002) to Tin Plated (003)

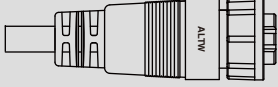

[Note] Design and specification are subject to change without notice.

↘ **In-line**

<ul style="list-style-type: none"> • Male Connector (Housing) • Male Contacts • 2 Points Lock Bayonet & 3 Points Lock Bayonet 		Overmolded with Cable →	Overmolded with Cable →	Field Installable
				
Current Rating (Code)	Contacts	Male Connector (M) Male Contacts (M)	Female Connector (F) Female Contacts (F)	Female Connector (F) Female Contacts (F)
20A (PWC)	03	PWC-03AMMM-LL7A ^{XX} * PWC-03AMMM-LL7B ^{XX} * PWC-03AMMM-LL7D ^{XX} * PWC-03AMMM-LL7E ^{XX} * PWC-03BMMM-LL7D ^{XX} * PWC-03BMMM-LL7E ^{XX} * PWC-03AMMM-TL7A ^{XX} * PWC-03AMMM-TL7B ^{XX} *	PWC-03AFFM-LL7A ^{XX} * PWC-03AFFM-LL7B ^{XX} * PWC-03AFFM-LL7D ^{XX} * PWC-03AFFM-LL7E ^{XX} * PWC-03BFFM-LL7D ^{XX} * PWC-03BFFM-LL7E ^{XX} * PWC-03AFFM-TL7A ^{XX} * PWC-03AFFM-TL7B ^{XX} *	PWC-03BFFA-LL7 ^{XXX} ** PWC-03BFFA-TL7001
20A+2A (PWCU)	04	PWCU-04AMMM-LL7A ^{XX} * PWCU-04AMMM-LL7B ^{XX} * PWCU-04AMMM-TL7A ^{XX} * PWCU-04AMMM-TL7B ^{XX} *	PWCU-04AFFM-LL7A ^{XX} * PWCU-04AFFM-LL7B ^{XX} * PWCU-04AFFM-TL7A ^{XX} * PWCU-04AFFM-TL7B ^{XX} *	PWCU-04BFFA-LL7 ^{XXX} ** PWCU-04BFFA-TL7001

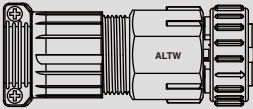
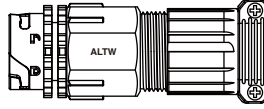
* ^{XX}: Choose the cable length from 01~99m
 ** ^{XXX}: Select UL (002) or Non-UL (001)

↘ **In-line**

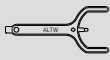


<ul style="list-style-type: none"> • Female Connector (Housing) • Female Contacts • 2 Points Lock Bayonet 		Overmolded with Cable →	Overmolded with Cable →	Field Installable
				
Current Rating (Code)	Contacts	Female Connector (F) Female Contacts (F)	Male Connector (M) Male Contacts (M)	-
20A (PWC)	03	PWC-03AFFM-LL7A ^{XX} * PWC-03AFFM-LL7B ^{XX} * PWC-03AFFM-LL7D ^{XX} * PWC-03AFFM-LL7E ^{XX} *	PWC-03AMMM-LL7A ^{XX} * PWC-03AMMM-LL7B ^{XX} * PWC-03AMMM-LL7D ^{XX} * PWC-03AMMM-LL7E ^{XX} *	-
20A+2A (PWCU)	(1+3)	PWCU-04AFFM-LL7A ^{XX} * PWCU-04AFFM-LL7B ^{XX} *	PWCU-04AMMM-LL7A ^{XX} * PWCU-04AMMM-LL7B ^{XX} *	-

* ^{XX}: Choose the cable length from 01~99m

∟ In-line

<ul style="list-style-type: none"> • Female Connector (Housing) • Female Contacts • 3 Points Lock Bayonet 		Field Installable	Overmolded with Cable	Field Installable
				
Current Rating (Code)	Contacts	Female Connector (F) Female Contacts (F)	Male Connector (M) Male Contacts (M)	Male Connector (M) Male Contacts (M)
20A+2A (PWCU)	(6+6)	PWCU-12BFFA-TL7001	-	PWCU-12BMMA-TL7001

∟ In-line





<ul style="list-style-type: none"> • Male Connector (Housing) • Male Contacts • 3 Points Lock Bayonet • Unlock Tool Needed (Part Number: ANB00010649) 		Field Installable	Overmolded with Cable	Field Installable
				
Current Rating (Code)	Contacts	Male Connector (M) Male Contacts (M)	Female Connector (F) Female Contacts (F)	Female Connector (F)** Female Contacts (F)
25A (PWH)	05	PWH-05BMMC-LL8XXX*	-	PWH-05BFFC-LL8XXX*
30A (PWJ)	03	PWJ-03BMMB-LL8XXX*	-	PWJ-03BFFB-LL8XXX*

* XXX: Choose the cable OD range 12~16mm (001) or OD 09~12mm (002)

** The unlock tool is packed with the female connector to sell.

[Note] Design and specification are subject to change without notice.

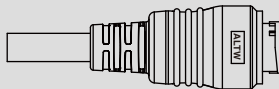
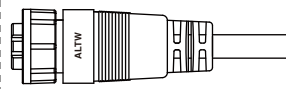
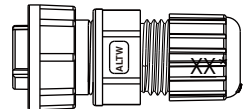
↘ In-line

<ul style="list-style-type: none"> • Male Connector (Housing) • Female Contacts • 3 Points Lock Bayonet • Unlock Tool Needed (Part Number: ANB00010649) 		Field Installable 	Overmolded with Cable 	Field Installable 
Current Rating (Code)	Contacts	Male Connector (M) Female Contacts (F)	Female Connector (F) Male Contacts (M)	Female Connector (F)** Male Contacts (M)
25A (PWH)	05	PWH-05BMFC-LL8XXX*	-	PWH-05BFMC-LL8XXX*
30A (PWJ)	03	PWJ-03BMFB-LL8XXX*	-	PWJ-03BFMB-LL8XXX*

* XXX: Choose the cable OD range 12~16mm (001) or OD 09~12mm (002)

** The unlock tool is packed with the female connector to sell.

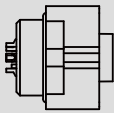

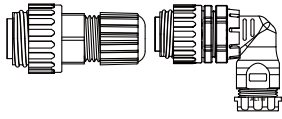
↘ In-line

<ul style="list-style-type: none"> • Male Connector (Housing) • Male Contacts • 2 Points Lock Bayonet & 3 Points Lock Bayonet 		Overmolded with Cable 	Overmolded with Cable 	Field Installable 
Current Rating (Code)	Contacts	Male Connector (M) Female Contacts (F)	Female Connector (F) Male Contacts (M)	Female Connector (F) Male Contacts (M)
20A (PWC)	03	PWC-03AMFM-LL7AXX* PWC-03AMFM-LL7BXX* PWC-03AMFM-LL7DXX* PWC-03AMFM-LL7EXX* PWC-03BMFM-LL7DXX* PWC-03BMFM-LL7EXX* PWC-03AMFM-TL7AXX* PWC-03AMFM-TL7BXX*	PWC-03AFMM-LL7AXX* PWC-03AFMM-LL7BXX* PWC-03AFMM-LL7DXX* PWC-03AFMM-LL7EXX* PWC-03BFMM-LL7DXX* PWC-03BFMM-LL7EXX* PWC-03AFMM-TL7AXX* PWC-03AFMM-TL7BXX*	PWC-03BFMA-LL7XXX**
20A+2A (PWCU)	04	PWCU-04AMFM-LL7AXX* PWCU-04AMFM-LL7BXX*	PWCU-04AFMM-LL7AXX* PWCU-04AFMM-LL7BXX*	-

*XX: Choose the cable cable length from 1~99m

** XXX: Select UL (002) or Non-UL (001)

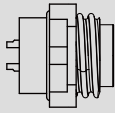
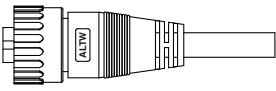
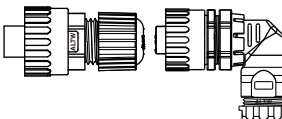
Receptacle and Mating Pair

<ul style="list-style-type: none"> • Female Connector (Housing) • Female Contacts • Screw Thread 		Receptacle 	Overmolded with Cable 	Field Installable 
8 Choose straight (L) or right angle (R)				
Current Rating (Code)	Contacts 2	Female Connector (F) Female Contacts (F)	Male Connector (M) Male Contacts (M)	Male Connector (M) Male Contacts (M)
8A (PWE)	05~07	PWE-2 PFFS-SC7001	PWE-2 AMMM-SL7A \underline{XX} **	PWE-2 BMMA-SL7001
12A (PWF)	02~04	PWF-2 PFFS-SC7001	PWF-2 AMMM-SL7A \underline{XX} **	PWF-2 BMMA-SL7001
16A (PWG)	04	PWG-04PFFB-SC7 \underline{XXX} *	-	PWG-04BMMB-S 8 7 \underline{XXX} *

* Choose Pin Plated: Gold Plated (001) / Silver Plated (002) / Tin Plated (003)

** Choose the cable length from 01~99m

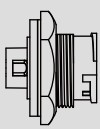
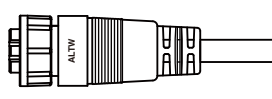
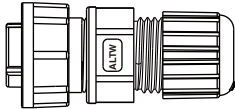
Receptacle and Mating Pair

<ul style="list-style-type: none"> • Male Connector (Housing) • Male Contacts • Screw Thread 		Receptacle 	Overmolded with Cable 	Field Installable 
8 Choose straight (L) or right angle (R)				
Current Rating (Code)	Contacts 2	Male Connector (M) Male Contacts (M)	Female Connector (F) Female Contacts (F)	Female Connector (F) Female Contacts (F)
8A (PWE)	05~07	PWE-2 PMMS-SC7001	PWE-2 AFFM-SL7A \underline{XX} **	PWE-2 BFFA-SL7001
12A (PWF)	02~04	PWF-2 PMMS-SC7001	PWF-2 AFFM-SL7A \underline{XX} **	PWF-2 BFFA-SL7001
16A (PWG)	04	PWG-2 PMMB-SC7 \underline{XXX} *	-	PWG-04BFFB-S 8 7 \underline{XXX} *
25A (PWH)	03	PWH-03PMMB-SC7001	PWH-03AFFM-SL7A \underline{XX} **	-

* Choose Pin Plated: Gold Plated (001) / Silver Plated (002) / Tin Plated (003)

** Choose the cable length from 01~99m

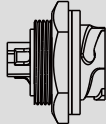
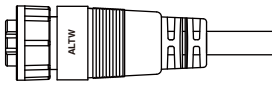
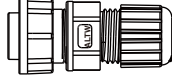
↘ Receptacle and Mating Pair

<ul style="list-style-type: none"> • Male Connector (Housing) • Male Contacts • 2 Points Lock Bayonet 		<p>Receptacle</p> 	<p>Overmolded with Cable</p> 	<p>Field Installable</p> 
Current Rating (Code)	Contacts	Male Connector (M) Male Contacts (M)	Female Connector (F) Female Contacts (F)	Female Connector (F) Female Contacts (F)
20A (PWC)	03	PWC-03PMMS-LC7001 (UL) PWC-03RMMS-LC7001 (Non UL) PWC-03RMMS-LC7002 (UL)	PWC-03AFFM-LL7A <u>XX</u> * PWC-03AFFM-LL7B <u>XX</u> * PWC-03AFFM-LL7D <u>XX</u> * PWC-03AFFM-LL7E <u>XX</u> * PWC-03BFFM-LL7D <u>XX</u> * PWC-03BFFM-LL7E <u>XX</u> *	PWC-03BFFA-LL7 <u>XXX</u> **
20A+2A (PWCU)	(3+1)	PWCU-04RMMS-LC7001 (Non UL) PWCU-04RMMS-LC7002 (UL)	PWCU-04AFFM-LL7A <u>XX</u> * PWCU-04AFFM-LL7B <u>XX</u> *	-

* XX: Choose the proper cable length from 01~99m

** XXX: Select UL (002) or Non-UL (001)


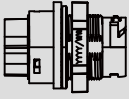
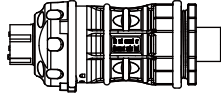
Receptacle and Mating Pair

<ul style="list-style-type: none"> • Male Connector (Housing) • Male Contacts • 3 Points Lock Bayonet 		<p>Receptacle</p> 	<p>Overmolded with Cable</p>  <p>** Cable length from 1~99m for your connector</p>	<p>Field Installable</p>  <p>***Selecting UL(002) or Non-UL (001)</p>
Current Rating (Code)	Contacts	Male Connector (M) Male Contacts (M)	Female Connector (F) Female Contacts (F)	Female Connector (F) Female Contacts (F)
20A (PWC)	03	PWC-03RMMS-TC7001	PWC-03AFFM-TL7A <u>XX</u> * PWC-03AFFM-TL7B <u>XX</u> *	-
30A (PWL)	03	PWL-03PMMB-TS7001	-	PWL-03BFFA-TL7 <u>XXX</u> **

* XX: Choose the proper cable length from 01~99m

** XXX: Select UL (002) or Non-UL (001)

Receptacle and Mating Pair

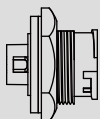
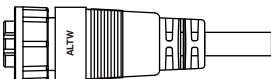
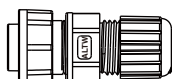
<ul style="list-style-type: none"> • Male Connector (Housing) • Male Contacts • 3 Points Lock Bayonet • PWH For Inverter Application • Unlock Tool Needed  (Part Number: ANB00010649) 		<p>Receptacle</p> 	<p>Overmolded with Cable</p>	<p>Field Installable</p>  <p>UL 6703A Certification (E-Number 346280)</p>
Current Rating (Code)	Contacts	Male Connector (M) Male Contacts (M)	Female Connector (F) Female Contacts (F)	Female Connector (F)* Female Contacts (F)
25A (PWH)	05	PWH-05PMMC-LC8001	-	PWH-05BFFC-LL8 <u>XXX</u> **
30A (PWJ)	03	PWJ-03PMMB-LC8001	-	PWJ-03BFFB-LL8 <u>XXX</u> **

* The unlock tool is packed with the female connector to sell.

** XXX: Select the cable OD range 12~16mm (001) or OD 09~12mm (002)

[Note] Design and specification are subject to change without notice.

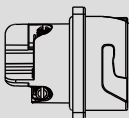
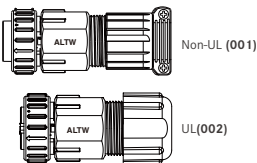
▾ Receptacle and Mating Pair

<ul style="list-style-type: none"> • Male Connector (Housing) • Female Contacts • 2 Points Lock Bayonet & 3 Points Lock Bayonet 		<p>Receptacle -----></p> 	<p>Overmolded with Cable -----></p> 	<p>Field Installable</p> 
Current Rating (Code)	Contacts	Male Connector (M) Female Contacts (F)	Female Connector (M) Male Contacts (F)	Female Connector (M) Male Contacts (F)
20A (PWC)	03	PWC-03PMFS-LC7001 PWC-03RMFS-LC7XXX* PWC-03RMFS-TC7001	PWC-03AFMM-LL7AXX** PWC-03AFMM-LL7BXX** PWC-03AFMM-LL7DXX** PWC-03AFMM-LL7EXX** PWC-03AFMM-TL7AXX** PWC-03AFMM-TL7BXX**	PWC-03BFMA-LL7XXX* PWC-03BFMA-TL7001
20A+2A (PWCU)	(3+1)	PWCU-04RMFS-LC7XXX*	PWCU-04AFMM-LL7AXX** PWCU-04AFMM-LL7BXX**	PWCU-04BFMA-LL7002


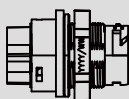

* XXX: Select UL (002) or Non-UL (001)

** XX: Choose the proper cable length from 01~99m

▾ Receptacle and Mating Pair

<ul style="list-style-type: none"> • Male Connector (Housing) • Female Contacts • 3 Points Lock Bayonet 		<p>Receptacle -----></p> 	<p>Overmolded with Cable -----></p>	<p>Field Installable</p> 
Current Rating (Code)	Contacts	Male Connector (M) Female Contacts (F)	Female Connector (F) Male Contacts (M)	Female Connector (F) Male Contacts (M)
30A (PWL)	03	PWL-03PMFB-TS7001	-	PWL-03BFMA-TL7XXX*

* XXX: Select UL (002) or Non-UL (001)

<ul style="list-style-type: none"> • Male Connector (Housing) • Female Contacts • 3 Points Lock Bayonet • PWJ & PWH For Inverter Application • Unlock Tool Needed  (Part Number: ANB00010649) 		<p>Receptacle -----></p> 	<p>Overmolded with Cable -----></p>	<p>Field Installable</p>  <p>UL 6703A Certification (E-Number 346280)</p>
Current Rating (Code)	Contacts	Male Connector (M) Female Contacts (F)	Female Connector (F) Male Contacts (M)	Female Connector (F)* Male Contacts (M)
25A (PWH)	05	PWH-05PMFC-LC8001	-	PWH-05BFMC-LL8XXX**
30A (PWJ)	03	PWJ-03PMFB-LC8001	-	PWJ-03BFMB-LL8XXX**

* The unlock tool is packed with the female connector to sell. ** XXX: Select the cable OD range 12~16mm (001) or OD 09~12mm (002)

Amphenol LTW Technology Co., Ltd.

5F-3, No.51, Sec.4, Zhongyang Rd., Tucheng Dist., New Taipei City 236, Taiwan
Telephone: +886-2-77416888 Fax: +886-2-77416999
www.amphenolltw.com

Kunshan Factory

No. 62, DaTong Road, Development Zone, Kunshan City, JiangSu Province, 215333 China
Telephone: +86-512-5761-0501
Fax: : +86-512-5761-0515

For further information, please contact :

Sales & Marketing Department | Email : sales@ltw-tech.com

X-ON Electronics

Largest Supplier of Electrical and Electronic Components

Click to view similar products for [Heavy Duty Power Connectors](#) category:

Click to view products by [Amphenol](#) manufacturer:

Other Similar products are found below :

[1424439](#) [1424438](#) [09330062652](#) [2-8675P1](#) [605601-1](#) [6340G1](#) [6341G1](#) [6360G1](#) [6373G1](#) [6374g2](#) [6396G1](#) [647757-1](#) [66394-4](#) [6643411-1](#)
[6646058-2](#) [6646137-1](#) [6646138-1](#) [6646348-1](#) [6646479-1](#) [6646608-1](#) [6646786-1](#) [6646940-1](#) [6651091-1](#) [6651525-1](#) [6651529-1](#) [6651778-1](#)
[6651788-1](#) [696465-1](#) [696475-1](#) [73000005059](#) [73000005349](#) [73000005642](#) [73080255059](#) [73080965046](#) [765-15-0080A](#) [765-16-0080B](#)
[789.700-44](#) [789.700-54](#) [80-1010](#) [80-9](#) [827381-1](#) [829992-1](#) [902-77-02113](#) [PL00U-301-10D10](#) [PM103MOOLOO](#) [PM16S1620S32-50](#)
[PM212MOOLOO](#) [PM309FOOLOO](#) [PM324FOOLCH](#) [PMHPAF11S03](#)