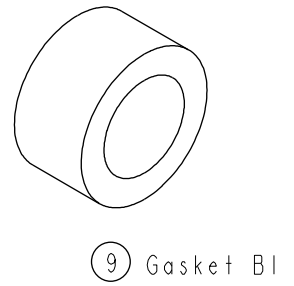
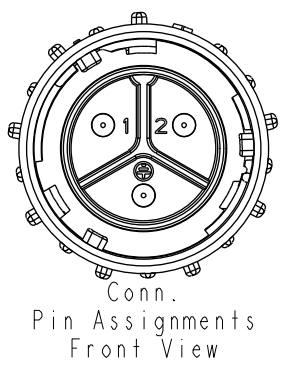
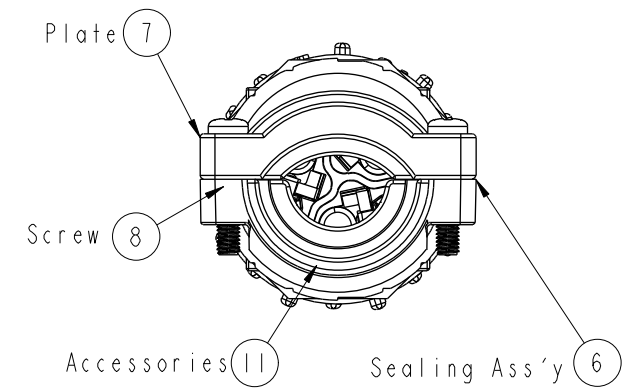
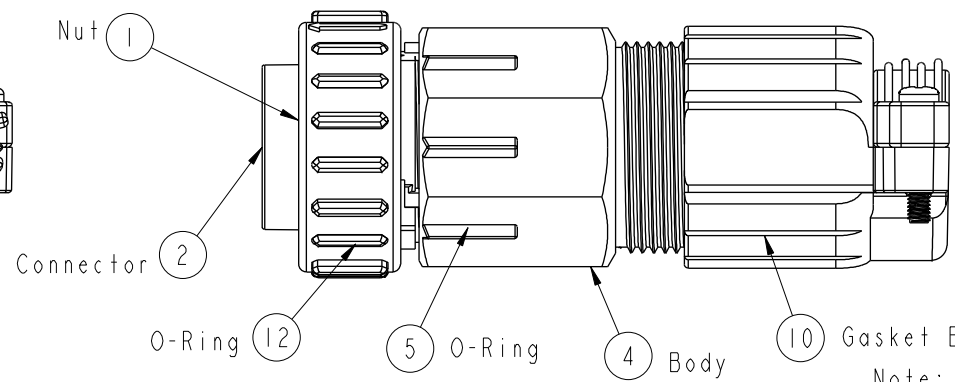
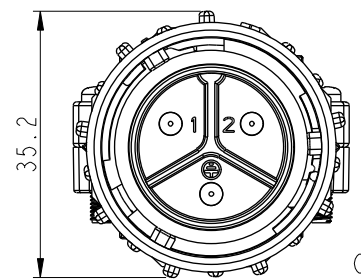
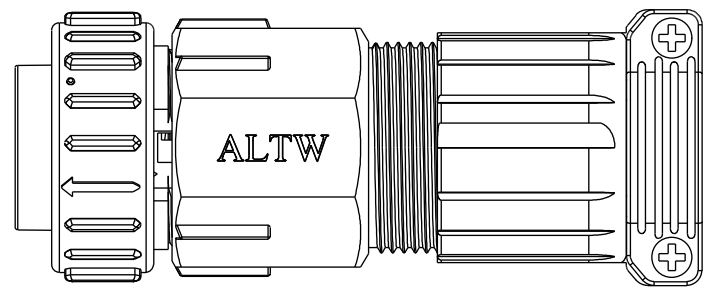
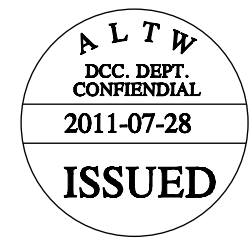
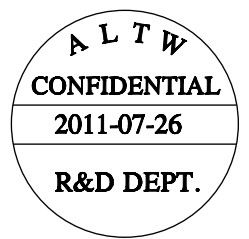


THIS DOCUMENT IS SUBJECT TO CHANGE WITHOUT NOTICE. IT IS CONFIDENTIAL AND A PROPERTY OF LTW. DISCLOSURE TO THIRD PARTY HAS TO BE AUTHORIZED BY LTW.

REV.	ECN NO.	DATE	SIGN	DESCRIPTION
A		2011-05-12	Ann	SAM-PWR-C0814 TO NEW ITEM



- Note:
- * (QC)important Dimension To Check.
 - * Waterproof Rate : IP67
 - * Connector: PPE , Black
 - * Female Pin:Copper Alloy,Tin Plated
 - * Current Rating: 30A(Max.)
 - * Rated Voltage:300V
 - * Recommended Gauge: 8awg~14awg
 - * Lock Nut: PPE , Black
 - * O-Ring & Gasket:Silicone , Gary
 - * Cable OD Max: B1:∅10~∅14.5mm
B2:∅14.5~∅19mm
 - * Screw of Salt Spray Test : 720 hours.
 - * Accessories:PP ,Black, Use for Cable OD 10~14mm
 - * One Set assembled and Gasket (B1) in one PE Bag.

UNIT:mm		
TOLERANCE	.X ±0.25	
.XX ±0.1		
.XXX ±0.05		
ANGLES	±1°	

TITLE POWER CONNECTOR CABLE ASS'Y			
SCALE 1:1	SIZE A4	SHEET 1 OF 1	
REV. A	WC-REV. A.1	QC: Inspection item	

Amphenol LTW
安費諾亮泰企業股份有限公司

ITEM NO. PWL-03BFMA-TL7001	DRAWN BY Ann	DATE 2011-07-26
DWG NO. PWL-03BFMA-TL7001	CHECKED BY Doreen	DATE 2011-07-26
CUSTOMER ALTW	APPROVED BY Kevin	DATE 2011-07-26

X-ON Electronics

Largest Supplier of Electrical and Electronic Components

Click to view similar products for [Standard Circular Connector](#) category:

Click to view products by [Amphenol](#) manufacturer:

Other Similar products are found below :

[600273N007](#) [6134-336-13149](#) [6134-337-11149](#) [6134-337-2390](#) [6134-341-17149](#) [6280-4SG-516](#) [6280-7SG-3DC](#) [6282-2SG-315](#) [66200A-10](#)
[67-02E12-60PX](#) [680-SMG](#) [CXS3102A181S](#) [7251-5SG-300](#) [7282-3PG-300-CH3](#) [75-190218-10P](#) [75-474118-10P](#) [75-474211-03P](#) [75-474218-](#)
[19S](#) [75-474618-01S](#) [75-474618-04P](#) [75-474618-04S](#) [75-474620-07P](#) [799539-000](#) [MI8-SE](#) [80-190222-18P](#) [805-005-07NF11-19PC](#) [805-005-](#)
[07NF15-7PA](#) [8280-7PG-519](#) [8282-5PG-519](#) [MP-4102-25P-C](#) [862256-1](#) [866857-1](#) [867865-1](#) [PT08P-14-19S](#) [PT08P-8-3S](#) [120-1833-000](#)
[QCM019PC2DC012B](#) [121583-0217](#) [HEX40-AB-00-21-A9-1](#) [121667-0020](#) [RD10A16-19-P6CS051/1](#) [RD16A14-12-S6CS051/2](#) [1301240347](#)
[1301790476](#) [1301240268](#) [1301240275](#) [1301860183](#) [1301860906](#) [1302261559](#) [DCU-08BFEA-LL7001](#)