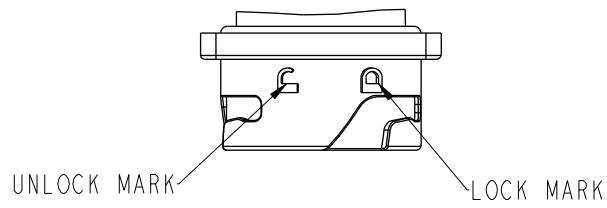
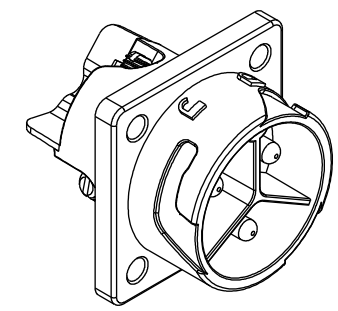
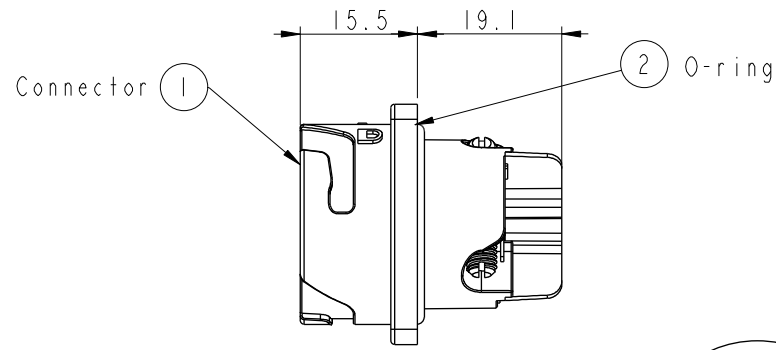
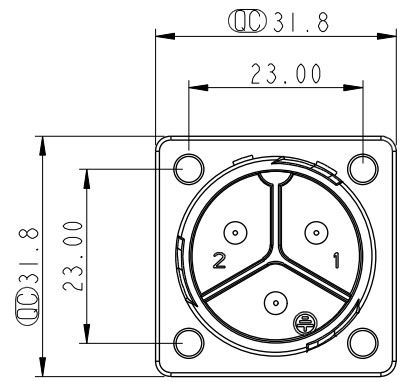


THIS DOCUMENT IS SUBJECT TO CHANGE WITHOUT NOTICE. IT IS CONFIDENTIAL AND A PROPERTY OF LTW. DISCLOSURE TO THIRD PARTY HAS TO BE AUTHORIZED BY LTW.

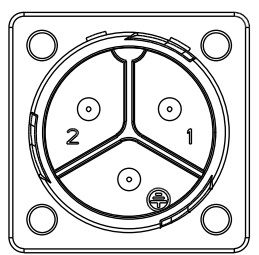
REV.	ECN NO.	DATE	SIGN	DESCRIPTION
A		2011-05-12	Doreen	SAM-PWR-PI012 TO NEW ITEM



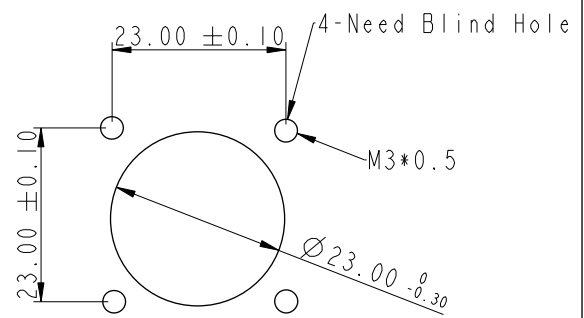
ALTW
 CONFIDENTIAL
 2011-05-12
 R&D DEPT.



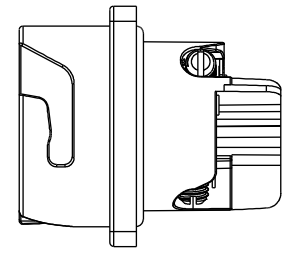
ALTW
 DCC. DEPT.
 CONFIDENTIAL
 2011-07-28
ISSUED



Conn.
Pin Assignments
Front View



Recommended
Panel Cut-Out



- Note:
- * (QC)important Dimension To Check.
 - * Waterproof Rate : IP67
 - * Connector: PPE , Black
 - * Male Pin: Copper Alloy, Tin Plated
 - * O-Ring: Silicone , Gary
 - * Current Rating: 30A(Max.)
 - * Rated Voltage: 300V
 - * Recommended Gauge: 8awg~14awg
 - * For Panel Thickness Max: 4mm

UNIT: mm TOLERANCE .X ±0.25 .XX ±0.1 .XXX ±0.05 ANGLES ±1°	TITLE POWER CONNECTOR FOR PANEL TYPE		Amphenol LTW 安費諾亮泰企業股份有限公司		ITEM NO. PWL-03PMMB-TS7001	DRAWN BY Doreen	DATE 2011-05-12
	SCALE 1:1	SIZE A4			SHEET 1 OF 1	DWG NO. PWL-03PMMB-TS7001	CHECKED BY Winnie
	REV. A	WC-REV. A.2	(C): Inspection item	CUSTOMER ALTW	APPROVED BY Kevin	DATE 2011-05-12	

X-ON Electronics

Largest Supplier of Electrical and Electronic Components

Click to view similar products for [Heavy Duty Power Connectors](#) category:

Click to view products by [Amphenol](#) manufacturer:

Other Similar products are found below :

[647757-1](#) [6643411-1](#) [6646058-2](#) [6646137-1](#) [6646138-1](#) [6646479-1](#) [6646608-1](#) [6646786-1](#) [6646940-1](#) [6651091-1](#) [6651525-1](#) [6651529-1](#)
[6651788-1](#) [696475-1](#) [73000005059](#) [73000005642](#) [765-15-0080A](#) [765-16-0080B](#) [829992-1](#) [902-77-02113](#) [129-1J](#) [AN0024023](#) [E6374G1](#)
[e6389g2](#) [157-43GW8](#) [MS3117-14AC](#) [1643543-1](#) [1650540-1](#) [1651811-2](#) [1766260-1](#) [1766282-1](#) [1766966-1](#) [1791340000](#) [NLDFT-3-BL-L-](#)
[S120-M40A](#) [NLDFT-N-W-L-C240-M40B](#) [NLS-2-R-C240-M40B](#) [NLS-N-W-C240-M40B](#) [NPS-3-BL-T6](#) [1986615-1](#) [2-1589900-8](#) [2199314-1](#)
[KA8102](#) [9300480317](#) [SBS50BRN#6](#) [29131](#) [29652](#) [1646905-1](#) [1648320-1](#) [1648582-1](#) [1650195-2](#)