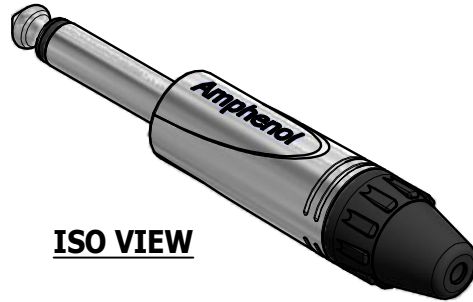
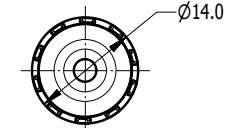
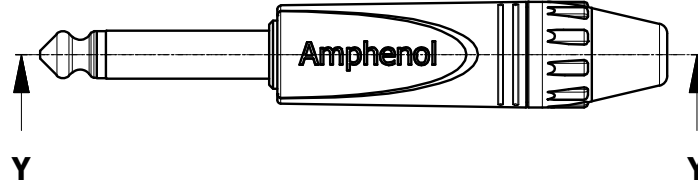
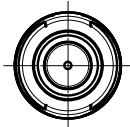
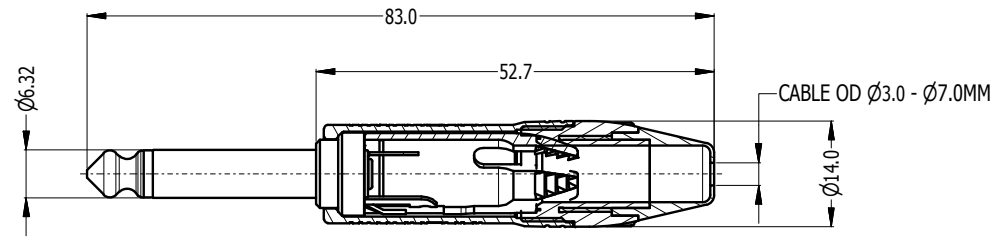




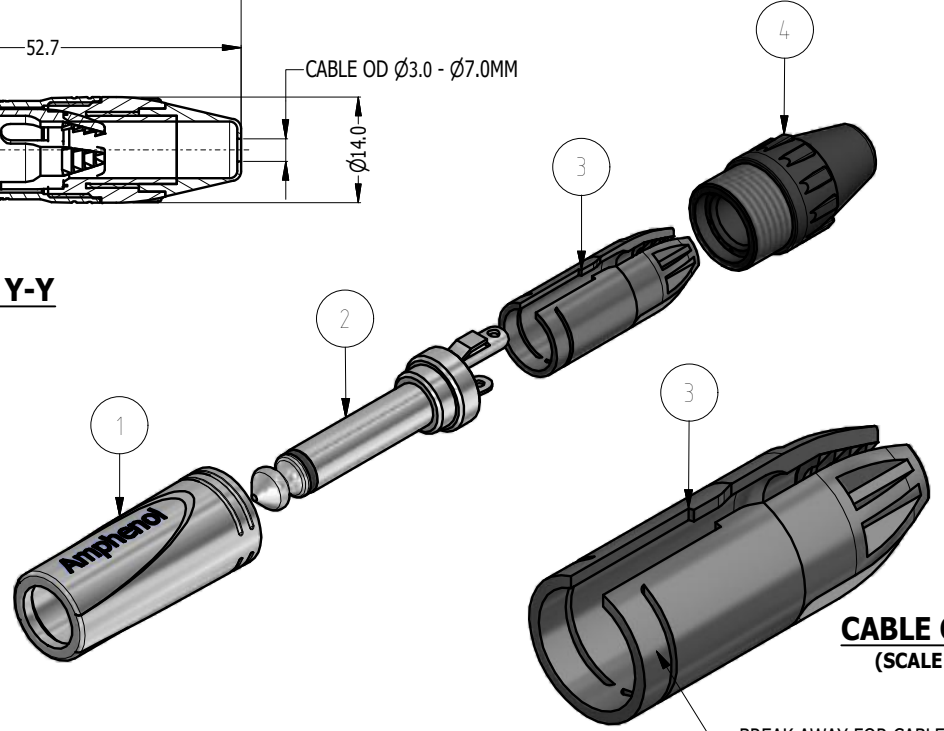
REVISION HISTORY			
REV	DESCRIPTION	DATE	CHG No
1	FIRST ISSUE	30-05-17	----
2	UPDATED CABLE CLAMP	24-01-18	9476



**ISO VIEW**



**SECTION Y-Y**



**CABLE CLAMP**  
(SCALE 2 : 1)

BREAK AWAY FOR CABLE  
OD RANGE FROM 5-7mm

CATALOGUE PN	SHELL FINISH	CONTACT FINISH	BACKSHELL FINISH
QM2P	NICKEL	NICKEL SLEEVE AND TIP	MATT BLACK
QM2PB-AU	MATT BLACK	GOLD SLEEVE AND TIP	MATT BLACK

ITEM	PART NUMBER	DESCRIPTION	QTY	DO NOT SCALE
4	50440055-300	THERMOPLASTIC BACKSHELL - BLACK	1	
3	50260024-500	THERMOPLASTIC CABLE CLAMP - BLACK	1	
2	50310064-100/300	MONO INSERT ASSEMBLY - GOLD/NICKEL	1	
1	53480189-300/400	DIECAST SHELL - NICKEL/MATT BLACK	1	

UNLESS OTHERWISE SPECIFIED  
TOLERANCE TO BE

LINEAR	ANGULAR
X ±0.5	X' ±1
X.X ±0.1	X.X' ±30'
X.XX ±0.05	X.XX" ±15'

BREAK ALL SHARP EDGES  
AND REMOVE ALL BURRS

THIS DOCUMENT IS THE PROPERTY OF AMPHENOL AUSTRALIA PTY. LTD.  
NO PART THEREOF MAY BE REPRODUCED AND USED  
WITHOUT THE PRIOR WRITTEN CONSENT OF THE OWNER

MATERIAL: **REFER TO COMPONENT**

DRN: MH DATE: 30-05-17  
CKD: MH DATE: 24-01-18  
APP'D: PM DATE: 24-01-18

FINISH: **SEE TABLE**

SCALE: **1:1** SIZE: **A4**

**Amphenol** Amphenol Australia Pty.Ltd,  
22 Industry Blvd, Carrum Downs, VIC 3201

TITLE: **1/4" PHONE MONO PLUG CUSTOMER DRAWING**

PART No: **SEE TABLE**

DRAWING NO. **55011234-000-1** SHEET **2/2**

CAD FILE 55011234000112

Parts List

DIMENSIONS IN MILLIMETRES



SCALE: **1:1** SIZE: **A4**

CAD FILE 55011234000112

DRAWING NO. **55011234-000-1** SHEET **2/2**

## X-ON Electronics

Largest Supplier of Electrical and Electronic Components

*Click to view similar products for [Phone Connectors](#) category:*

*Click to view products by [Amphenol](#) manufacturer:*

Other Similar products are found below :

[M444B](#) [6J1041A](#) [R4F](#) [E12BPKG](#) [ECP4PKG](#) [161-3502L-E](#) [MT333X](#) [171-0350-EX](#) [171-101A-EX](#) [171-3325-EX](#) [176S](#) [NC3MG-V](#)  
[NYS228G](#) [P10834](#) [P2380](#) [P2381X](#) [P2411X](#) [P2412](#) [P2724](#) [JM2PB-AU BULK](#) [9144](#) [S2674](#) [280L](#) [163-156N-2-E](#) [163-158N-2-E](#) [171-3308-](#)  
[EX](#) [171-3500-E](#) [2501FT](#) [CMT335](#) [M10662](#) [330Q](#) [RJ5VI-S](#) [40116](#) [TM1R-AU](#) [TM2PBMJ-AU](#) [TM2PJ-AU](#) [TM2PJ-AU BULK](#) [4803.1351](#)  
[49201](#) [49205](#) [TS3PBJ-AU](#) [TS3PBMJ-AU](#) [TT32BX](#) [54B](#) [40112](#) [40205](#) [XMT332B](#) [52170017-331](#) [570](#) [NM3](#)