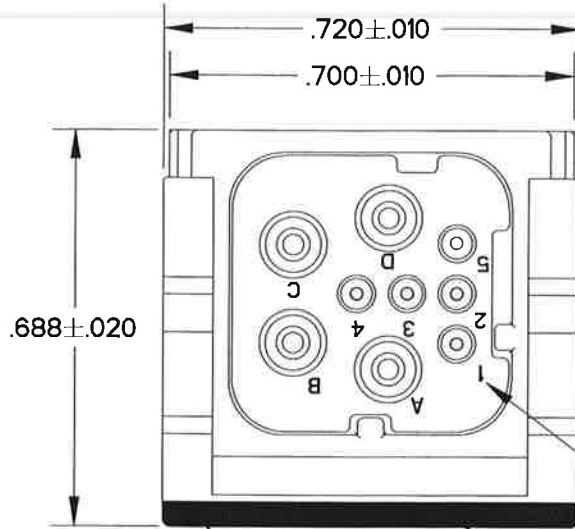


QMR309110

TABLE I

APCD P/N	CONTACTS SUPPLIED		COLOR CODE / KEY	PART MARKING	PART MATES WITH
QMR309110	NONE		NONE / A	QMR309110	QMR309120, 121 / QMR309130, 131
QMR309111	5X BACC47HA1A	4X M39029/58-364	NONE / A	QMR309110	QMR309120, 121 / QMR309130, 131
QMR309210	NONE		BLUE / B	QMR309210	QMR309220, 221 / QMR309230, 231
QMR309211	5X BACC47HA1A	4X M39029/58-364	BLUE / B	QMR309210	QMR309220, 221 / QMR309230, 231
QMR309310	NONE		GREEN / C	QMR309310	QMR309320, 321 / QMR309330, 331
QMR309311	5X BACC47HA1A	4X M39029/58-364	GREEN / C	QMR309310	QMR309320, 321 / QMR309330, 331
QMR309410	NONE		YELLOW / D	QMR309410	QMR309420, 421 / QMR309430, 431
QMR309411	5X BACC47HA1A	4X M39029/58-364	YELLOW / D	QMR309410	QMR309420, 421 / QMR309430, 431

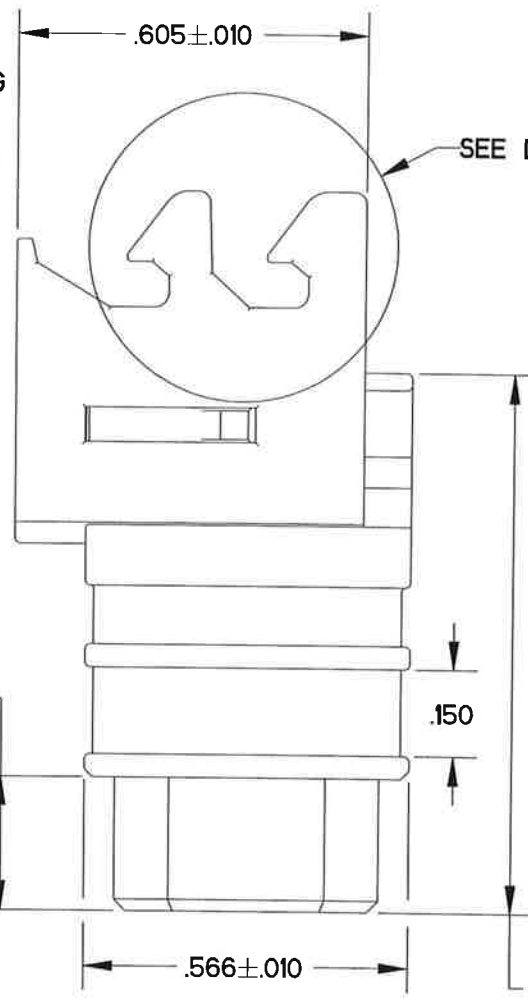
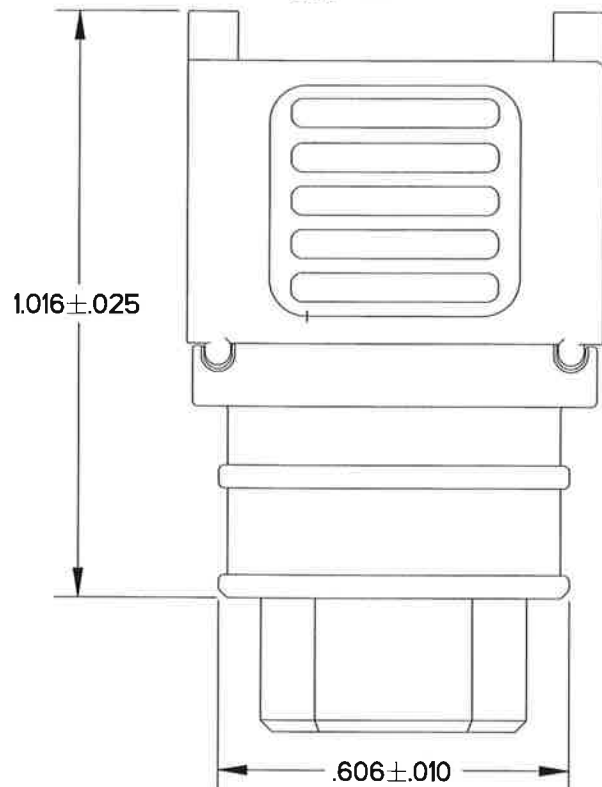
REV	ECN	APP'D
-	9541	<i>[Signature]</i> 10/26/21



FACE SEAL MARKING
COLOR: CONTRASTING

SEE NOTE 6

COLOR INK MARKING
PER TABLE I

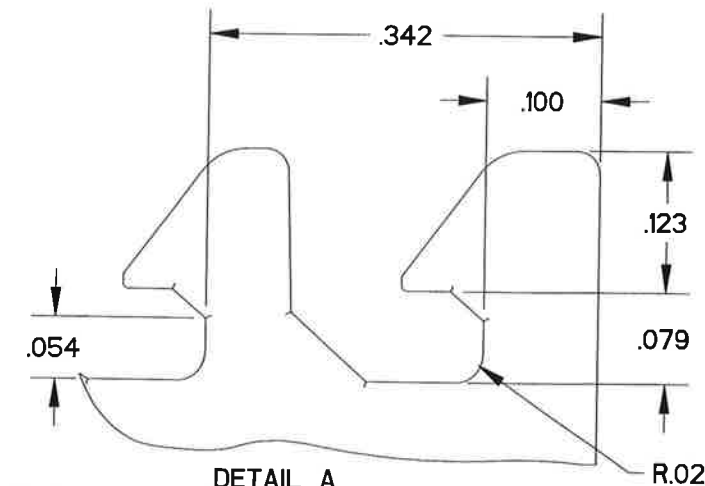


SEE DETAIL A

P/N MARKING
SEE TABLE I

QMR309X10
APCD YYWW

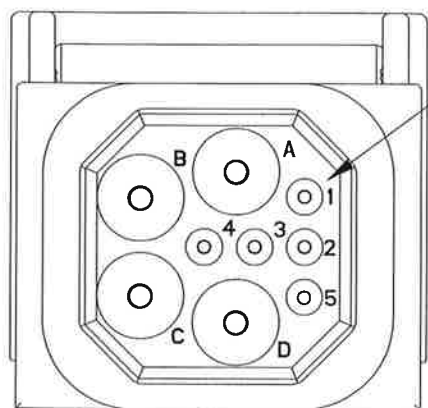
DATE CODE



DETAIL A

NOTES:

- MATERIALS:
HOUSING: POLYETHERIMIDE, PER ASTM D 5205, TO BE VALIDATED BY PERIODIC TESTING EVERY 12 MONTHS, COLOR: LIGHT GREY
LATCH: POLYETHERIMIDE, PER ASTM D 5205, TO BE VALIDATED BY PERIODIC TESTING EVERY 12 MONTHS, COLOR: LIGHT GREY
CONTACT RETAINER: CRES 301 PER AMS 5518, TO BE VALIDATED BY PERIODIC TESTING EVERY 12 MONTHS
GROMMET: SILICONE RUBBER PER A-A-59588, COLOR: LIGHT GREY
- DIELECTRIC WITHSTANDING VOLTAGE:
POSITIONS A, B, C, D: 1500 VRMS
POSITIONS 1, 2, 3, 4, 5: 1300 VRMS
INSULATION RESISTANCE: 5000 MΩ MIN AT 500VDC
- MATING PART(S): SEE TABLE I
- ACCEPTS THE FOLLOWING CONTACTS:
5X BACC47HA1A
4X M39029/58-364
- SUPPLIED WITH DUST CAP
- COLOR CODED STRIP IS FOR IDENTIFICATION PURPOSES ONLY. MARKING SHALL REMAIN VISIBLE ONLY THROUGH STANDARD SHIPPING AND HANDLING. SCRATCHES, BLEMISHES, STREAKS, PARTIALLY ERASED DEFECTS ARE ACCEPTABLE. LOCATED APPROX. AS SHOWN
- EST. WEIGHT: 5.0g



KEY A: QMR309110

GROMMET MARKING

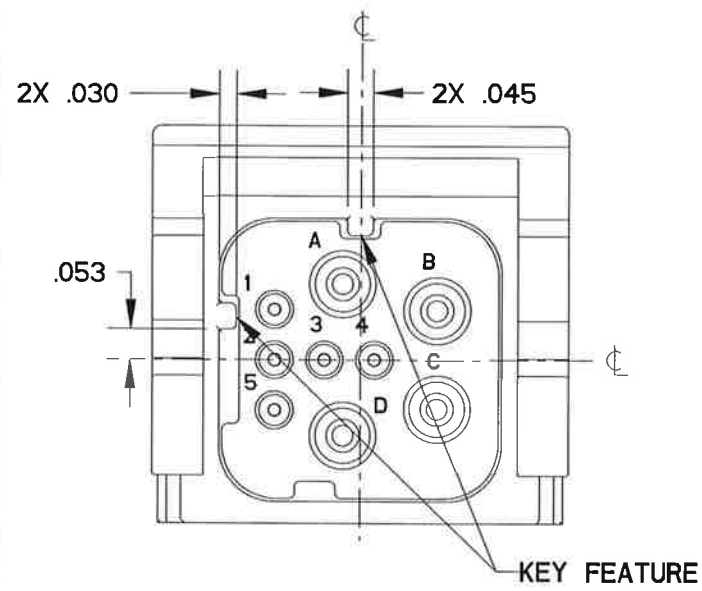
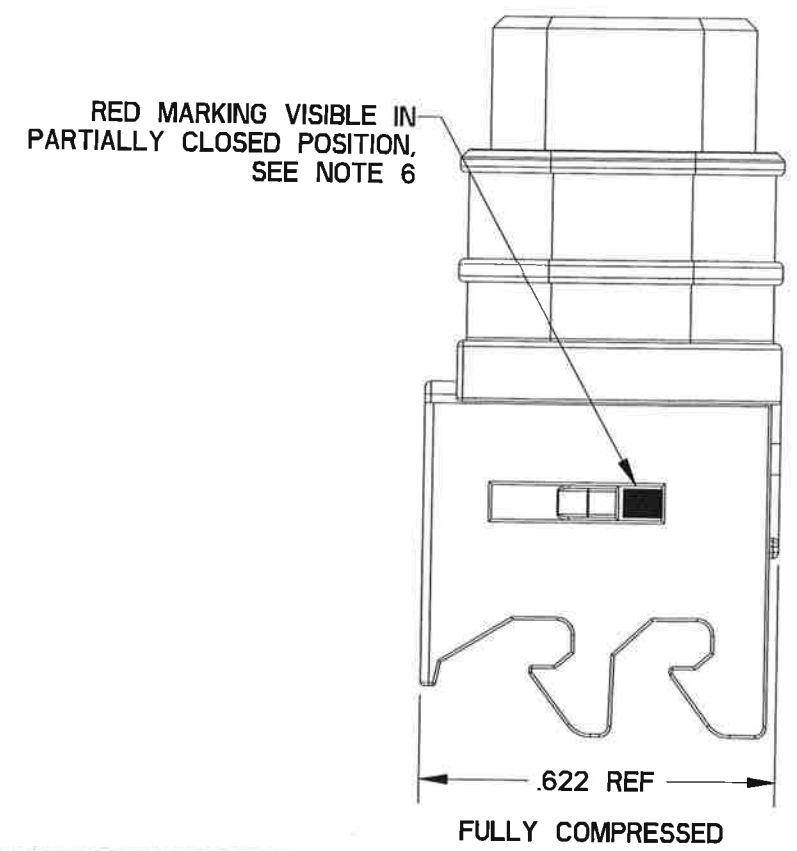
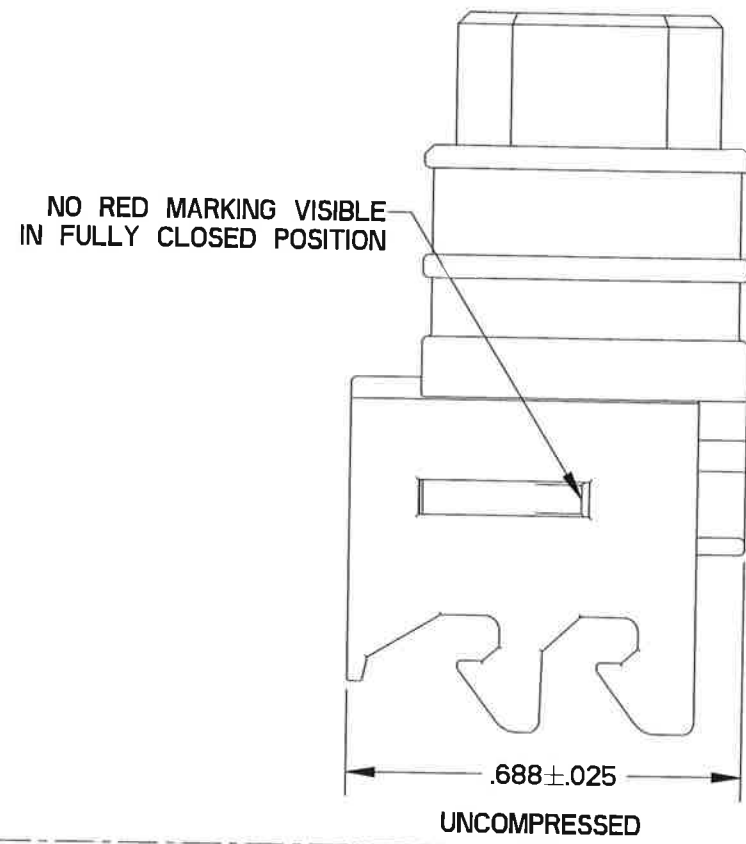
DIMENSIONS	TOLERANCES	PROJECTION	TITLE	
ANSI Y14.5M UNITS: INCHES Pro/E FILE	.XX ±0.01 .XXX ±0.005 ANGLES ±2.0°		Amphenol Pcd CUSTOMER DRAWING	
ORIGINAL	THIS DOCUMENT CONTAINS PROPRIETARY INFORMATION WHICH IS THE CONFIDENTIAL PROPERTY OF AMPHENOL PCD INC., BEVERLY, MA	ENGR ERIC WRIGHT 9/30/2021	SIZE B	TITLE 4 POS, SIZE 16 & 5 POS, SIZE 23 QMR PLUG, IN LINE
		CHKD <i>[Signature]</i> 10/26/21 APPD <i>[Signature]</i> 10/26/21	CUSTOMER DWG NO. QMR309110	REV -
			CODE: 58982	SCALE: 3:1 SHEET 1. OF 3

QMR309110

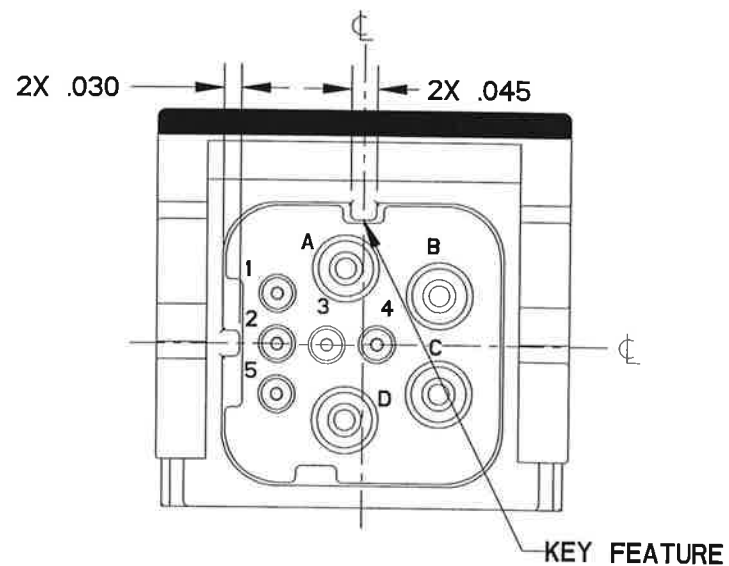
QMR309110

QMR309110

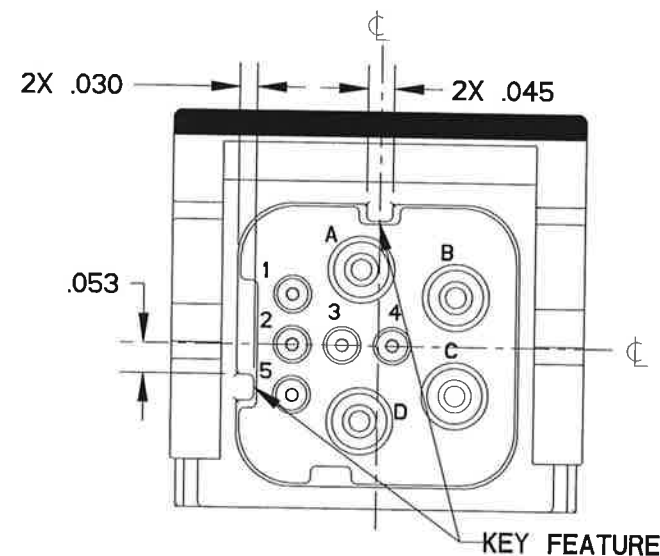
QMR309110



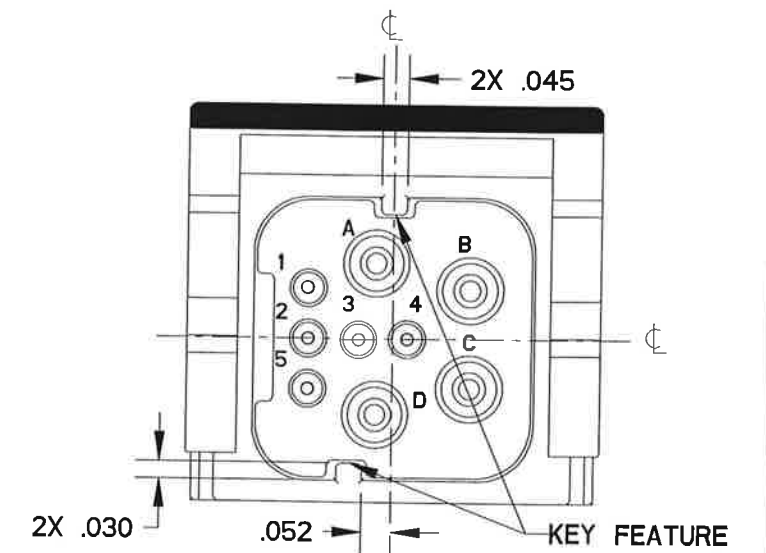
KEY A: QMR309110



KEY B: QMR309210

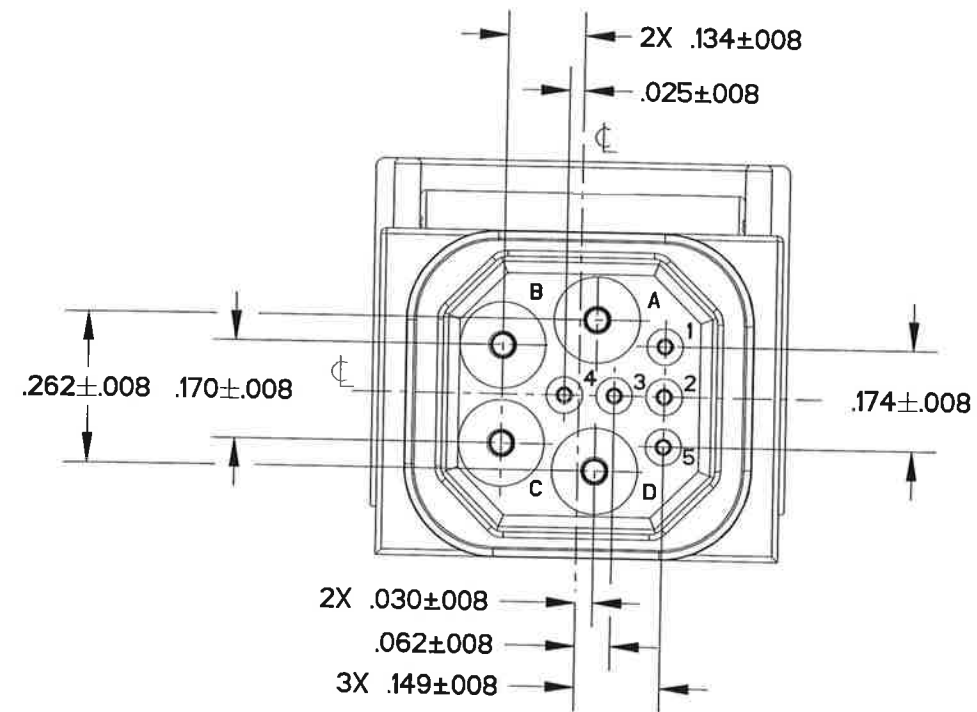


KEY C: QMR309310



KEY D: QMR309410

SIZE	CUSTOMER DWG NO.	REV
B	QMR309110	-
CODE: 58982	SCALE: 3:1	SHEET 2 OF 3



SIZE	CUSTOMER DWG NO.	REV
B	QMR309110	-
CODE: 58982	SCALE: 3:1	SHEET 3 OF 3

X-ON Electronics

Largest Supplier of Electrical and Electronic Components

Click to view similar products for [Heavy Duty Power Connectors](#) category:

Click to view products by [Amphenol](#) manufacturer:

Other Similar products are found below :

[6646058-2](#) [6646137-1](#) [6646138-1](#) [6646940-1](#) [6651091-1](#) [6651525-1](#) [6651529-1](#) [696475-1](#) [702-32-01109](#) [73080255059](#) [73080965046](#)
[7310205040001](#) [765-16-0080B](#) [765-18-0080D](#) [902-77-02113](#) [PS00/A0620/6300](#) [AN0024023](#) [154-42B7WM250](#) [MS3117-14AC](#) [1643543-1](#)
[1766966-1](#) [1791340000](#) [NLDFT-3-BL-L-S120-M40A](#) [NLDFT-N-W-L-C240-M40B](#) [1926015-1](#) [NLS-3-BL-C240-M40B](#) [NLS-N-W-C240-](#)
[M40B](#) [NPS-3-BL-T6](#) [2-1589900-8](#) [9300480317](#) [294-0091-01100](#) [296-0040-01100](#) [1-6609148-0](#) [A32595-0049](#) [1766249-1](#) [19000005132](#)
[1926016-1](#) [1-966831-8](#) [AN0024202](#) [AN0264023](#) [279-0841-10100A](#) [281-0334-00100A](#) [RMSB4](#) [419-2083-301](#) [LCDX4/0-14B-X](#) [075-8519-](#)
[001](#) [078238-1613](#) [07.470.3256.0](#) [09000005288](#) [09140240311](#)