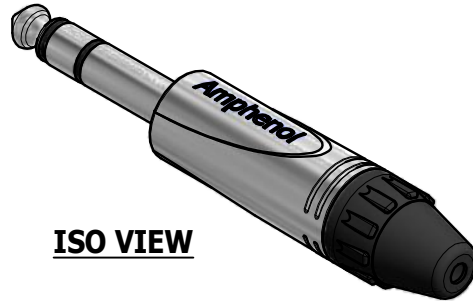
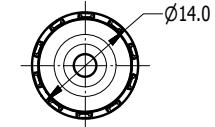
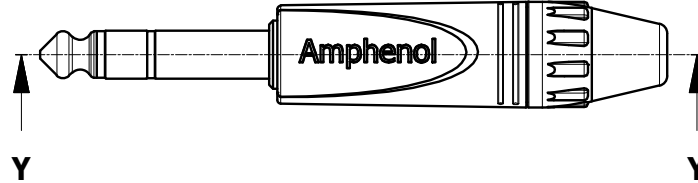
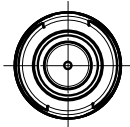
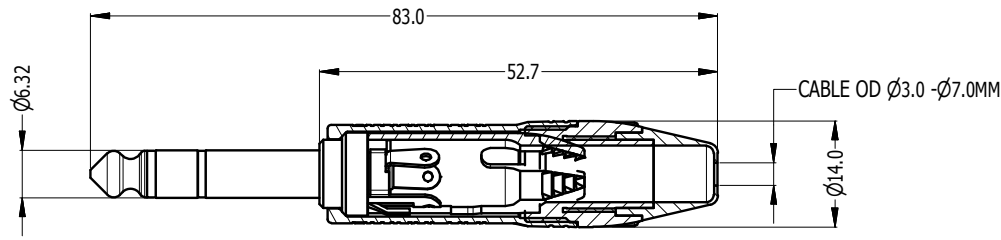




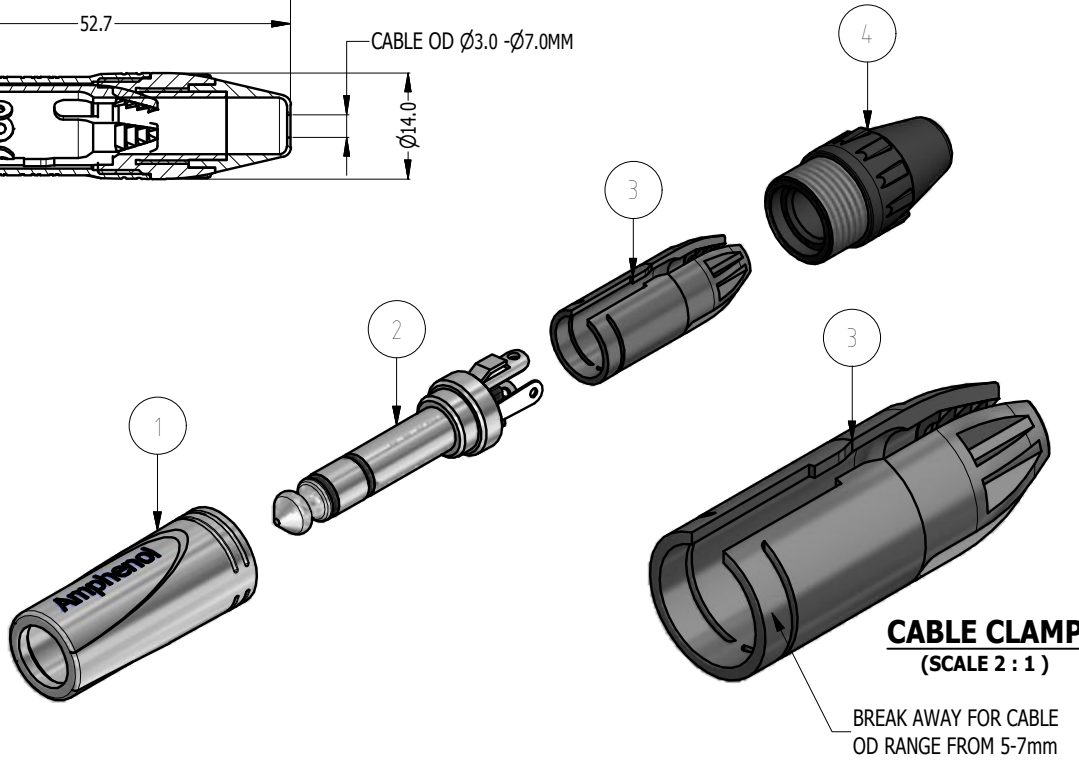
REVISION HISTORY			
REV	DESCRIPTION	DATE	CHG No
1	FIRST ISSUE	30-05-17	----
2	UPDATED CABLE CLAMP	14-03-18	9465



**ISO VIEW**



CATALOGUE PN	SHELL FINISH	CONTACT FINISH	BACKSHELL FINISH
QS3P	NICKEL	NICKEL SLEEVE AND TIP	MATT BLACK
QS3PB-AU	MATT BLACK	GOLD SLEEVE AND TIP	MATT BLACK



**CABLE CLAMP**  
(SCALE 2 : 1)

BREAK AWAY FOR CABLE  
OD RANGE FROM 5-7mm

4	50440055-000/*00	THERMOPLASTIC BACKSHELL - BLACK/COLOUR	1	UNLESS OTHERWISE SPECIFIED TOLERANCE TO BE	THIS DOCUMENT IS THE PROPERTY OF AMPHENOL AUSTRALIA PTY. LTD. NO PART THEREOF MAY BE REPRODUCED AND USED WITHOUT THE PRIOR WRITTEN CONSENT OF THE OWNER	<b>Amphenol</b> Amphenol Australia Pty.Ltd, 22 Industry Blvd, Carrum Downs, VIC 3201	TITLE: <b>1/4" PHONE STEREO PLUG CUSTOMER DRAWING</b>	PART No: <b>SEE TABLE</b>							
3	50260024-500	THERMOPLASTIC CABLE CLAMP - BLACK	1												
2	50310064-100/300	MONO INSERT ASSEMBLY - GOLD/NICKEL	1	<table border="1"> <thead> <tr> <th>LINEAR</th> <th>ANGULAR</th> </tr> </thead> <tbody> <tr> <td>X ±0.5</td> <td>X' ±1</td> </tr> <tr> <td>X.X ±0.1</td> <td>X.X' ±30'</td> </tr> <tr> <td>X.XX ±0.05</td> <td>X.XX" ±15'</td> </tr> </tbody> </table>	LINEAR	ANGULAR	X ±0.5	X' ±1	X.X ±0.1	X.X' ±30'	X.XX ±0.05	X.XX" ±15'	MATERIAL: <b>REFER TO COMPONENT</b>	DRN: MH DATE: 30-05-17	DRAWING NO. <b>55011235-000-1</b>
LINEAR	ANGULAR														
X ±0.5	X' ±1														
X.X ±0.1	X.X' ±30'														
X.XX ±0.05	X.XX" ±15'														
1	53480189-300/400	DIECAST SHELL - NICKEL/MATT BLACK	1	BREAK ALL SHARP EDGES AND REMOVE ALL BURRS	DO NOT SCALE	FINISH: <b>SEE TABLE</b>	APP'D: PM DATE: 14-03-18	SHEET <b>2/2</b>							
ITEM	PART NUMBER	DESCRIPTION	QTY	DIMENSIONS IN MILLIMETRES		SCALE: <b>1:1</b>	SIZE: <b>A4</b>	CAD FILE: 55011235000111							
Parts List				THIRD ANGLE PROJECTION											

## X-ON Electronics

Largest Supplier of Electrical and Electronic Components

*Click to view similar products for [Phone Connectors](#) category:*

*Click to view products by [Amphenol](#) manufacturer:*

Other Similar products are found below :

[M444B](#) [6J1041A](#) [R4F](#) [E12BPKG](#) [ECP4PKG](#) [161-3502L-E](#) [MT333X](#) [171-0350-EX](#) [171-101A-EX](#) [171-3325-EX](#) [176S](#) [NC3MG-V](#)  
[NYS228G](#) [P10834](#) [P2380](#) [P2381X](#) [P2411X](#) [P2412](#) [P2724](#) [JM2PB-AU BULK](#) [9144](#) [S2674](#) [280L](#) [163-156N-2-E](#) [163-158N-2-E](#) [171-3308-](#)  
[EX](#) [171-3500-E](#) [2501FT](#) [CMT335](#) [M10662](#) [330Q](#) [RJ5VI-S](#) [40116](#) [TM1R-AU](#) [TM2PBMJ-AU](#) [TM2PJ-AU](#) [TM2PJ-AU BULK](#) [4803.1351](#)  
[49201](#) [49205](#) [TS3PBJ-AU](#) [TS3PBMJ-AU](#) [TT32BX](#) [54B](#) [40112](#) [40205](#) [XMT332B](#) [52170017-331](#) [570](#) [NM3](#)