

4

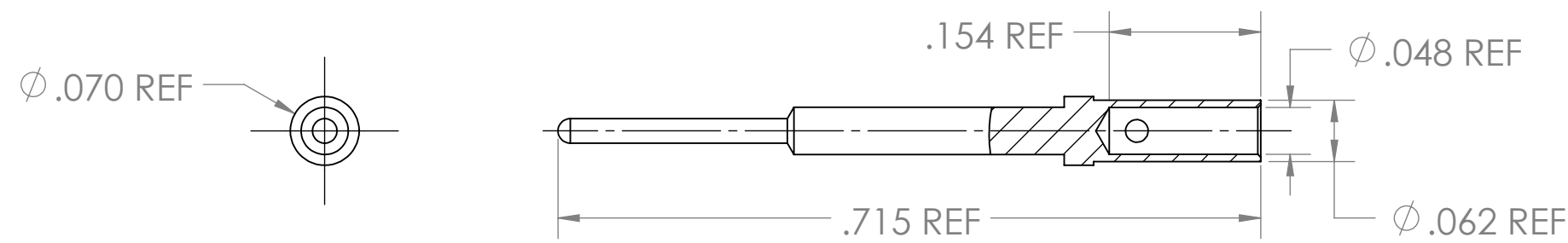
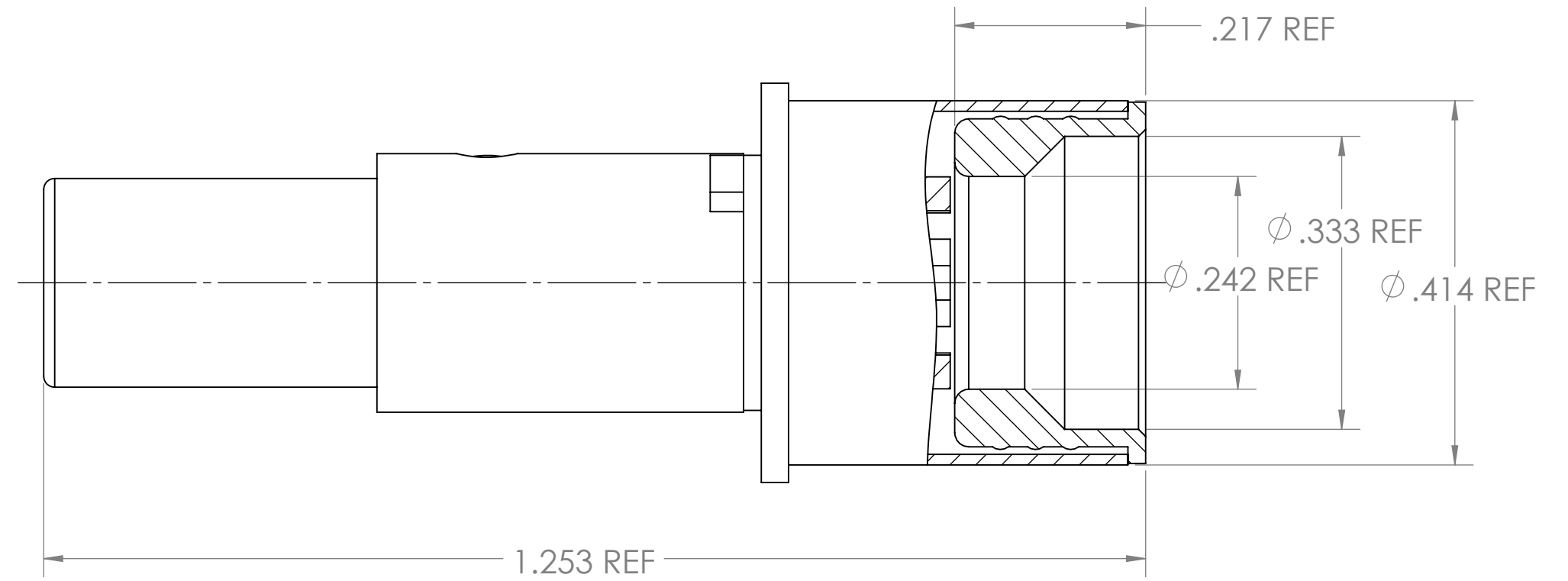
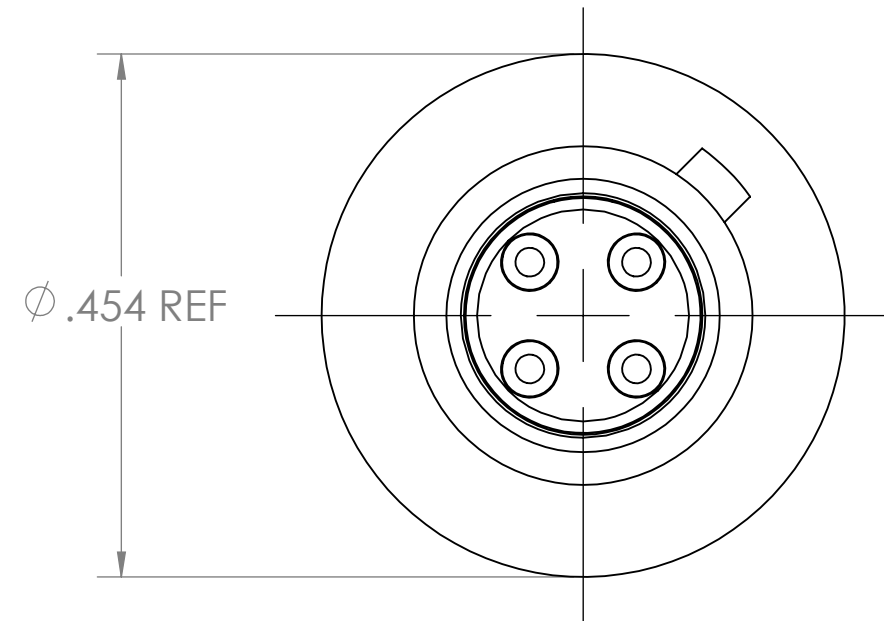
3

2

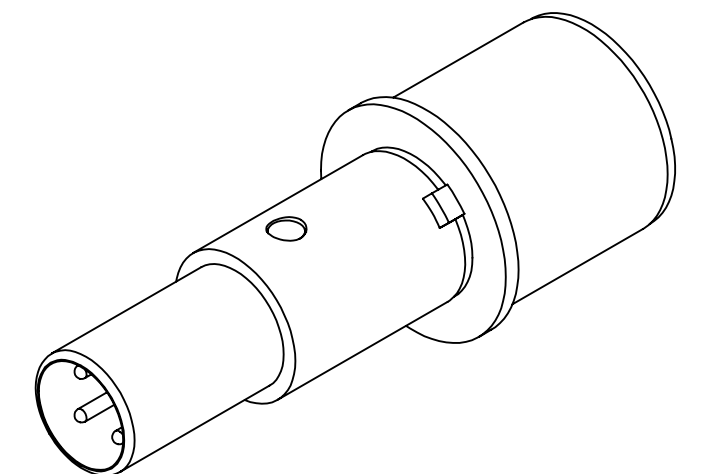
1

# CUSTOMER DRAWING

REVISIONS			
ZONE	REV.	DESCRIPTION	DATE
	PA1	INITIAL RELEASE	2021/3/25



INNER CONTACT  
QTY: 4  
GOLD PLATED  
SCALE 6.000



- 4. THE RATED VOLTAGE: 50V  
THE RATED CURRENT: 5A
- 3. THE RECOMMEND WIRE SIZE : AWG 18~20.
- 2. THE CONTACT IMPEDANCE RESISTANCE 120OHM.

1. THE REFERENCED PRODUCT SHALL BE COMPLIANT TO RoHS DIRECTIVE.

### NOTES

THIS DOCUMENT CONTAINS PROPRIETARY INFORMATION AND SUCH INFORMATION MAY NOT BE DISCLOSED TO OTHERS FOR ANY PURPOSE OR USED FOR MANUFACTURING PURPOSES WITHOUT WRITTEN PERMISSION FROM THE AMPHENOL CORP.

Next Assembly

UNLESS OTHERWISE SPECIFIED		APPROVALS		DATE
LINEAR DIMENSIONS ARE IN INCHES TOLERANCES: .XXXX = ± .0005 .XXX = ± .010 .XX = ± .03 .X = ± .1 ANGLES = ± 2° Amphenol STANDARDS PER 9-3800		PREPARED BY:	Bruce Lee	2021/3/25
		LEAD/PRODUCT ENGINEER:	Bruce Lee	
		ENGINEERING MANAGER:	Ran Xiao	
		PRODUCT GROUP:	C&I	
		AIPG DIVISION:	AIO	
MATERIAL SPEC		PROCESS SPEC		
N/A		N/A		
THIRD ANGLE PROJECTION				

<b>AMPHENOL CORPORATION</b>			
Amphenol Technology (Zhuhai) Co. Ltd. No. 63 Xinghan Road, Sanzao Town, Jinwan, Zhuhai, PRC			
<b>CONTACT PIN, QUADRAX</b>			
<b>QX4-20-P-120</b>			
<b>GOLD PLATED</b>			
SIZE	CAGE CODE	DOCUMENT NUMBER	REV
C	77820	10-765917-12P	PA1
SCALE: 6:1		REF:	SHEET 1 OF 1

4

3

2

1

## X-ON Electronics

Largest Supplier of Electrical and Electronic Components

*Click to view similar products for [Circular MIL Spec Contacts](#) category:*

*Click to view products by [Amphenol](#) manufacturer:*

Other Similar products are found below :

[0007-008-100](#) [0007-008-100L](#) [00111930102](#) [00170430402](#) [006-0044-20A](#) [006-0055-20A](#) [006-0910-20](#) [006-0912-16A](#) [006-0912-20A](#) [006-0937-12A](#) [006-0937-16A](#) [006-0937-20](#) [006-0937-20A](#) [006-0984-20](#) [006-0985-20](#) [006-1186-20](#) [006-1188-20](#) [006-1189-20](#) [020-0008-20](#) [020-0511-22](#) [05-20-114-0-00-GM](#) [0641-1-2031](#) [0641-1-2031L](#) [0641-15-2001](#) [0641-2-1631L](#) [0641-3-1231L](#) [0660-206-0082](#) [0660-206-0882](#) [0660-206-1631L](#) [0662-207-0082](#) [0662-207-0482](#) [0662-207-0882](#) [0662-207-1282](#) [0662-207-1631L](#) [0662-212-1631L](#) [080593-000](#) [097-0013-16](#) [097-0185-20](#) [097-0234-20](#) [10-035528-000](#) [10-040553-000](#) [10-040557-000](#) [10-040560-000](#) [10-040561-000](#) [10-040562-000](#) [10-040564-000](#) [10-040599-000](#) [10-040793-000](#) [100503L](#) [100504L](#)