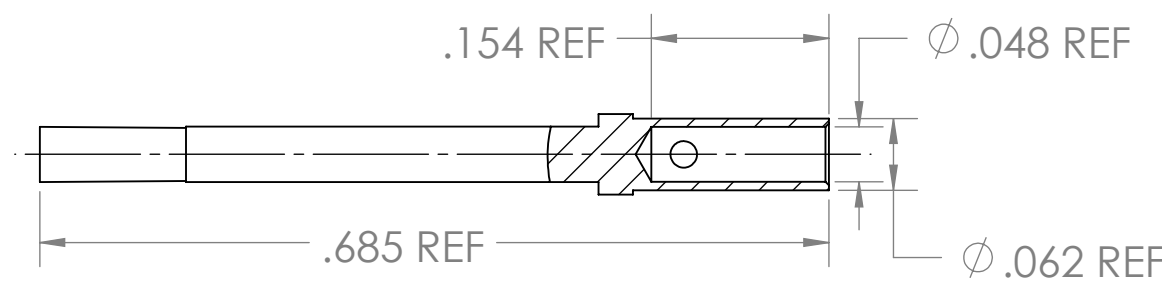
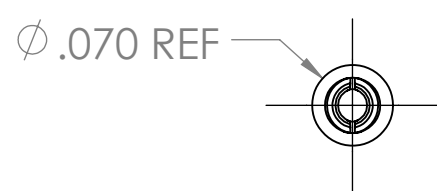
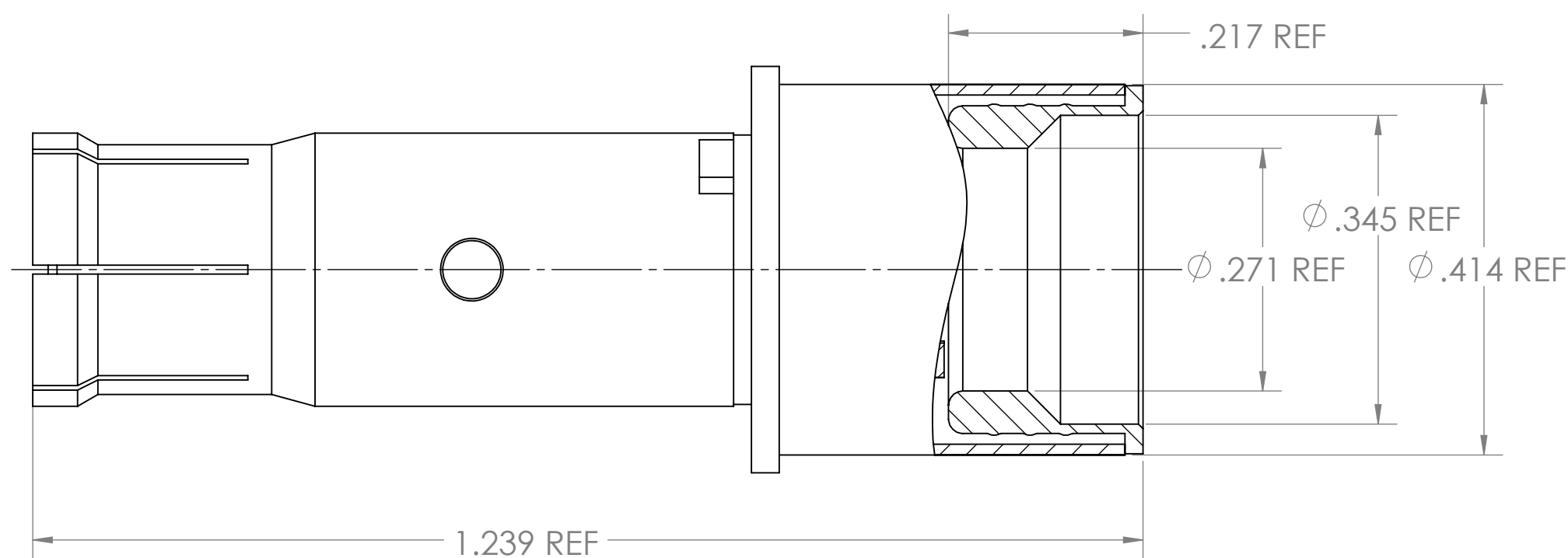
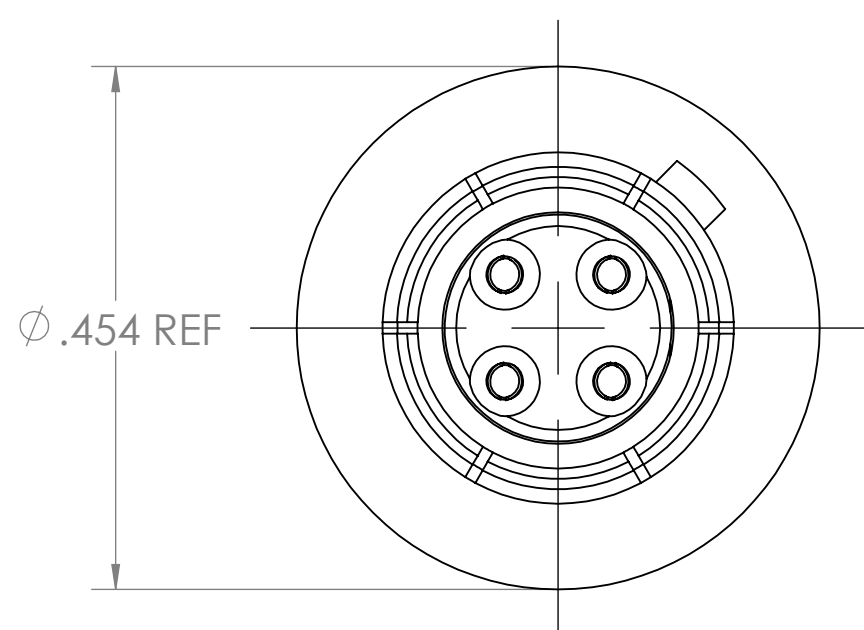
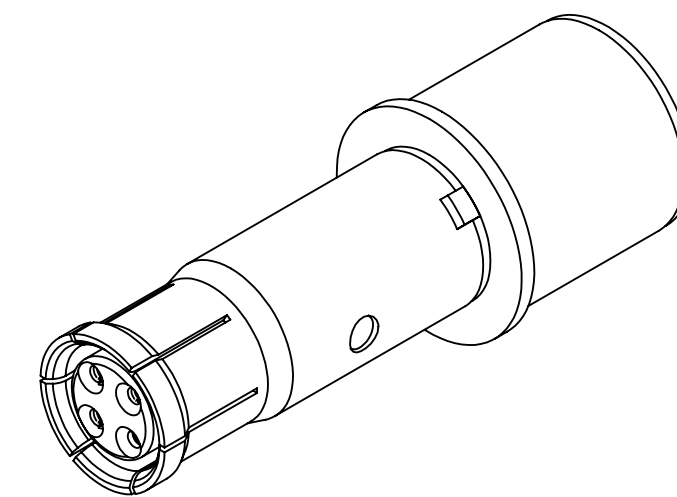


CUSTOMER DRAWING

| REVISIONS | | | |
|-----------|------|-----------------|-----------|
| ZONE | REV. | DESCRIPTION | DATE |
| | PA1 | INITIAL RELEASE | 2021/3/25 |



INNER CONTACT
QTY: 4
GOLD PLATED
SCALE 6.000



4. THE RATED VOLTAGE: 50V
THE RATED CURRENT: 5A

3. THE RECOMMEND WIRE SIZE : AWG 18~20.

2. THE CONTACT IMPEDANCE RESISTANCE 100OHM.

1. THE REFERENCED PRODUCT SHALL BE COMPLIANT TO RoHS DIRECTIVE.

NOTES

THIS DOCUMENT CONTAINS PROPRIETARY INFORMATION AND SUCH INFORMATION MAY NOT BE DISCLOSED TO OTHERS FOR ANY PURPOSE OR USED FOR MANUFACTURING PURPOSES WITHOUT WRITTEN PERMISSION FROM THE AMPHENOL CORP.

Next Assembly

| UNLESS OTHERWISE SPECIFIED | | APPROVALS | | DATE |
|--|--|------------------------|-----------|-----------|
| LINEAR DIMENSIONS ARE IN INCHES TOLERANCES: .XXXX = ± .0005 .XXX = ± .010 .XX = ± .03 .X = ± .1 ANGLES = ± 2° Amphenol STANDARDS PER 9-3800 | | PREPARED BY: | Bruce Lee | 2021/3/25 |
| | | LEAD/PRODUCT ENGINEER: | Bruce Lee | |
| | | ENGINEERING MANAGER: | Ran Xiao | |
| | | PRODUCT GROUP: | C&I | |
| | | AIPG DIVISION: | AIO | |
| MATERIAL SPEC | | PROCESS SPEC | | |
| N/A | | N/A | | |
| THIRD ANGLE PROJECTION | | | | |
| | | | | |

| | | | |
|--|-----------|-----------------|--------------|
| AMPHENOL CORPORATION | | | |
| Amphenol Technology (Zhuhai) Co. Ltd. No. 63 Xingnan Road, Sanzao Town, Jinwan, Zhuhai, PRC | | | |
| CONTACT SOCKET, QUADRAX | | | |
| QX4-20-S-100 | | | |
| GOLD PLATED | | | |
| SIZE | CAGE CODE | DOCUMENT NUMBER | REV |
| C | 77820 | 10-765916-10S | PA1 |
| SCALE: 6:1 | | REF: | SHEET 1 OF 1 |

X-ON Electronics

Largest Supplier of Electrical and Electronic Components

Click to view similar products for [Circular MIL Spec Contacts](#) category:

Click to view products by [Amphenol](#) manufacturer:

Other Similar products are found below :

[006-1189-20](#) [M39029/106-616](#) [71-VEAM](#) [809-023](#) [809-111](#) [811393-000](#) [850-014](#) [97-45-1418P-4\(0920\)](#) [97-45-1418S-4](#) [D-602-0106CS076](#)
[AIC12-14P](#) [AIC16-16PG](#) [AIC8-12P](#) [AIC8-8SG](#) [AIC8-8SRAD](#) [1495044-1](#) [BACC47CP2T](#) [BACC47DP4](#) [BACC47GC1A](#) [BACC47GN1](#)
[16968/2C](#) [173-900245-91](#) [21-033909-028](#) [241611N001](#) [2560-220-2031](#) [27915-38T9](#) [27963-12T112](#) [27963-15T112](#) [27964-38T112](#) [2M809-](#)
[118](#) [97-67-36-20](#) [AIC12-16P](#) [AIC16-18PG](#) [AIC16-20PG](#) [AIC4-4PG](#) [AIC8-10P](#) [CE102S-18](#) [M39029/30-221](#) [M39029/30-222](#) [M39029/77-](#)
[430](#) [416-2020-088I](#) [MDM-21SH003B-F222](#) [48-100-5014P-02](#) [BACC47CN2](#) [BACC47CN3S](#) [BACC47GC3A](#) [BACC47GD3A](#) [BACC47GM1](#)
[52G137 REV A](#) [CB2-18-21PS](#)