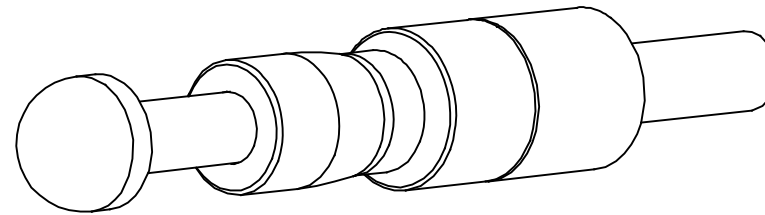
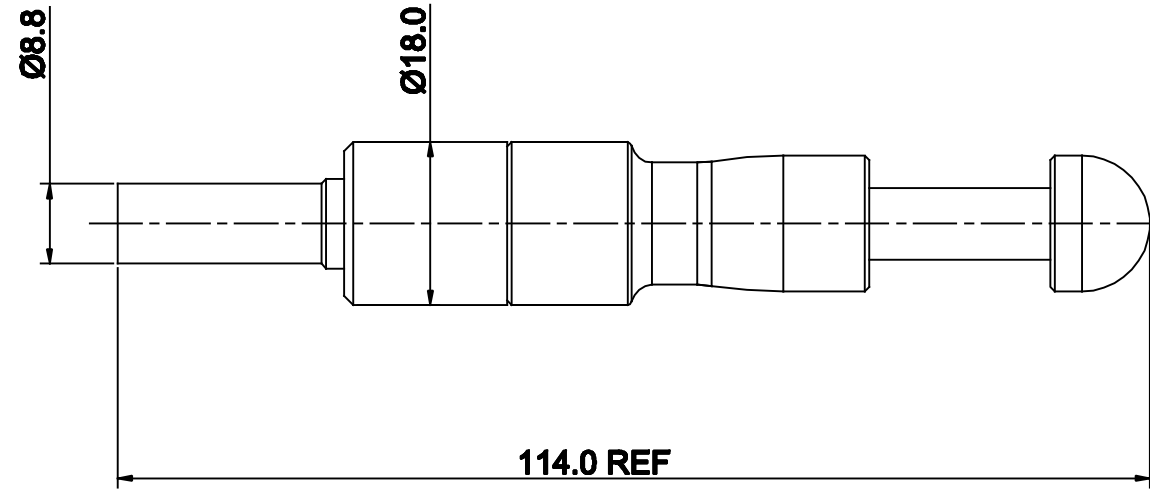


REVISIONS					
REV	ECO	DESCRIPTION	DATE	BY	APPR
B1	-	RELEASED DRAWING	JUN-24-2014	BEN	TOMMY



TITLE: ECO-MATE EXTRACTION TOOL FOR 3.6mm RTHP CONTACT  
 DWG NO: QXRT08R  
 REV: B1  
 SHEET: 1 OF 1

QUANTITY	PART NUMBER	DESCRIPTION	ITEM
<b>MATERIALS LIST</b>			
<small>UNLESS OTHERWISE SPECIFIED:            1) All dimensions are in metric (mm).            2) Tolerances are as follows:            1 PL DBO ±0.30            2 PL DBO ±0.15            3 PL DBO ±0.08            3) Note reference = <math>\Delta</math></small>		<small>SIGNATURES</small> DRAWN: BEN CHECKED: SWISSER: APPROVAL: CUSTOMER:	<small>DATE</small> JUN-24-2014
<small>MATERIAL SPECIFICATIONS:            PROCESS SPECIFICATIONS:            NEXT ASSY:</small>		<div style="text-align: center;"> <h2>Amphenol</h2> <p>Sine Systems - <a href="http://www.amphenol-sine.com">www.amphenol-sine.com</a>            44724 Morley Drive            Clinton Township, MI 48036</p> </div> <p>Extraction Tool (for RTHP series), Size 8 (3.6mm) Contact</p>	
<small>THIS DRAWING IS SUPPLIED FOR INFORMATION ONLY. DESIGN FEATURES, SPECIFICATIONS AND PERFORMANCE DATA SHOWN HEREON ARE THE PROPERTY OF THE AMPHENOL CORPORATION. NO RIGHTS OF REPRODUCTION ARE IMPLIED. ALL DIMENSIONS ARE SUBJECT TO NORMAL MANUFACTURING VARIATIONS.</small>		<small>SIZE</small> <b>B C-</b>	<small>DWG NO:</small> <b>QXRT08R</b> <small>REVISION</small> <b>B1</b>
<small>SCALE</small> NONE		<small>SHEET</small> 1 <small>OF</small> 1	

## X-ON Electronics

Largest Supplier of Electrical and Electronic Components

*Click to view similar products for [Extraction, Removal & Insertion Tools](#) category:*

*Click to view products by [Amphenol](#) manufacturer:*

Other Similar products are found below :

[M8196914-08](#) [768211-2](#) [809-131](#) [844751-2](#) [8-59558-2](#) [91018-1](#) [12014013](#) [12093647](#) [1-21048-0](#) [R282867020](#) [12093078](#) [12180559](#) [1-21048-6](#) [12121897](#) [DCF.91.405.5LT](#) [1322](#) [13549852](#) [15314260](#) [15313892](#) [15350698](#) [15350707](#) [15430130](#) [1643916-1](#) [1-679532-0](#) [1976593-3](#) [OUTEXT-0321](#) [2-1579008-3](#) [2-1579008-4](#) [229694-7](#) [231106-1](#) [241469](#) [91040-3](#) [91040-7](#) [965004-000](#) [965069-000](#) [1738219-1](#) [ET-JL05-16](#) [FG 0300 146 3000](#) [FIT-6](#) [210S048](#) [2-1579007-9](#) [231879-1](#) [CF-008025-000](#) [312138-3](#) [RJ11FODE](#) [356-162](#) [M8196914-10](#) [4-1579018-0](#) [483249-1](#) [5-1579007-2](#)