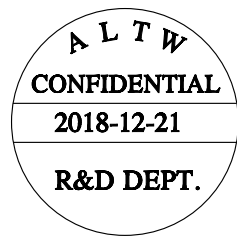
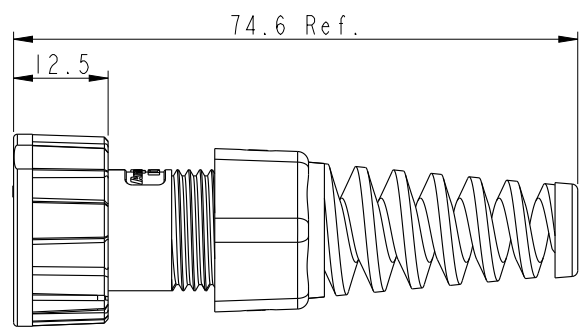
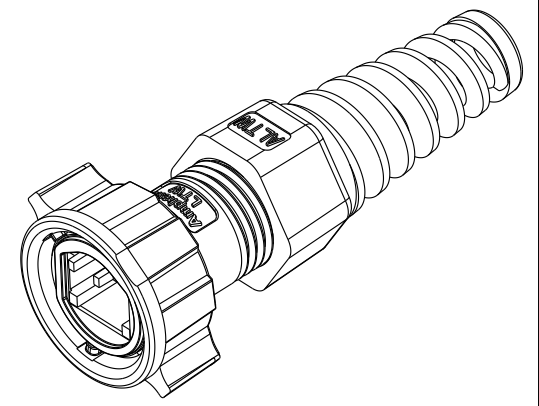
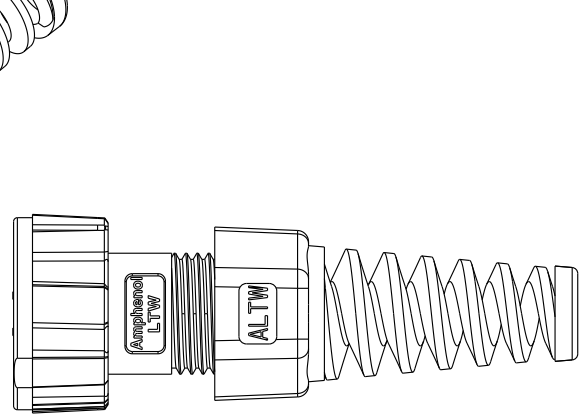
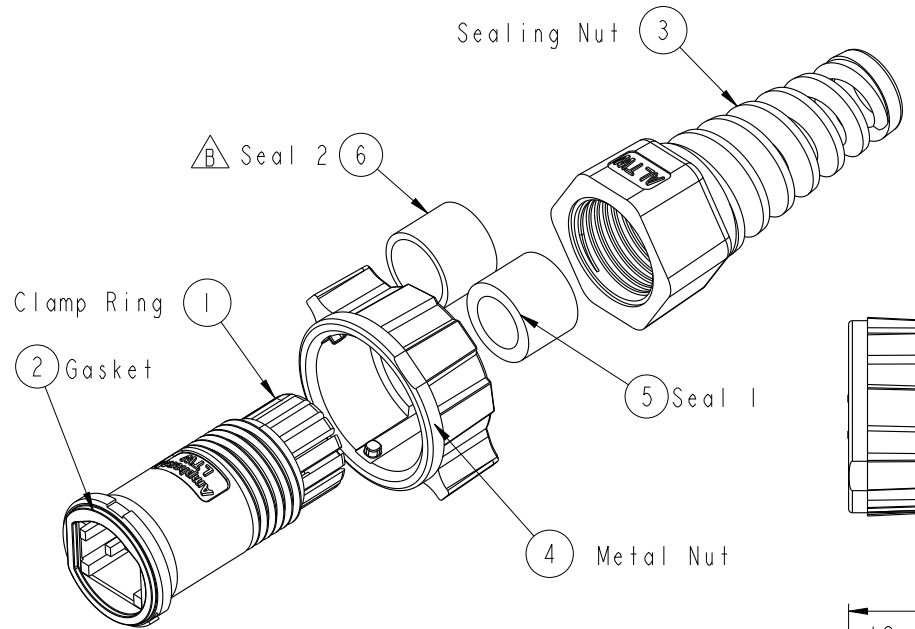


REV.	ECN NO.	DATE	SIGN	DESCRIPTION
A		2017/03/29	Kris	Initial Release
B	CI90019	2018/12/21	Mafei	Adding One Connector.



RCM-00AMMA-TLM7002

RCM-00AMMA-TLM7001

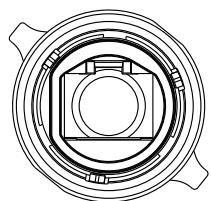
- Note:
- * CC Important Dimension to Check
 - * Waterproof Rate: IP67 (Mated)
 - * Clamp Ring: Nylon, Black.
 - * Metal Nut: ZINC Alloy, Nickel plated.
 - * Sealing Nut: Nylon, Black
 - * Seal & Gasket: Silicone, Drak Gray
 - * Seal 1 for cable OD range: $\varnothing 4.5\text{--}\varnothing 7.5\text{mm}$;
 - * Seal 2 for cable OD range: $\varnothing 7.5\text{--}\varnothing 8.5\text{mm}$;
 - * One Set Unassembled In One PE Bag.

UNIT: mm		TITLE RJ Field Installable, Metal Nut			ITEM NO	DRAWN BY Mafei	DATE 2018-12-21
		TOLERANCE .X ±0.25 .XX ±0.1 .XXX ±0.05 ANGLES ±1°	SCALE 1:1	SIZE A4	SHEET 1 OF 2	DWG NO RCM-00AMMA-TLM700X	CHECKED BY Jerry
		REV. B	WC-REV. A.5	CC : Inspection item	CUSTOMER ALTW	APPROVED BY Max	DATE 2018-12-21

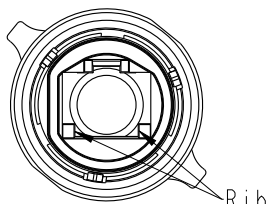
Amphenol LTW
安費諾亮泰企業股份有限公司

THIS DOCUMENT IS SUBJECT TO CHANGE WITHOUT NOTICE. IT IS CONFIDENTIAL AND A PROPERTY OF Amphenol LTW. DISCLOSURE TO THIRD PARTY HAS TO BE AUTHORIZED BY Amphenol LTW.

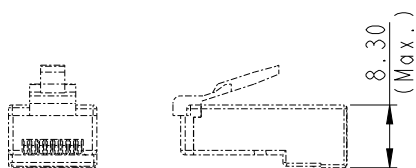
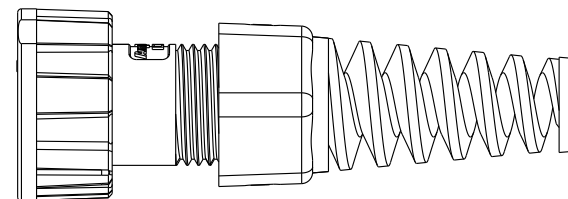
THIS DOCUMENT IS SUBJECT TO CHANGE WITHOUT NOTICE. IT IS CONFIDENTIAL AND A PROPERTY OF Amphenol LTW. DISCLOSURE TO THIRD PARTY HAS TO BE AUTHORIZED BY Amphenol LTW.



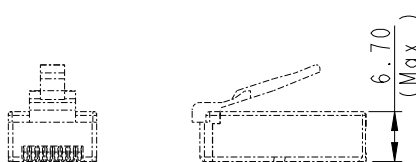
RCM-00AMMA-TLM7002



RCM-00AMMA-TLM7001



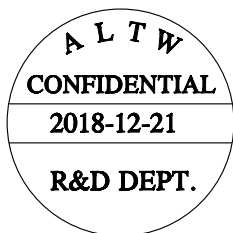
Suggested Plug: Style 2
For: RCM-00AMMA-TLM7002



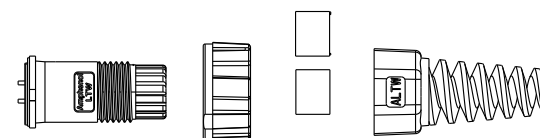
Suggested Plug: Style 1
For: RCM-00AMMA-TLM7001

RCM-00AMMA-TLM700X

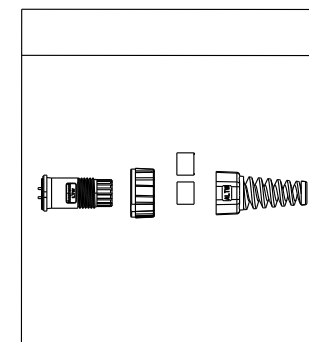
- 1: Suitable for Plug Style 1, Without Plug.
- 2: Suitable for Plug Style 2, Without Plug.



Package

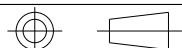


↓ QTY: 1 Set



PE Bag

UNIT: mm



TOLERANCE
.X ±0.25
.XX ±0.1
.XXX ±0.05
ANGLES ±1°

TITLE RJ Field Installable, Metal Nut			
SCALE 1:1	SIZE A4	SHEET 2 OF 2	
REV. B	WC-REV. A.5	QC: Inspection item	

Amphenol LTW
安費諾亮泰企業股份有限公司

ITEM NO	DRAWN BY Mafei	DATE 2018-12-21
DWG NO RCM-00AMMA-TLM700X	CHECKED BY Jerry	DATE 2018-12-21
CUSTOMER ALTW	APPROVED BY Max	DATE 2018-12-21

X-ON Electronics

Largest Supplier of Electrical and Electronic Components

Click to view similar products for [Modular Connectors](#) / [Ethernet Connectors](#) category:

Click to view products by [Amphenol](#) manufacturer:

Other Similar products are found below :

[8949-H88/06BLKA/SN](#) [74441-0010/BKN](#) [MP1010RX-1000](#) [MP44RX-1000](#) [PHJ-4P4C-1-V-4](#) [PHP-6P6C-5](#) [GAX-3-66](#) [GAX-8-62](#) [GDCX-PA-66-50](#) [GDCX-PN-64](#) [GDCX-PN-66](#) [GDCX-PN-66-50](#) [GDLX-A-66](#) [GDLX-N-66](#) [GDLX-S-66](#) [GDLX-S-88K](#) [GDTX-S-88-50](#) [GDX-PA-1010](#) [GLX-N-1010M-BLK](#) [GLX-S-88M-BLK](#) [GMX-N-1010](#) [GMX-S-1010](#) [GMX-S-66](#) [GMX-SMT4-N-88](#) [GPX-2-64](#) [GSGX-N-2-88](#) [GSGX-N-4-88](#) [GSX-NS2-88-3.05-50](#) [PT-108A-8C-UL](#) [PT-J951-8C](#) [PTS-J531-8CS-50UL](#) [1-1775629-2](#) [A-2014-0-4](#) [GWLX-S-88-GR](#) [GWLX-S9-88-YG](#) [DC-1021-8-WH-6](#) [1300530003](#) [1324640-4](#) [RJ11FTVC2G](#) [RJ11FTVC2N](#) [RJFTVX2SA1G](#) [132764-001](#) [1413235](#) [MP88X-1000](#) [MPS88RX-5000](#) [MRJR-5481-0F2](#) [E5288-S000K3-L](#) [E5908-15A242-L](#) [155302-001](#) [AX100653](#)