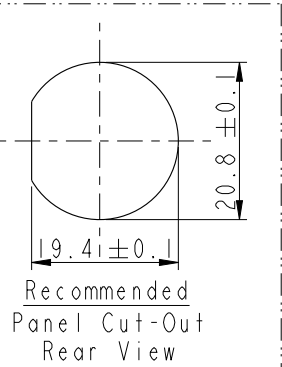
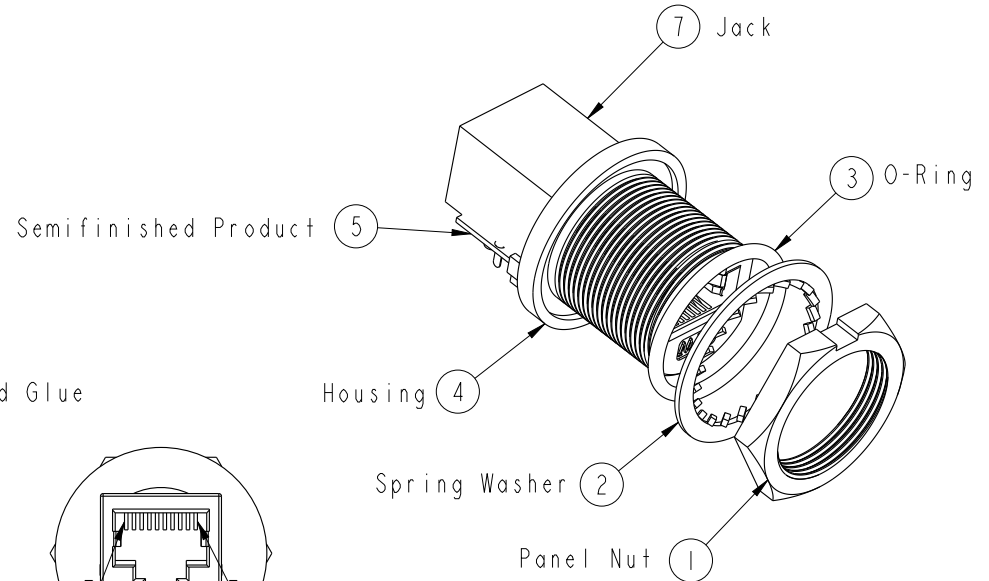
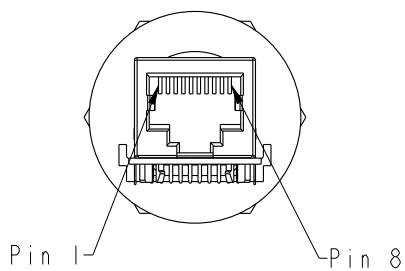
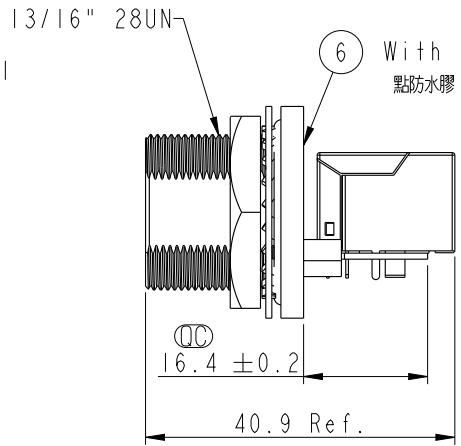
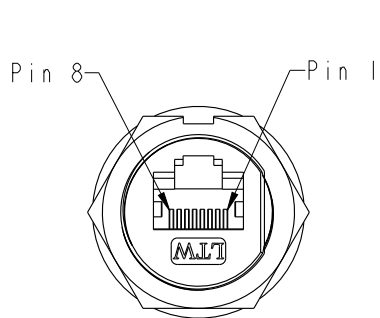
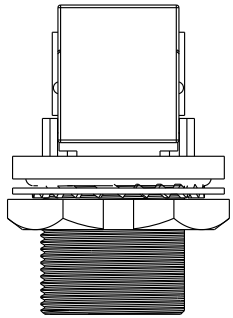


REV.	ECN NO.	DATE	SIGN	DESCRIPTION
B	LEN1460066	2014/06/18	Tom	Change Panel Thickness



ALTW
CONFIDENTIAL
 2014-06-18
R&D DEPT.

- Note:
- * \varnothing Important Dimension
 - * Waterproof Rate: IP67 Unmated
 - * Panel Nut: Zinc Alloy, Nickel Plated
 - * Spring Washer: SUS304
 - * O-Ring: Silicone, Gray_Black
 - * Housing: Zinc Alloy, Nickel Plated
 - * Finish: Nickel Plated 120u" Min.
Over Copper Plated 500u" Min.
 - $\triangle B$ * Use With Waterproof Cap Or Dust Cap
For Panel Thickness Max: 3.0mm
 - $\triangle B$ * Use Without Waterproof Cap Or Dust Cap
For Panel Thickness Max: 4.2mm
 - * Recommend Force: 8~10kg-cm

UNIT:mm TOLERANCE .X ±0.25 .XX ±0.1 .XXX ±0.05 ANGLES ±1°		TITLE RJ45,C SIZE, JACK 180SIDE UNMATED WATERPROOF		Amphenol LTW 安費諾亮泰企業股份有限公司	ITEM NO RCM-5SPFFH-SCU7001	DRAWN BY Tom	DATE 2014-06-18	
		SCALE 1:1	SIZE A4		SHEET 1 OF 1	DWG NO RCM-5SPFFH-SCU7001	CHECKED BY Jerry	DATE 2014-06-18
		REV. B	WC-REV. A.7		\varnothing : Inspection item	CUSTOMER ALTW	APPROVED BY Victor	DATE 2014-06-18

THIS DOCUMENT IS SUBJECT TO CHANGE WITHOUT NOTICE. IT IS CONFIDENTIAL AND A PROPERTY OF Amphenol LTW. DISCLOSURE TO THIRD PARTY HAS TO BE AUTHORIZED BY Amphenol LTW.

X-ON Electronics

Largest Supplier of Electrical and Electronic Components

Click to view similar products for [Modular Connectors](#) / [Ethernet Connectors](#) category:

Click to view products by [Amphenol](#) manufacturer:

Other Similar products are found below :

[8949-H88/06BLKA/SN](#) [74441-0010/BKN](#) [MP1010RX-1000](#) [MP44RX-1000](#) [PHJ-4P4C-1-V-4](#) [PHP-6P6C-5](#) [GAX-3-66](#) [GAX-8-62](#) [GDCX-PA-66-50](#) [GDCX-PN-64](#) [GDCX-PN-66](#) [GDCX-PN-66-50](#) [GDLX-A-66](#) [GDLX-N-66](#) [GDLX-S-66](#) [GDLX-S-88K](#) [GDTX-S-88-50](#) [GDX-PA-1010](#) [GLX-N-1010M-BLK](#) [GLX-S-88M-BLK](#) [GMX-N-1010](#) [GMX-S-1010](#) [GMX-S-66](#) [GMX-SMT4-N-88](#) [GPX-2-64](#) [GSGX-N-2-88](#) [GSGX-N-4-88](#) [GSX-NS2-88-3.05-50](#) [PT-108A-8C-UL](#) [PT-J951-8C](#) [PTS-J531-8CS-50UL](#) [1-1775629-2](#) [A-2014-0-4](#) [GWLX-S-88-GR](#) [GWLX-S9-88-YG](#) [DC-1021-8-WH-6](#) [1300530003](#) [1324640-4](#) [RJ11FTVC2G](#) [RJ11FTVC2N](#) [RJFTVX2SA1G](#) [132764-001](#) [1413235](#) [MP88X-1000](#) [MPS88RX-5000](#) [MRJR-5481-0F2](#) [E5288-S000K3-L](#) [E5908-15A242-L](#) [155302-001](#) [AX100653](#)