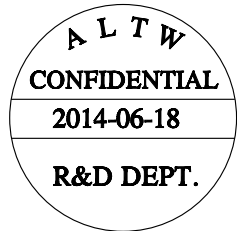
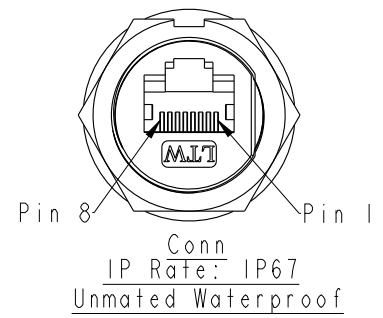
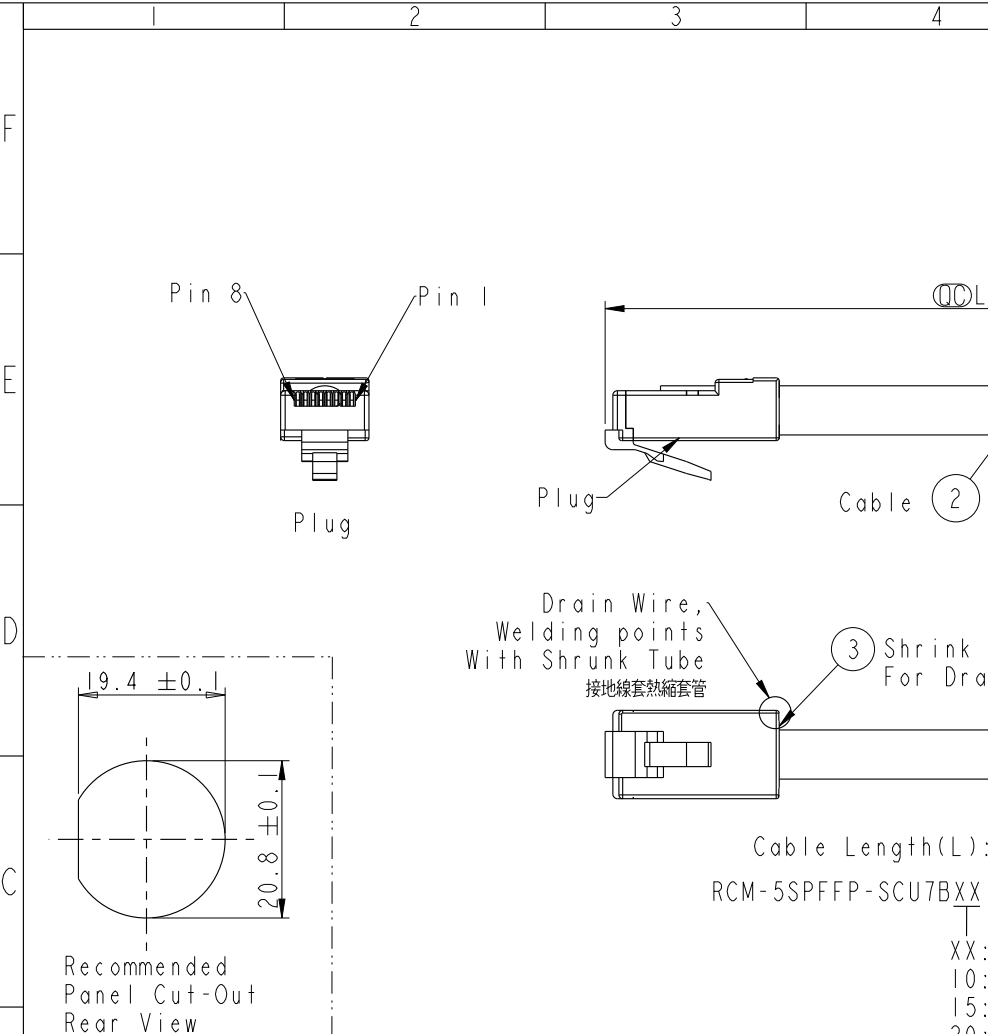


THIS DOCUMENT IS SUBJECT TO CHANGE WITHOUT NOTICE. IT IS CONFIDENTIAL AND A PROPERTY OF Amphenol LTW. DISCLOSURE TO THIRD PARTY HAS TO BE AUTHORIZED BY Amphenol LTW.

REV.	ECN NO.	DATE	SIGN	DESCRIPTION
B	LEN1460068	2014/06/18	Tom	Change Panel Thickness



Drain Wire, Welding points With Shrink Tube  
 接地線套熱縮套管

Cable Length(L): 100~1000mm  
 RCM-5SPFFP-SCU7BXX

XX: 100~1000mm
10: 100mm
15: 150mm
20: 200mm
95: 950mm
A0: 1000mm

Cable length	Tolerance
0.0~100 mm	±10 mm
101~300 mm	±15 mm
301~1000 mm	±20 mm

- Note:
- \*  $\varnothing$  Important Dimension
  - \* Panel Nut: Zinc Alloy, Nickel Plated
  - \* Spring Washer: SUS304
  - \* O-Ring: Silicone, Gray\_Black
  - \* Housing: Zinc Alloy, Nickel Plated
  - \* Use with waterproof cap or dust cap for Panel Thickness Max: 3.0mm
  - \* Use without waterproof cap or dust cap for Panel Thickness Max: 4.2mm
  - \* Plug: 8P8C, Gold Plated, Shielded
  - \* Recommend Force: 8~10kg-cm
  - \* Cable: CAT5E FTP 24AWG\*4P+My+Drain+Al/My(UV Resistant), OD=6.5mm, Black

Shield	Drain Wire	地線	Shield
8	Brown	棕	8
7	Brown /White	棕/白	7
6	Green	綠	6
5	Blue/White	藍/白	5
4	Blue	藍	4
3	Green/White	綠/白	3
2	Orange	橘	2
1	Orange/White	橘/白	1
Plug	Wire Color	Conn.2	

UNIT:mm		TITLE RJ45,C SIZE,PCB W/CABLE
TOLERANCE .X ±0.25 .XX ±0.1 .XXX ±0.05 ANGLES ±1°	SCALE 1:1	SIZE A4
	REV. B	WC-REV. A.4
		$\varnothing$ : Inspection item

**Amphenol LTW**  
 安費諾亮泰企業股份有限公司

ITEM NO	DRAWN BY	DATE
DWG NO RCM-5SPFFP-SCU7BXX	Tom	2014-06-18
CUSTOMER	CHECKED BY	DATE
ALTW	Jerry	2014-06-18
	APPROVED BY	DATE
	Victor	2014-06-18

## X-ON Electronics

Largest Supplier of Electrical and Electronic Components

*Click to view similar products for [Ethernet Cables / Networking Cables](#) category:*

*Click to view products by [Amphenol](#) manufacturer:*

Other Similar products are found below :

[73-6670-7](#) [73-6680-15](#) [73-7797-25](#) [MCJB2-10P6Q7-120](#) [84909-0204](#) [1200700174](#) [1200860368](#) [E16A06002M030](#) [E200102-009-S1](#)  
[AX105346-EW](#) [MT14-187L](#) [17-103530](#) [ERWPAB3002M005](#) [190-038045-01](#) [NK5EPC18RDY](#) [NK5EPC18VLY](#) [NK5EPC18YLY](#)  
[NK5EPC1GRY](#) [NK5EPC4Y](#) [NK5EPC6YLY](#) [NK5EPC8BLY](#) [NK5EPC9YLY](#) [1969343-6](#) [C501100010](#) [C501106002](#) [C501106007](#)  
[C501106015](#) [C501106025](#) [C601102010](#) [C601104010](#) [C601106007](#) [C601106015](#) [2142758-2](#) [2168427-2](#) [CAT1106007](#) [21949-1](#) [2J1866A](#)  
[RJF SFTP 5E 0500](#) [AX100351](#) [MN14CEC/ST](#) [C501100015](#) [C501106004](#) [C501106010](#) [C5F1108007](#) [C601104004](#) [C601106004](#)  
[CA21106004](#) [CA21106010](#) [CA21106015](#) [CA21109007](#)