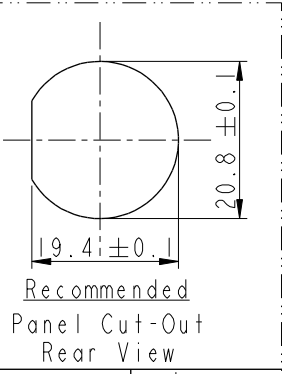
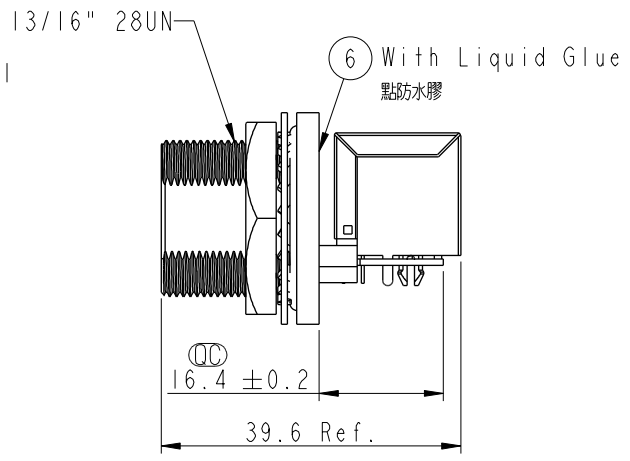
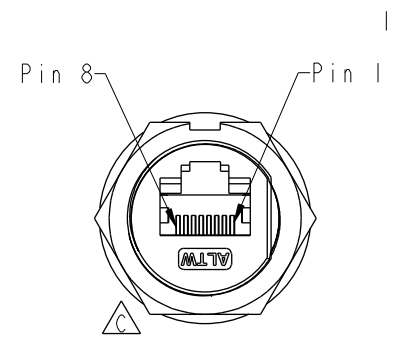
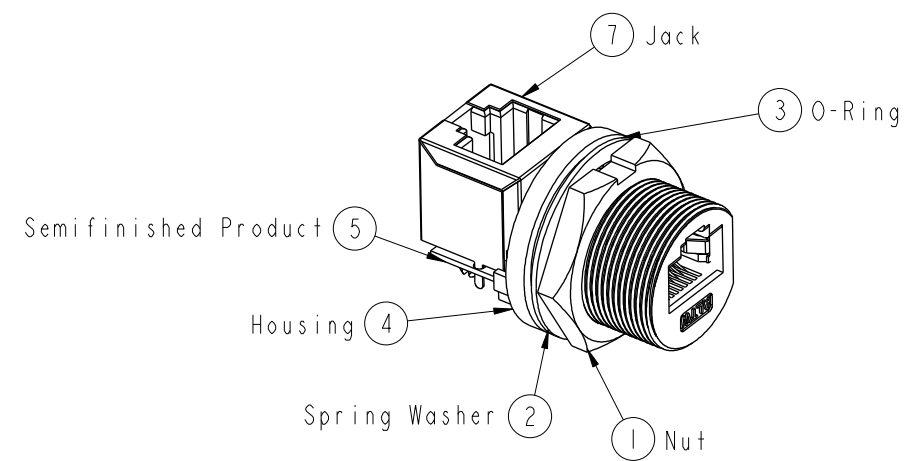
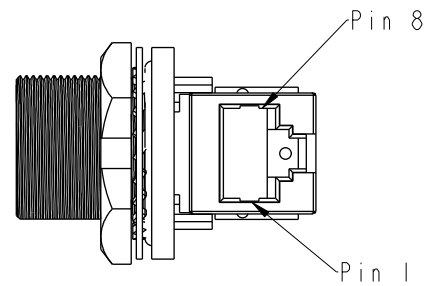
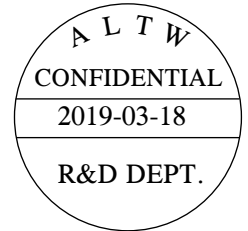


THIS DOCUMENT IS SUBJECT TO CHANGE WITHOUT NOTICE. IT IS CONFIDENTIAL AND A PROPERTY OF Amphenol LTW. DISCLOSURE TO THIRD PARTY HAS TO BE AUTHORIZED BY Amphenol LTW.

REV.	ECN NO.	DATE	SIGN	DESCRIPTION
B	LEN1460067	2014/06/18	Tom	Change Panel Thickness
C	CI80506	2018/12/3	Ouyang	Change Logo
D	CI90405	2019/03/18	Ruru	Modify Note



- Note:
- \* Important Dimension
  - \* Waterproof Rate: IP67, Unmated
  - \* Nut: Metal, Nickel Plated
  - \* Spring Washer: Metal
  - \* O-Ring: Rubber, Gray-Black
  - \* Housing: Metal, Nickel Plated
  - \* Use With Waterproof Cap Or Dust Cap For Panel Thickness Max: 3.0mm
  - \* Use Without Waterproof Cap Or Dust Cap For Panel Thickness Max: 4.2mm
  - \* Recommend Force: 8~10kg-cm
  - \* Nut are packed separately in PE bags



<b>UNIT:mm</b> TOLERANCE .X ±0.25 .XX ±0.1 .XXX ±0.05 ANGLES ±1°	TITLE <b>RJ45,C SIZE, JACK 90SIDE WATERPROOF</b>		<b>Amphenol LTW</b> <b>安費諾亮泰企業股份有限公司</b>		ITEM NO RCM-5SPFFV-SCU7001	DRAWN BY Ruru	DATE 2019-03-18
	SCALE 1:1	SIZE A4			SHEET 1 OF 1	DWG NO RCM-5SPFFV-SCU7001	CHECKED BY Rita
	REV. D	WC-REV. A.6	Inspection item	CUSTOMER ALTW	APPROVED BY Max	DATE 2019-03-18	

## X-ON Electronics

Largest Supplier of Electrical and Electronic Components

*Click to view similar products for [Modular Connectors](#) / [Ethernet Connectors](#) category:*

*Click to view products by [Amphenol](#) manufacturer:*

Other Similar products are found below :

[8949-H88/06BLKA/SN](#) [74441-0010/BKN](#) [MP1010RX-1000](#) [MP44RX-1000](#) [PHJ-4P4C-1-V-4](#) [PHP-6P6C-5](#) [GAX-3-66](#) [GAX-8-62](#) [GDCX-PA-66-50](#) [GDCX-PN-64](#) [GDCX-PN-66](#) [GDCX-PN-66-50](#) [GDLX-A-66](#) [GDLX-N-66](#) [GDLX-S-66](#) [GDLX-S-88K](#) [GDTX-S-88-50](#) [GDX-PA-1010](#) [GLX-N-1010M-BLK](#) [GLX-S-88M-BLK](#) [GMX-N-1010](#) [GMX-S-1010](#) [GMX-S-66](#) [GMX-SMT4-N-88](#) [GPX-2-64](#) [GSGX-N-2-88](#) [GSGX-N-4-88](#) [GSX-NS2-88-3.05-50](#) [PT-108A-8C-UL](#) [PT-J951-8C](#) [PTS-J531-8CS-50UL](#) [1-1775629-2](#) [A-2014-0-4](#) [GWLX-S-88-GR](#) [GWLX-S9-88-YG](#) [DC-1021-8-WH-6](#) [1300530003](#) [1324640-4](#) [RJ11FTVC2G](#) [RJ11FTVC2N](#) [RJFTVX2SA1G](#) [132764-001](#) [1413235](#) [MP88X-1000](#) [MPS88RX-5000](#) [MRJR-5481-0F2](#) [E5288-S000K3-L](#) [E5908-15A242-L](#) [155302-001](#) [AX100653](#)