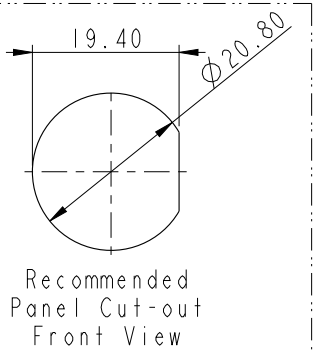
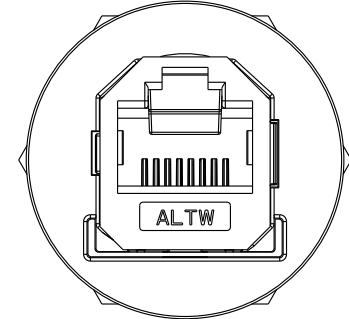
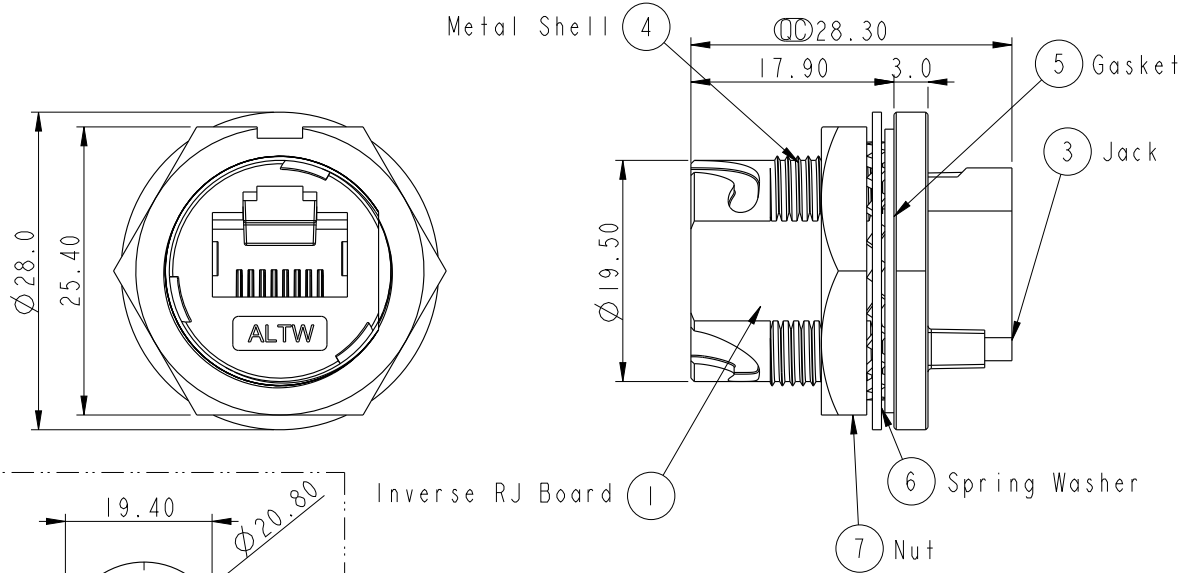
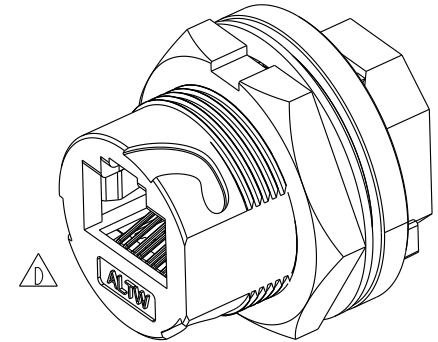
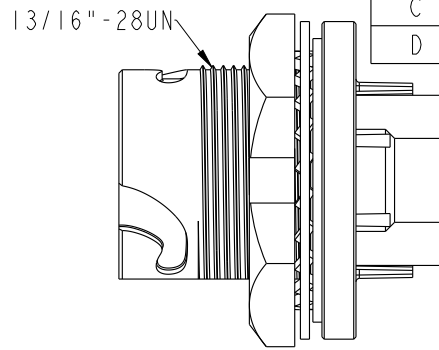


REV.	ECN NO.	DATE	SIGN	DESCRIPTION
B	C190405	2019/03/14	Ruru	Modify Note
C	C190541	2019/04/16	JC Chen	Modified parts
D	C201852	2020/11/25	Nan_Su	$\triangle D$ *2



- $\triangle B$  Note:
- \*  $\text{CC}$  Important Dimension to check
  - \* Waterproof Rate: IP67, Mated
  - \* Insert Housing: Thermoplastic, Black
  - \* Pin: Copper Alloy, Gold Plated
  - \* Metal Shell & Jack & Nut: Metal, Nickel Plated
  - $\triangle C$  \* O-Ring: Silicone Gray\_Black.
  - \* Spring Washer: Stainless steel.
  - \* Use without waterproof cap or Dust cap for panel thickness Max:4.2mm
  - \* Use with waterproof cap or Dust cap for panel thickness Max:3.0mm
  - $\triangle C$  \* Screw Torque :9~12kgf-cm
  - \* Gasket and Nut are packed separately in PE bags.

UNIT: mm		TITLE RJ, C METAL, C6A SHLD FRONT FASTENED, F, PNL JACK S, 3LOCK $\triangle D$			<h1>Amphenol LTW</h1> <p>安費諾亮泰企業股份有限公司</p>	ITEM NO	DRAWN BY	DATE
		TOLERANCE	SCALE	SIZE		SHEET	OF	RCM-6APFFH-TCM7001
.X $\pm 0.25$		3:2	A4	1	1	DWG NO	CHECKED BY	DATE
.XX $\pm 0.1$		REV. D	WC-REV. .0	$\text{CC}$ : Inspection item		RCM-6APFFH-TCM7001	Li Feng	2019-04-16
.XXX $\pm 0.05$						CUSTOMER	APPROVED BY	DATE
ANGLES $\pm 1^\circ$						ALTW	Jerry	2019-04-16

THIS DOCUMENT IS SUBJECT TO CHANGE WITHOUT NOTICE. IT IS CONFIDENTIAL AND A PROPERTY OF Amphenol LTW. DISCLOSURE TO THIRD PARTY HAS TO BE AUTHORIZED BY Amphenol LTW.

## X-ON Electronics

Largest Supplier of Electrical and Electronic Components

*Click to view similar products for [Modular Connectors / Ethernet Connectors](#) category:*

*Click to view products by [Amphenol](#) manufacturer:*

Other Similar products are found below :

[8949-H88/06BLKA/SN](#) [74441-0010/BKN](#) [MP1010RX-1000](#) [MP44RX-1000](#) [PHJ-4P4C-1-V-4](#) [PHP-6P6C-5](#) [GAX-3-66](#) [GAX-8-62](#) [GDCX-PA-66-50](#) [GDCX-PN-64](#) [GDCX-PN-66](#) [GDCX-PN-66-50](#) [GDLX-A-66](#) [GDLX-N-66](#) [GDLX-S-66](#) [GDLX-S-88K](#) [GDTX-S-88-50](#) [GDX-PA-1010](#) [GLX-N-1010M-BLK](#) [GLX-S-88M-BLK](#) [GMX-N-1010](#) [GMX-S-1010](#) [GMX-S-66](#) [GMX-SMT4-N-88](#) [GPX-2-64](#) [GSGX-N-2-88](#) [GSGX-N-4-88](#) [GSX-NS2-88-3.05-50](#) [PT-108A-8C-UL](#) [PT-J951-8C](#) [PTS-J531-8CS-50UL](#) [1-1775629-2](#) [A-2014-0-4](#) [GWLX-S-88-GR](#) [GWLX-S9-88-YG](#) [DC-1021-8-WH-6](#) [1300530003](#) [1324640-4](#) [RJ11FTVC2G](#) [RJ11FTVC2N](#) [RJFTVX2SA1G](#) [132764-001](#) [1413235](#) [MP88X-1000](#) [MPS88RX-5000](#) [MRJR-5481-0F2](#) [E5288-S000K3-L](#) [E5908-15A242-L](#) [155302-001](#) [AX100653](#)