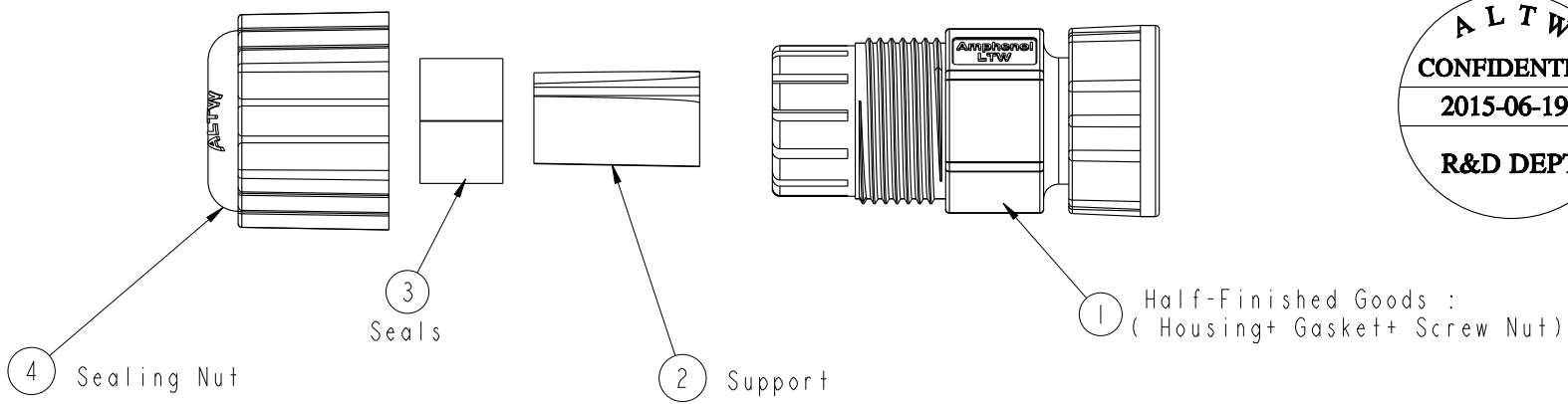
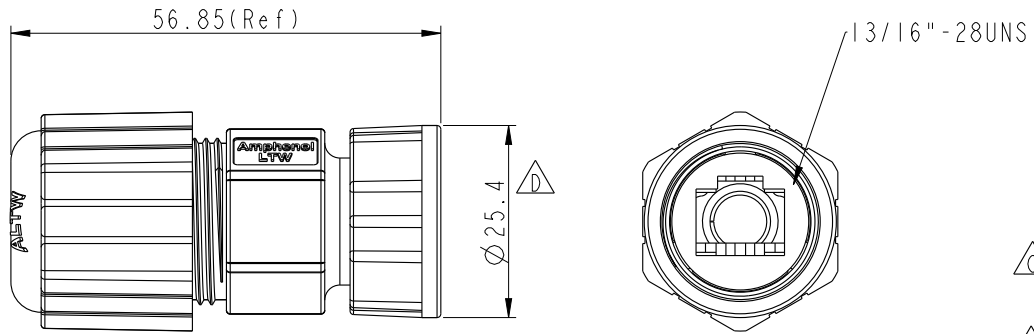


REV.	ECN NO.	DATE	SIGN	DESCRIPTION
B	LEN1420098	2014-02-21	Yulong-wang	Change Screw Nut To Lock Nut; Remove the Pulg & Change the Note
C	LE31490140	2014-09-01	Joyy	Change to 94V0 material
D	LEN1570168	2015-06-19	Tom	Change Tolerance

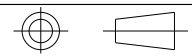


ALTW
CONFIDENTIAL
2015-06-19
R&D DEPT.



- Note:
- * \varnothing Important Dimension
 - * Waterproof Rate : IP67 (Mated)
 - * Housing : Nylon66, Black
 - * Gasket : Silicone, Gray
 - * Screw Nut : Nylon+GF, Black
 - * Support: PVC, Black
 - * Sealing Nut: Nylon+GF, Black
 - * Seals: Silicone, Gray.
 - * Cable OD Range: 5.0~6.5mm
 - * Mating Nut Torsion Value Range: 5~8kgf-cm
 - * Sealing Nut Torsion Value Range: 8~15kgf-cm
 - * One Set Unassembled in One PE Bag.

UNIT : mm



TITLE RJ45 FEED-THRU, 13/16"-28, CSIZE			
SCALE 1:1	SIZE A4	SHEET 1 OF 1	
REV. D	WC-REV. A.19	QC: Inspection item	

Amphenol LTW
安費諾亮泰企業股份有限公司

ITEM NO RCP-00BMMS-SLM7001	DRAWN BY Tom	DATE 2015-06-19
DWG NO RCP-00BMMS-SLM7001	CHECKED BY Jiazhen	DATE 2015-06-19
CUSTOMER ALTW	APPROVED BY Jerry	DATE 2015-06-19

THIS DOCUMENT IS SUBJECT TO CHANGE WITHOUT NOTICE. IT IS CONFIDENTIAL AND A PROPERTY OF Amphenol LTW. DISCLOSURE TO THIRD PARTY HAS TO BE AUTHORIZED BY Amphenol LTW.

X-ON Electronics

Largest Supplier of Electrical and Electronic Components

Click to view similar products for [Modular Connectors / Ethernet Connectors](#) category:

Click to view products by [Amphenol](#) manufacturer:

Other Similar products are found below :

[8949-H88/06BLKA/SN](#) [74441-0010/BKN](#) [MP1010RX-1000](#) [MP44RX-1000](#) [PHJ-4P4C-1-V-4](#) [PHP-6P6C-5](#) [GAX-3-66](#) [GAX-8-62](#) [GDCX-PA-66-50](#) [GDCX-PN-64](#) [GDCX-PN-66](#) [GDCX-PN-66-50](#) [GDLX-A-66](#) [GDLX-N-66](#) [GDLX-S-66](#) [GDLX-S-88K](#) [GDTX-S-88-50](#) [GDX-PA-1010](#) [GLX-N-1010M-BLK](#) [GLX-S-88M-BLK](#) [GMX-N-1010](#) [GMX-S-1010](#) [GMX-S-66](#) [GMX-SMT4-N-88](#) [GPX-2-64](#) [GSGX-N-2-88](#) [GSGX-N-4-88](#) [GSX-NS2-88-3.05-50](#) [PT-108A-8C-UL](#) [PT-J951-8C](#) [PTS-J531-8CS-50UL](#) [1-1775629-2](#) [A-2014-0-4](#) [GWLX-S-88-GR](#) [GWLX-S9-88-YG](#) [DC-1021-8-WH-6](#) [1300530003](#) [1324640-4](#) [RJ11FTVC2G](#) [RJ11FTVC2N](#) [RJFTVX2SA1G](#) [132764-001](#) [1413235](#) [MP88X-1000](#) [MPS88RX-5000](#) [MRJR-5481-0F2](#) [E5288-S000K3-L](#) [E5908-15A242-L](#) [155302-001](#) [AX100653](#)