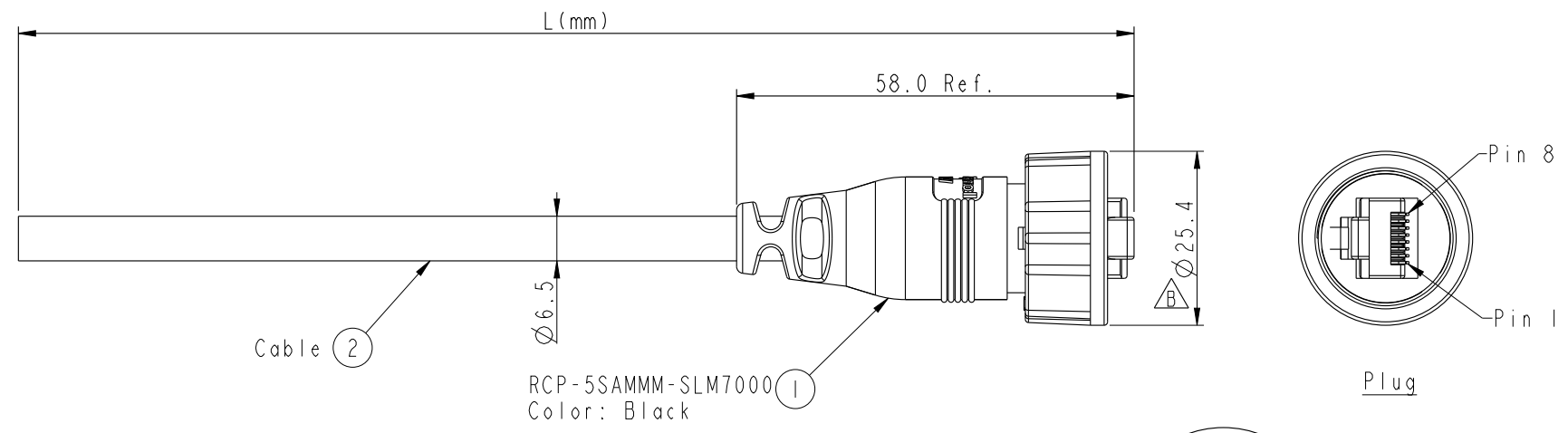


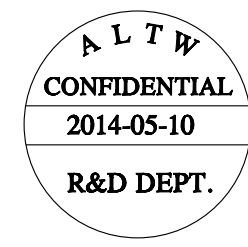
THIS DOCUMENT IS SUBJECT TO CHANGE WITHOUT NOTICE. IT IS CONFIDENTIAL AND A PROPERTY OF Amphenol LTW. DISCLOSURE TO THIRD PARTY HAS TO BE AUTHORIZED BY Amphenol LTW.

REV.	ECN NO.	DATE	SIGN	DESCRIPTION
B	LEN1440191	2014/05/10	Tom	Updated The Note



Cable (2)

RCP-5SAMMM-SLM7000
Color: Black



Pin Out		
Wire Color		Plug
Drain Wire	接地	Shield
Brown	棕	8
Brown/white	棕白	7
Green	綠	6
Blue/white	藍白	5
Blue	藍	4
Green/white	綠白	3
Orange	橙	2
Orange/white	橙白	1

Twist 對絞
Twist 對絞
Twist 對絞

RCP-5SAMMM-SLM7BXX

XX: 01~99Meter
01: 01Meter
02: 02Meters
:
99: 99Meters
Cable Length(L):01~99Meters
X:
(B)CAT5E FTP

Note:
 * (2) Important Dimension
 * Waterproof Rate:IP67.
 * Plug:PC,UL94V-2,Gold Plated,Shielded
 * Screw Nut:Nylon+GF,Black.
 * Gasket:EPDM,Black.
 * Cable: 24AWG*4P,Black,UV Resistant
 (B)CAT5E FTP,OD Max.:Ø6.5.
 * Cable Length Tolerance: 01M:±40mm
 02~05M:±60mm
 06~10M:±100mm
 11~30M:±200mm
 30~99M:±500mm

UNIT:mm			TITLE RJ45,C SIZE CABLE SCREW 5E M CONN M PIN
TOLERANCE .X ±0.25 .XX ±0.1 .XXX ±0.05 ANGLES ±1°	SCALE 1:1	SIZE A4	SHEET 1 OF 1
REV. B	WC-REV. B.3	QC: Inspection item	

Amphenol LTW
安費諾亮泰企業股份有限公司

ITEM NO	DRAWN BY Tom	DATE 2014-05-10
DWG NO RCP-5SAMMM-SLM7BXX	CHECKED BY Jerry	DATE 2014-05-10
CUSTOMER ALTW	APPROVED BY VICTOR	DATE 2014-05-10

X-ON Electronics

Largest Supplier of Electrical and Electronic Components

Click to view similar products for [Modular Connectors](#) / [Ethernet Connectors](#) category:

Click to view products by [Amphenol](#) manufacturer:

Other Similar products are found below :

[8949-H88/06BLKA/SN](#) [74441-0010/BKN](#) [MP1010RX-1000](#) [MP44RX-1000](#) [PHJ-4P4C-1-V-4](#) [PHP-6P6C-5](#) [GAX-3-66](#) [GAX-8-62](#) [GDCX-PA-66-50](#) [GDCX-PN-64](#) [GDCX-PN-66](#) [GDCX-PN-66-50](#) [GDLX-A-66](#) [GDLX-N-66](#) [GDLX-S-66](#) [GDLX-S-88K](#) [GDTX-S-88-50](#) [GDX-PA-1010](#) [GLX-N-1010M-BLK](#) [GLX-S-88M-BLK](#) [GMX-N-1010](#) [GMX-S-1010](#) [GMX-S-66](#) [GMX-SMT4-N-88](#) [GPX-2-64](#) [GSGX-N-2-88](#) [GSGX-N-4-88](#) [GSX-NS2-88-3.05-50](#) [PT-108A-8C-UL](#) [PT-J951-8C](#) [PTS-J531-8CS-50UL](#) [1-1775629-2](#) [A-2014-0-4](#) [GWLX-S-88-GR](#) [GWLX-S9-88-YG](#) [DC-1021-8-WH-6](#) [1300530003](#) [1324640-4](#) [RJ11FTVC2G](#) [RJ11FTVC2N](#) [RJFTVX2SA1G](#) [132764-001](#) [1413235](#) [MP88X-1000](#) [MPS88RX-5000](#) [MRJR-5481-0F2](#) [E5288-S000K3-L](#) [E5908-15A242-L](#) [155302-001](#) [AX100653](#)