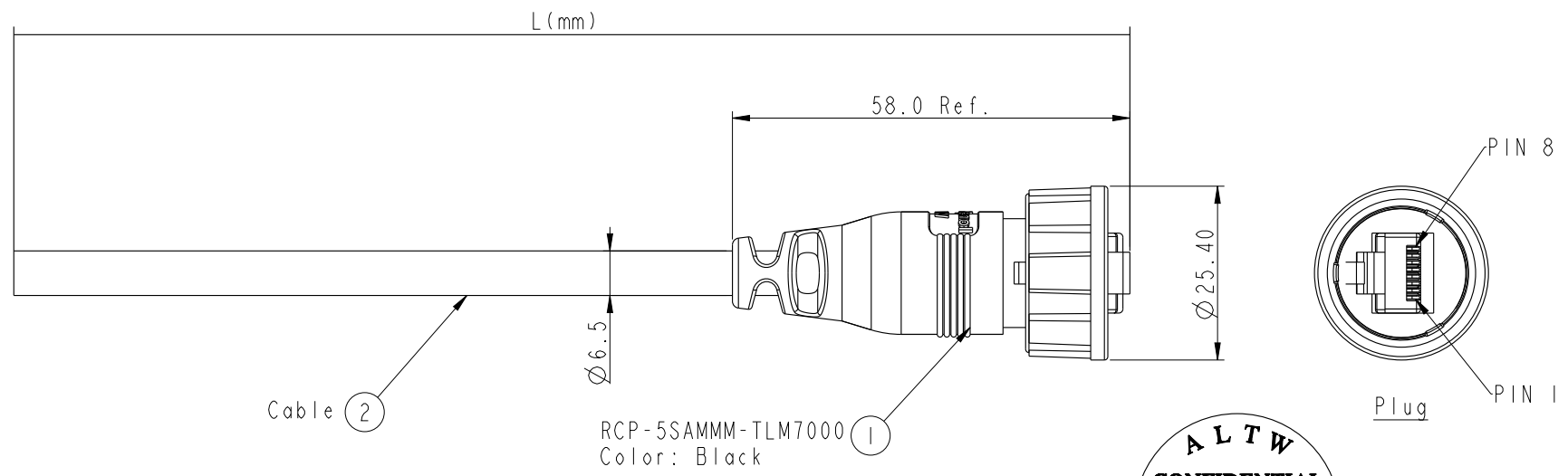


THIS DOCUMENT IS SUBJECT TO CHANGE WITHOUT NOTICE. IT IS CONFIDENTIAL AND A PROPERTY OF Amphenol LTW. DISCLOSURE TO THIRD PARTY HAS TO BE AUTHORIZED BY Amphenol LTW.

1	2	3	4	5	6	7	8
REV.	ECN NO.	DATE	SIGN	DESCRIPTION			



**ALTW**  
**CONFIDENTIAL**  
**2013-04-20**  
**R&D DEPT.**

RCP-5SAMMM-TLM7BXX

XX: 01~99Meter  
 01: 01Meter  
 02: 02Meters  
 :  
 :  
 99: 99Meters  
 Cable Length(L):01~99Meters

(B)CAT5E FTP

Note:  
 \*  $\varnothing$  Important Dimension  
 \* Waterproof Rate:IP67.  
 \* Plug:PC,UL94V-2,Gold Plated,Shielded  
 \* Lock Nut:Nylon+GF,Black.  
 \* Gasket:EPDM,Black.  
 \* Cable: (B)CAT5E FTP,OD Max.: $\varnothing$ 6.5,Black.  
 \* Cable Length Tolerance: 01M:  $\pm$ 40mm  
 02~05M:  $\pm$ 60mm  
 06~10M:  $\pm$ 100mm  
 11~30M:  $\pm$ 200mm  
 30~99M:  $\pm$ 500mm

Pin Out		
Wire Color		Plug
Drain Wire	接地	Shield
Brown	棕	8
Brown/white	棕白	7
Green	綠	6
Blue/white	藍白	5
Blue	藍	4
Green/white	綠白	3
Orange	橙	2
Orange/white	橙白	1

UNIT:mm			TITLE RJ45,C SIZE CABLE 3P_LOCK 5E M CONN M PIN
TOLERANCE .X $\pm$ 0.25 .XX $\pm$ 0.1 .XXX $\pm$ 0.05 ANGLES $\pm$ 1°	SCALE 1:1	SIZE A4	SHEET 1 OF 1
REV. A	WC-REV. A.8	$\varnothing$ : Inspection item	

**Amphenol LTW**  
 安費諾亮泰企業股份有限公司

ITEM NO	DRAWN BY Laurence_zang	DATE 2013-04-20
DWG NO RCP-5SAMMM-TLM7BXX	CHECKED BY RAISON	DATE 2013-04-20
CUSTOMER ALTW	APPROVED BY VICTOR	DATE 2013-04-20

F  
E  
D  
C  
B  
A

## X-ON Electronics

Largest Supplier of Electrical and Electronic Components

*Click to view similar products for [Modular Connectors / Ethernet Connectors](#) category:*

*Click to view products by [Amphenol](#) manufacturer:*

Other Similar products are found below :

[8949-H88/06BLKA/SN](#) [74441-0010/BKN](#) [MP1010RX-1000](#) [MP44RX-1000](#) [PHJ-4P4C-1-V-4](#) [PHP-6P6C-5](#) [GAX-3-66](#) [GAX-8-62](#) [GDCX-PA-66-50](#) [GDCX-PN-64](#) [GDCX-PN-66](#) [GDCX-PN-66-50](#) [GDLX-A-66](#) [GDLX-N-66](#) [GDLX-S-66](#) [GDLX-S-88K](#) [GDTX-S-88-50](#) [GDX-PA-1010](#) [GLX-N-1010M-BLK](#) [GLX-S-88M-BLK](#) [GMX-N-1010](#) [GMX-S-1010](#) [GMX-S-66](#) [GMX-SMT4-N-88](#) [GPX-2-64](#) [GSGX-N-2-88](#) [GSGX-N-4-88](#) [GSX-NS2-88-3.05-50](#) [PT-108A-8C-UL](#) [PT-J951-8C](#) [PTS-J531-8CS-50UL](#) [1-1775629-2](#) [A-2014-0-4](#) [GWLX-S-88-GR](#) [GWLX-S9-88-YG](#) [DC-1021-8-WH-6](#) [1300530003](#) [1324640-4](#) [RJ11FTVC2G](#) [RJ11FTVC2N](#) [RJFTVX2SA1G](#) [132764-001](#) [1413235](#) [MP88X-1000](#) [MPS88RX-5000](#) [MRJR-5481-0F2](#) [E5288-S000K3-L](#) [E5908-15A242-L](#) [155302-001](#) [AX100653](#)