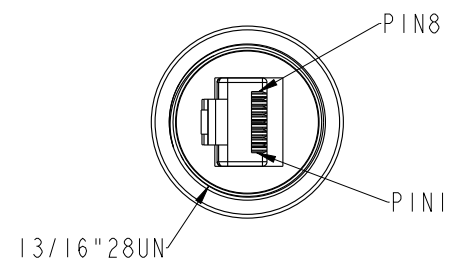
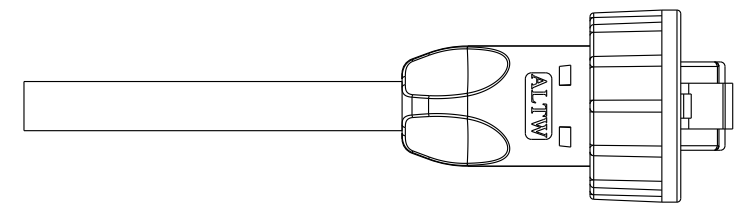
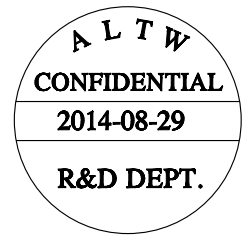
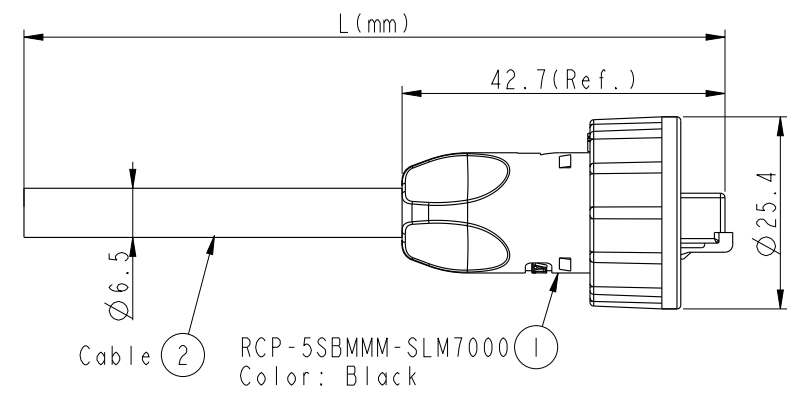


THIS DOCUMENT IS SUBJECT TO CHANGE WITHOUT NOTICE. IT IS CONFIDENTIAL AND A PROPERTY OF Amphenol LTW. DISCLOSURE TO THIRD PARTY HAS TO BE AUTHORIZED BY Amphenol LTW.

REV.	ECN NO.	DATE	SIGN	DESCRIPTION



Drain Wire	接地線	Shield	
Brown	棕	8	Twist
White/Brown	白/棕	7	
Green	綠	6	Twist
White/Blue	白/藍	5	
Blue	藍	4	Twist
White/Green	白/綠	3	
Orange	橘	2	Twist
White/Orange	白/橘	1	
Wire Color		Plug	
Pin Out			

RCP-5SBMMM-SLM7BXX
 T
 XX: 01~99Meters
 01: 01Meters
 02: 02Meters
 |
 99: 99Meters
 Cable Length(L):01~99Meters

- Note:
- * Ⓞ Important Dimension
 - * Waterproof Rate: IP67
 - * Plug: 8P8C, Gold Plated, Shielded
 - * Screw Nut: Nylon+GF, Black
 - * Cable: CAT5E FTP 24#*4P+D +Al/My(UV Resistant) OD=6.5mm, Black.
 - * Cable Length Tolerance:
 - 01M: ±40mm
 - 02~05M: ±60mm
 - 06~10M: ±100mm
 - 11~30M: ±200mm
 - 30~99M: ±500mm

UNIT:mm TOLERANCE .X ±0.25 .XX ±0.1 .XXX ±0.05 ANGLES ±1°		TITLE RJ45, C Size			Amphenol LTW 安費諾亮泰企業股份有限公司	ITEM NO	DRAWN BY Tom	DATE 2014-08-29
		SCALE 1:1	SIZE A4	SHEET 1 OF 1		DWG NO RCP-5SBMMM-SLM7BXX	CHECKED BY Jerry	DATE 2014-08-29
		REV. A	WC-REV. A.2	Ⓞ: Inspection item		CUSTOMER ALTW	APPROVED BY Victor	DATE 2014-08-29

X-ON Electronics

Largest Supplier of Electrical and Electronic Components

Click to view similar products for [Modular Connectors](#) / [Ethernet Connectors](#) category:

Click to view products by [Amphenol](#) manufacturer:

Other Similar products are found below :

[8949-H88/06BLKA/SN](#) [74441-0010/BKN](#) [MP1010RX-1000](#) [MP44RX-1000](#) [PHJ-4P4C-1-V-4](#) [PHP-6P6C-5](#) [GAX-3-66](#) [GAX-8-62](#) [GDCX-PA-66-50](#) [GDCX-PN-64](#) [GDCX-PN-66](#) [GDCX-PN-66-50](#) [GDLX-A-66](#) [GDLX-N-66](#) [GDLX-S-66](#) [GDLX-S-88K](#) [GDTX-S-88-50](#) [GDX-PA-1010](#) [GLX-N-1010M-BLK](#) [GLX-S-88M-BLK](#) [GMX-N-1010](#) [GMX-S-1010](#) [GMX-S-66](#) [GMX-SMT4-N-88](#) [GPX-2-64](#) [GSGX-N-2-88](#) [GSGX-N-4-88](#) [GSX-NS2-88-3.05](#) [GSX-NS2-88-3.05-50](#) [GSX-NS-88-3.68](#) [PT-108A-8C-UL](#) [PT-J951-8C](#) [PTS-J531-8CS-50UL](#) [1-1775629-2](#) [A-2014-0-4](#) [GWLX-S-88-GR](#) [GWLX-S9-88-YG](#) [DC-1021-8-WH-6](#) [1300530003](#) [1324640-4](#) [RJ11FTVC2G](#) [RJ11FTVC2N](#) [RJFTVX2SA1G](#) [132764-001](#) [1413235](#) [MP88X-1000](#) [MPS88RX-5000](#) [MRJR-5481-0F2](#) [E5288-S000K3-L](#) [E5908-15A242-L](#)