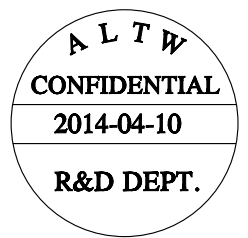
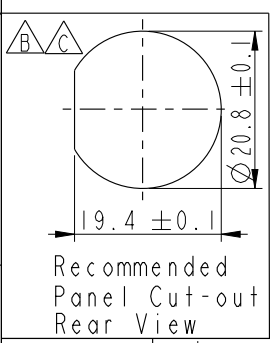
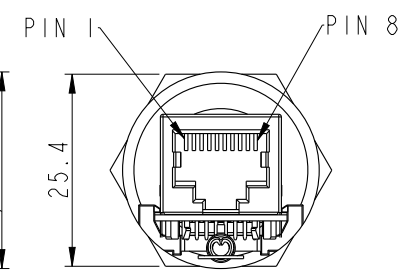
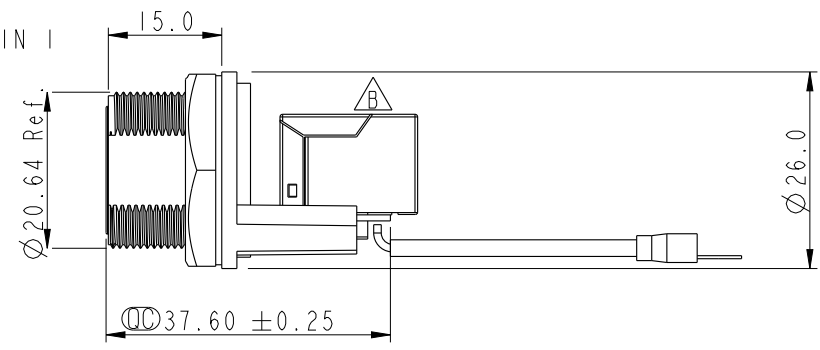
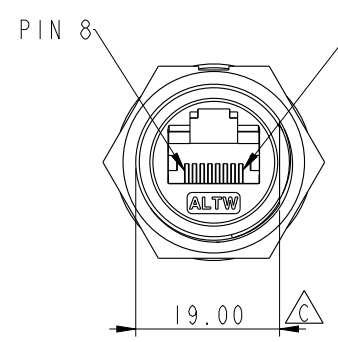
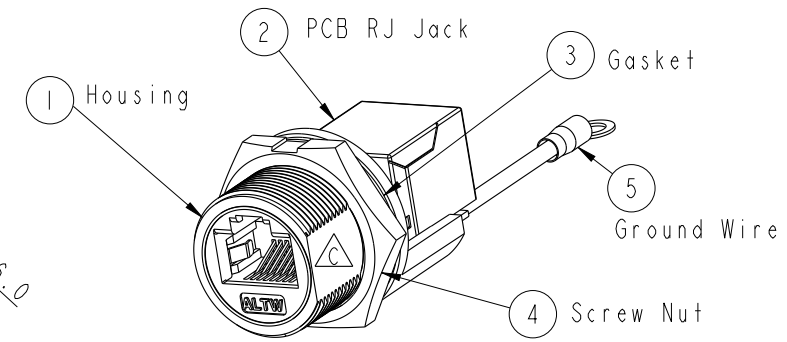
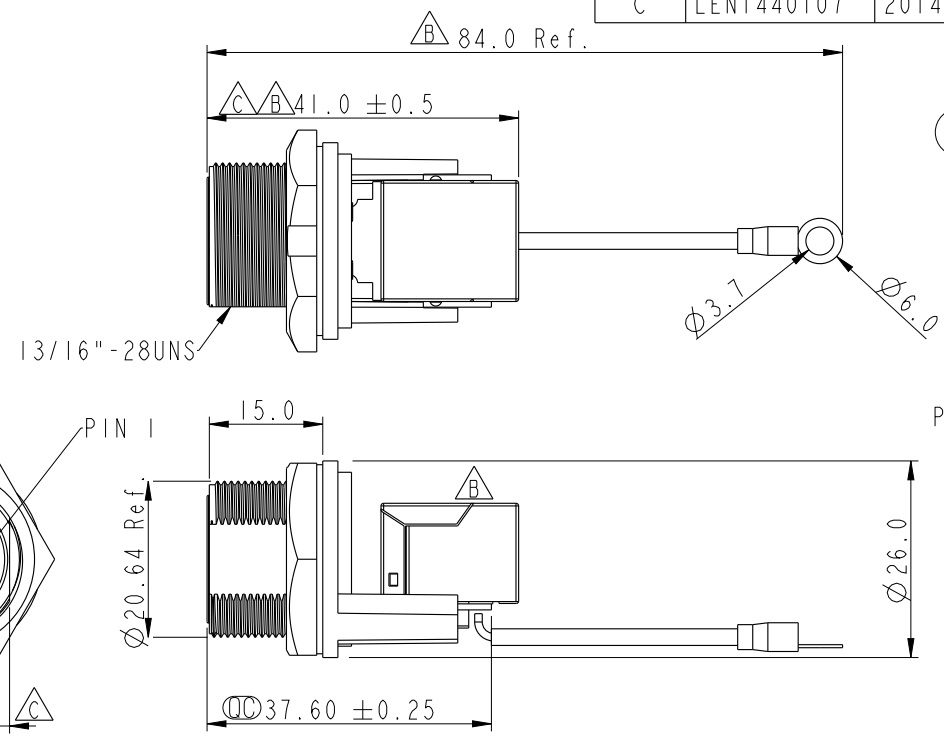


THIS DOCUMENT IS SUBJECT TO CHANGE WITHOUT NOTICE. IT IS CONFIDENTIAL AND A PROPERTY OF Amphenol LTW. DISCLOSURE TO THIRD PARTY HAS TO BE AUTHORIZED BY Amphenol LTW.

REV.	ECN NO.	DATE	SIGN	DESCRIPTION
B	LE313A0298	2013-09-07	Raison	Modify Jack, Note. Change H Cut
C	LEN1440107	2014-04-10	Tom_gu	Change H Cut To D Cut



- Note:
- \*  $\varnothing$  Important Dimension
  - \* Waterproof Rate : IP67 Unmated
  - \* Housing : Nylon+GF, UL 94V-0, BLACK
  - \* Screw Nut : Nylon+GF, BLACK
  - $\triangle B$  \* Gasket : Silicone, UL 94V-0, Gray.
  - \* PCB: FR-4
  - \* Jack : PBT Polyester UL 94V-0
  - $\triangle C$  \* Ground Terminal: Brass, Tin Plated, Thickness: 0.4mm
  - $\triangle B$  \* Use without Waterproof cap or Dust cap  
For Panel Thickness Max: 4.2mm
  - \* Use with Waterproof cap or Dust cap  
For Panel Thickness Max: 3.0mm
  - $\triangle B$  \* Screw torsion value range: 8~12kgf-cm

UNIT: mm		TITLE
TOLERANCE		RJ45, C SIZE, UNMATED WATERPROOF ADD GROUND WIRE
.X ±0.25		SCALE 1:1
.XX ±0.1		SIZE A4
.XXX ±0.05		SHEET 1 OF 1
ANGLES ±1°		REV. C
		WC-REV. B.4
		$\varnothing$ : Inspection item

**Amphenol LTW**  
安費諾亮泰企業股份有限公司

ITEM NO	RCP-5SPFFH-SCU7002	DRAWN BY	Tom_gu	DATE	2014-04-10
DWG NO	RCP-5SPFFH-SCU7002	CHECKED BY	Tony	DATE	2014-04-10
CUSTOMER	ALTW	APPROVED BY	Victor	DATE	2014-04-10

## X-ON Electronics

Largest Supplier of Electrical and Electronic Components

*Click to view similar products for [Modular Connectors](#) / [Ethernet Connectors](#) category:*

*Click to view products by [Amphenol](#) manufacturer:*

Other Similar products are found below :

[8949-H88/06BLKA/SN](#) [74441-0010/BKN](#) [MP1010RX-1000](#) [MP44RX-1000](#) [PHJ-4P4C-1-V-4](#) [PHP-6P6C-5](#) [GAX-3-66](#) [GAX-8-62](#) [GDCX-PA-66-50](#) [GDCX-PN-64](#) [GDCX-PN-66](#) [GDCX-PN-66-50](#) [GDLX-A-66](#) [GDLX-N-66](#) [GDLX-S-66](#) [GDLX-S-88K](#) [GDTX-S-88-50](#) [GDX-PA-1010](#) [GLX-N-1010M-BLK](#) [GLX-S-88M-BLK](#) [GMX-N-1010](#) [GMX-S-1010](#) [GMX-S-66](#) [GMX-SMT4-N-88](#) [GPX-2-64](#) [GSGX-N-2-88](#) [GSGX-N-4-88](#) [GSX-NS2-88-3.05-50](#) [PT-108A-8C-UL](#) [PT-J951-8C](#) [PTS-J531-8CS-50UL](#) [1-1775629-2](#) [A-2014-0-4](#) [GWLX-S-88-GR](#) [GWLX-S9-88-YG](#) [DC-1021-8-WH-6](#) [1300530003](#) [1324640-4](#) [RJ11FTVC2G](#) [RJ11FTVC2N](#) [RJFTVX2SA1G](#) [132764-001](#) [1413235](#) [MP88X-1000](#) [MPS88RX-5000](#) [MRJR-5481-0F2](#) [E5288-S000K3-L](#) [E5908-15A242-L](#) [155302-001](#) [AX100653](#)