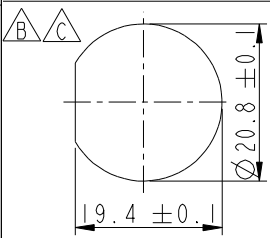
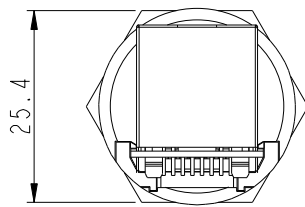
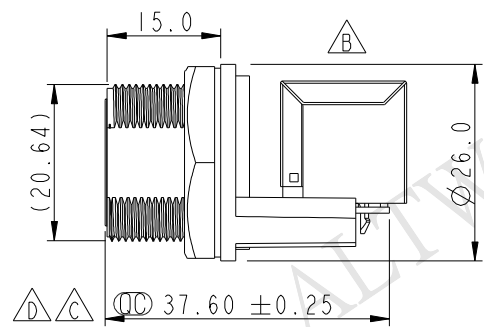
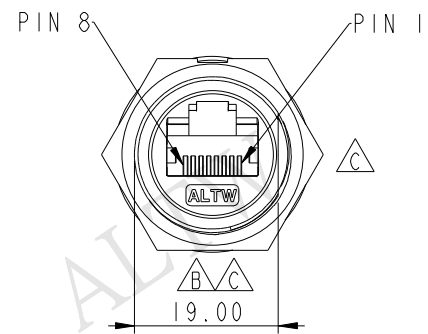
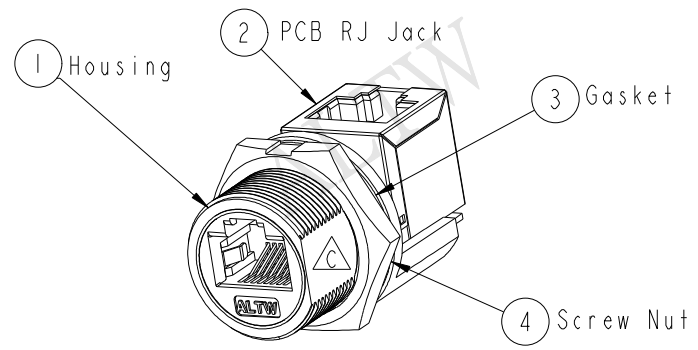
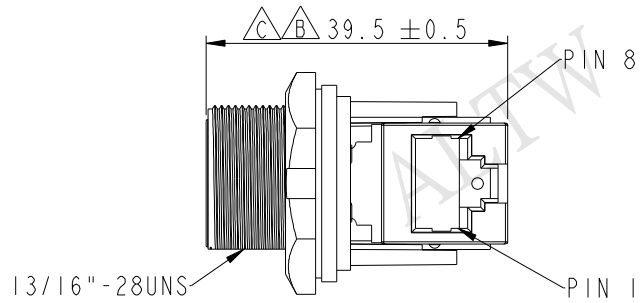
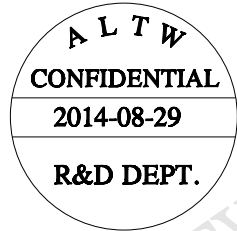


REV.	ECN NO.	DATE	SIGN	DESCRIPTION
C	LEN1440111	2014-04-10	Tom_gu	Change H Cut To D Cut
D		2014-8-29	Feng_Li	Change Size



Recommended Panel Cut-out Rear View



Note:

- * \varnothing Important Dimension
- * Waterproof Rate : IP67 Unmated
- * Housing : Nylon+GF,UL 94V-0,BLACK
- * Screw Nut : Nylon+GF,BLACK
- \triangle * Gasket : Silicone,UL 94V-0,Gray.
- * PCB: FR-4
- * Jack : PBT Polyester UL 94V-0
- \triangle * Use without Waterproof cap or Dust cap
For Panel Thickness Max: 4.2mm
- * Use with Waterproof cap or Dust cap
For Panel Thickness Max: 3.0mm
- \triangle * Screw torsion value range: 8~12kgf-cm

UNIT: mm		TITLE	RJ45,C SIZE,WATERPROOF		ITEM NO	RCP-5SPFFV-SCU7001	DRAWN BY	Feng_Li	DATE	2014-08-29
TOLERANCE	.X ±0.25	SCALE	1:1	SIZE A4	DWG NO	RCP-5SPFFV-SCU7001	CHECKED BY	Tom	DATE	2014-08-29
.XX ±0.1	.XXX ±0.05	REV.	D	WC-REV. C.2	CUSTOMER	ALTW	APPROVED BY	Victor	DATE	2014-08-29
ANGLES ±1°				\varnothing : Inspection item						

Amphenol LTW
安費諾亮泰企業股份有限公司

THIS DOCUMENT IS SUBJECT TO CHANGE WITHOUT NOTICE. IT IS CONFIDENTIAL AND A PROPERTY OF AMPHENOL LTW. DISCLOSURE TO THIRD PARTY HAS TO BE AUTHORIZED BY AMPHENOL LTW.

X-ON Electronics

Largest Supplier of Electrical and Electronic Components

Click to view similar products for [Modular Connectors](#) / [Ethernet Connectors](#) category:

Click to view products by [Amphenol](#) manufacturer:

Other Similar products are found below :

[8949-H88/06BLKA/SN](#) [74441-0010/BKN](#) [MP1010RX-1000](#) [MP44RX-1000](#) [PHJ-4P4C-1-V-4](#) [PHP-6P6C-5](#) [GAX-3-66](#) [GAX-8-62](#) [GDCX-PA-66-50](#) [GDCX-PN-64](#) [GDCX-PN-66](#) [GDCX-PN-66-50](#) [GDLX-A-66](#) [GDLX-N-66](#) [GDLX-S-66](#) [GDLX-S-88K](#) [GDTX-S-88-50](#) [GDX-PA-1010](#) [GLX-N-1010M-BLK](#) [GLX-S-88M-BLK](#) [GMX-N-1010](#) [GMX-S-1010](#) [GMX-S-66](#) [GMX-SMT4-N-88](#) [GPX-2-64](#) [GSGX-N-2-88](#) [GSGX-N-4-88](#) [GSX-NS2-88-3.05-50](#) [PT-108A-8C-UL](#) [PT-J951-8C](#) [PTS-J531-8CS-50UL](#) [1-1775629-2](#) [A-2014-0-4](#) [GWLX-S-88-GR](#) [GWLX-S9-88-YG](#) [DC-1021-8-WH-6](#) [1300530003](#) [1324640-4](#) [RJ11FTVC2G](#) [RJ11FTVC2N](#) [RJFTVX2SA1G](#) [132764-001](#) [1413235](#) [MP88X-1000](#) [MPS88RX-5000](#) [MRJR-5481-0F2](#) [E5288-S000K3-L](#) [E5908-15A242-L](#) [155302-001](#) [AX100653](#)