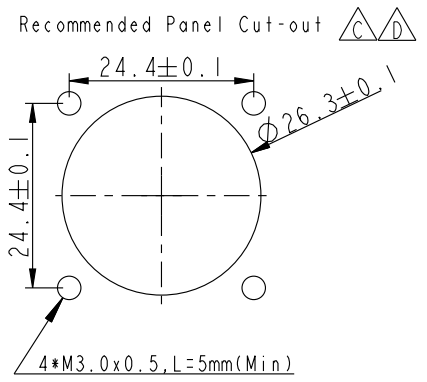
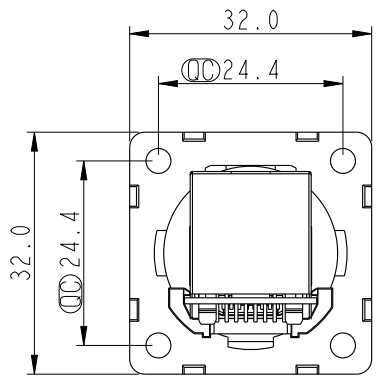
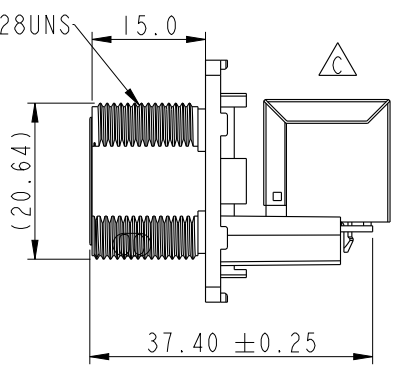
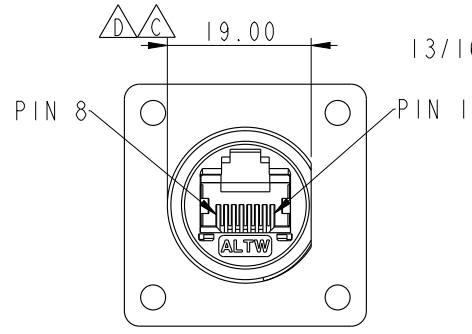
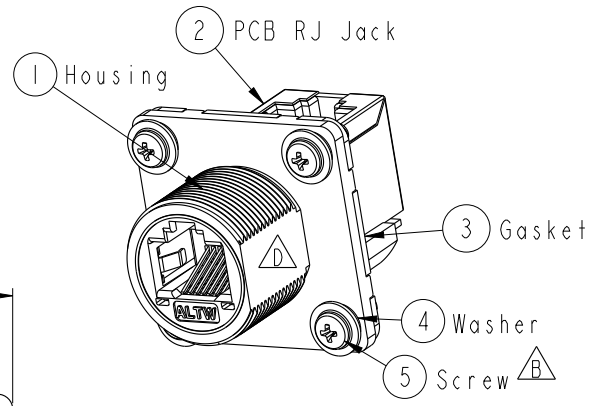
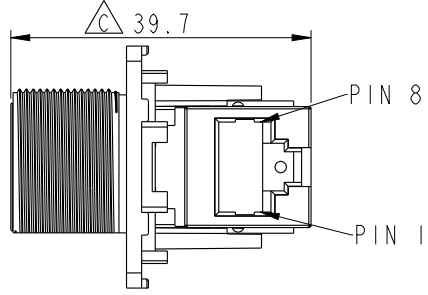


THIS DOCUMENT IS SUBJECT TO CHANGE WITHOUT NOTICE. IT IS CONFIDENTIAL AND A PROPERTY OF AMPHENOL LTW. DISCLOSURE TO THIRD PARTY HAS TO BE AUTHORIZED BY AMPHENOL LTW.

| REV. | ECN NO.    | DATE       | SIGN   | DESCRIPTION                     |
|------|------------|------------|--------|---------------------------------|
| B    | LENI360112 | 2013-06-14 | Cary   | Change Note & Panel Cut-out     |
| C    | LE313A0314 | 2013-10-07 | Raison | Modify Jack, Note, Screw, H Cut |
| D    | LE31480162 | 2014-07-14 | Tom    | Change D Cut, Gasket            |

**ALTW**  
**CONFIDENTIAL**  
 2014-07-14  
**R&D DEPT.**



Note:

- \*  $\varnothing$  Important Dimension
- \* Waterproof Rate : IP67 Mated
- \* Housing : Nylon+GF, BLACK
- \* Screw : S. STEEL, M3\*0.5 L=8.0
- \* Gasket : Silicone, Gray.
- \* PCB: FR-4
- \* Jack : PBT Polyester
- \* Screw torsion value range: 3~3.5kgf-cm
- \* Temperature Range: -40°C to 105°C

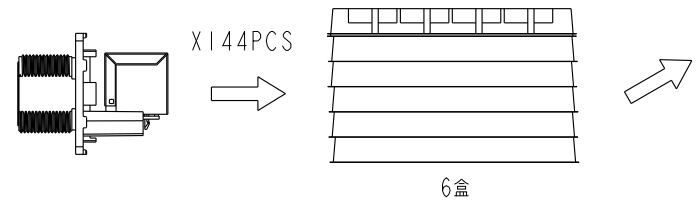
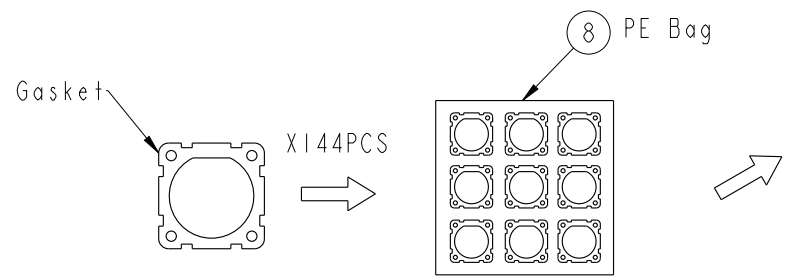
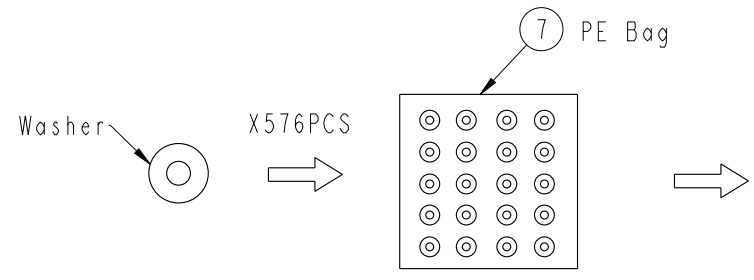
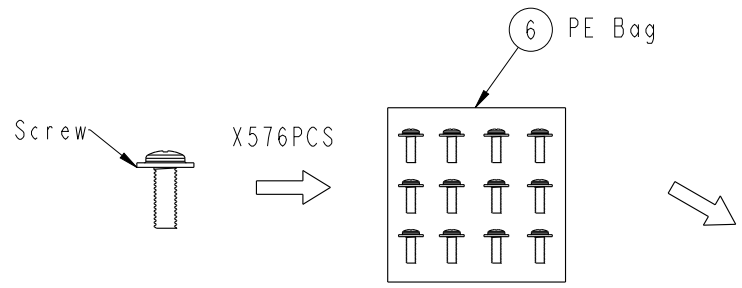
|   |                |                 |  |
|---|----------------|-----------------|--|
| UNIT : mm   |                |                 | TITLE<br>RJ45, C SIZE, MATED WATERPROOF SQUARE |
| TOLERANCE<br>.X ±0.25<br>.XX ±0.1<br>.XXX ±0.05<br>ANGLES ±1° | SCALE<br>1:1   | SIZE<br>A4      | SHEET<br>1 OF 2                                |
| REV.<br>D   | WC-REV.<br>C.2 | Inspection item |  |

**Amphenol LTW**  
 安費諾亮泰企業股份有限公司

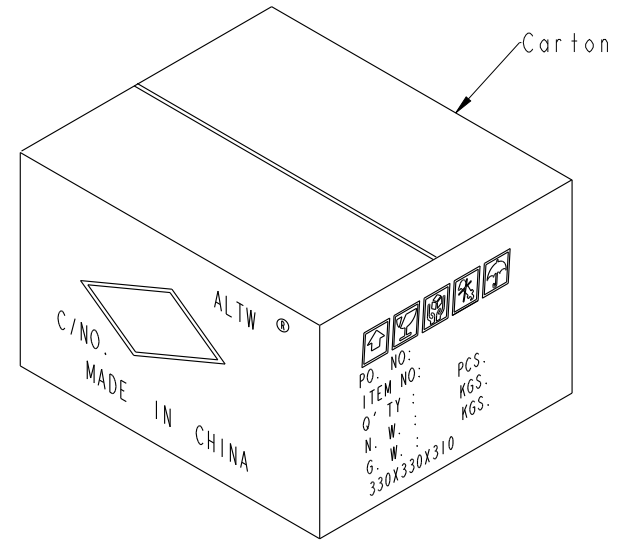
|                               |                       |                    |
|-------------------------------|-----------------------|--------------------|
| ITEM NO<br>RCP-5SPFFV-SSM7001 | DRAWN BY<br>Tom       | DATE<br>2014-07-14 |
| DWG NO<br>RCP-5SPFFV-SSM7001  | CHECKED BY<br>Ludi    | DATE<br>2014-07-14 |
| CUSTOMER<br>ALTW              | APPROVED BY<br>Victor | DATE<br>2014-07-14 |

THIS DOCUMENT IS SUBJECT TO CHANGE WITHOUT NOTICE. IT IS CONFIDENTIAL AND A PROPERTY OF Amphenol LTW. DISCLOSURE TO THIRD PARTY HAS TO BE AUTHORIZED BY Amphenol LTW.

Packing



**ALTW**  
**CONFIDENTIAL**  
 2014-07-14  
**R&D DEPT.**



Note:  
 \* Important Dimension  
 \* 1PCS產品配1PCS Gasket, 4PCS Washer, 4PCS Screw  
 \* 配件的出貨數量參考實際產品出貨數量

|            |  |  |             |
|------------|--|--|-------------|
| UNIT: mm   |  | TITLE<br>RJ45,C SIZE,MATED WATERPROOF SQUARE |             |
| TOLERANCE  |  | SCALE  | SHEET       |
| .X ±0.25   |  | 1:1  | 2 OF 2      |
| .XX ±0.1   |  | REV. D                                       | WC-REV. C.2 |
| .XXX ±0.05 |  | ◎: Inspection item                           |             |
| ANGLES ±1° |  |  |             |

**Amphenol LTW**  
 安費諾亮泰企業股份有限公司

|          |                    |             |        |      |            |
|----------|--------------------|-------------|--------|------|------------|
| ITEM NO  | RCP-5SPFFV-SSM7001 | DRAWN BY    | Tom    | DATE | 2014-07-14 |
| DWG NO   | RCP-5SPFFV-SSM7001 | CHECKED BY  | Ludi   | DATE | 2014-07-14 |
| CUSTOMER | ALTW               | APPROVED BY | Victor | DATE | 2014-07-14 |

## X-ON Electronics

Largest Supplier of Electrical and Electronic Components

*Click to view similar products for [Modular Connectors](#) / [Ethernet Connectors](#) category:*

*Click to view products by [Amphenol](#) manufacturer:*

Other Similar products are found below :

[8949-H88/06BLKA/SN](#) [74441-0010/BKN](#) [PHP-6P6C-5](#) [GAX-3-66](#) [GAX-8-62](#) [GDCX-PN-66](#) [GLX-A-44](#) [GLX-N-1010M-BLK](#) [GMX-SMT4-N-88](#) [GSGX-N-2-88](#) [GSGX-N-4-88](#) [GSX-NS2-88-3.05](#) [GSX-NS-88-3.68](#) [PT-108A-8C-UL](#) [PTS-J531-8CS-50UL](#) [A-2014-0-4](#)  
[GWLX-S9-88-YG](#) [DC-1021-8-WH-6](#) [1300530003](#) [1324640-4](#) [RJ11FTVC2G](#) [RJ11FTVC2N](#) [RJFTVX2SA1G](#) [132764-001](#) [1413235](#)  
[MPS88RX-5000](#) [E5288-S000K3-L](#) [155302-001](#) [AX101050](#) [AX101063](#) [AX101065](#) [AX101072](#) [AX101307](#) [AX101315](#) [AX101318](#)  
[AX102271](#) [AX102288](#) [AX102651](#) [AX102660](#) [AX104024](#) [J0012D21NL](#) [J0026D01ENL](#) [PC4D0018P](#) [8949-B88/6](#) [2-6609208-5](#) [303066VFL](#)  
[303068V](#) [303088LFLSA](#) [303088SBL](#) [30-8603](#)