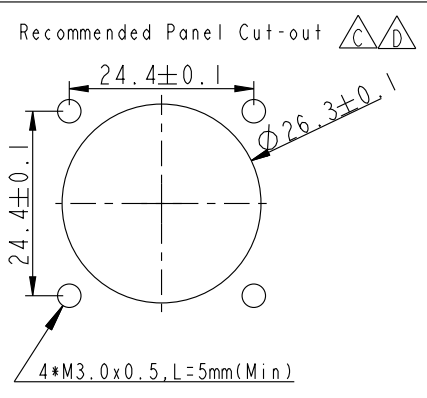
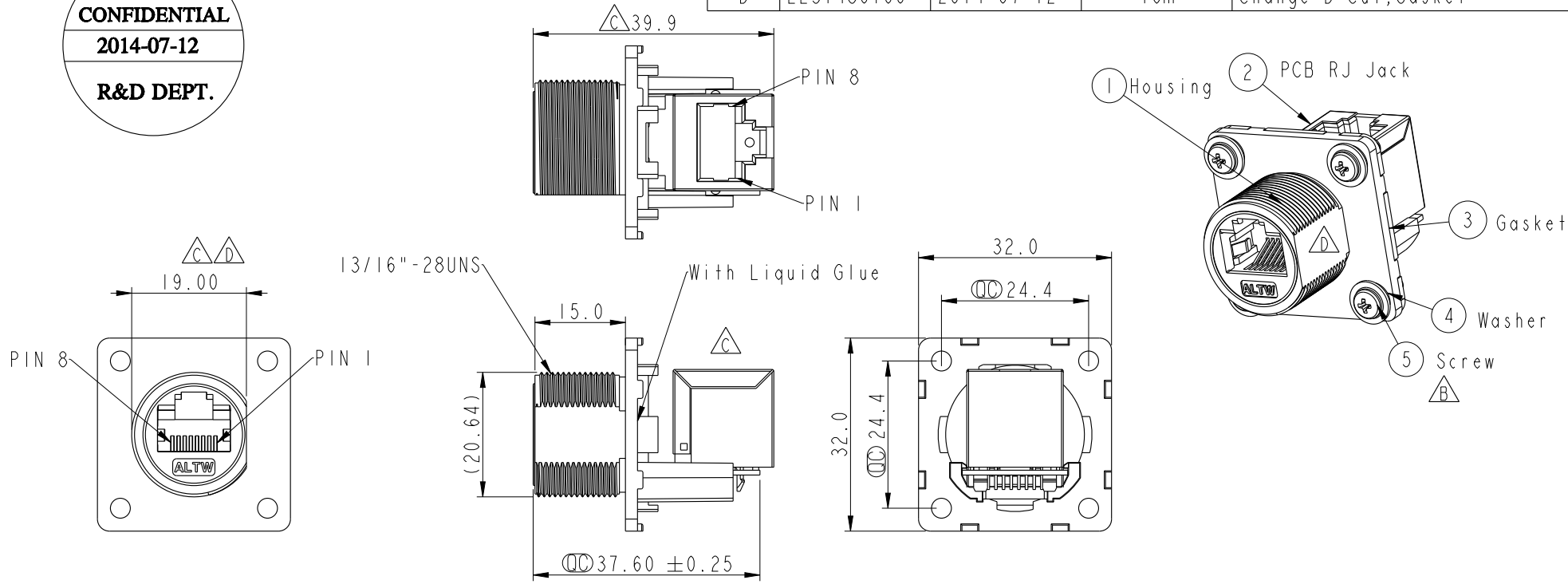


ALTW
CONFIDENTIAL
2014-07-12
R&D DEPT.

REV.	ECN NO.	DATE	SIGN	DESCRIPTION
B	LENI360108	2013-06-14	Cary	Change Note & Panel Cut-out
C	LE3I3A0312	2013-09-07	Raison	Modify Jack, Note, Screw, H Cut
D	LE3I480160	2014-07-12	Tom	Change D Cut, Gasket

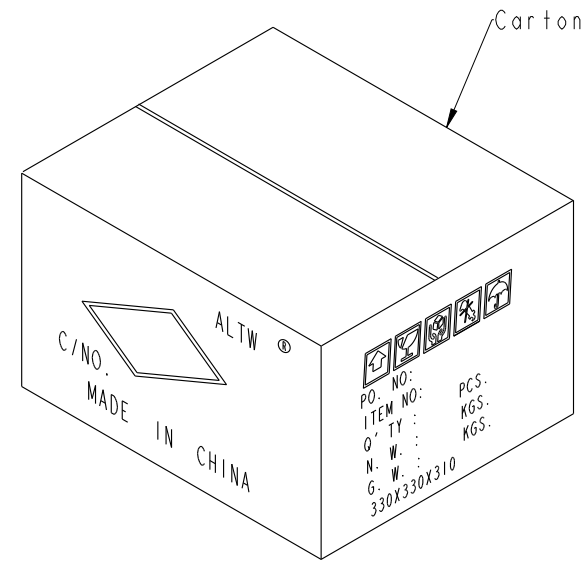
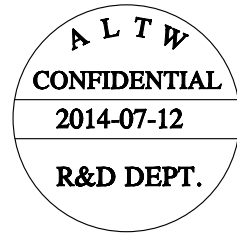
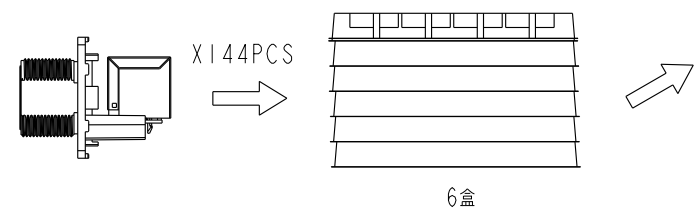
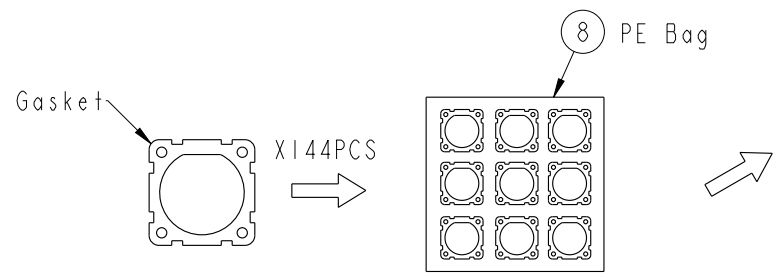
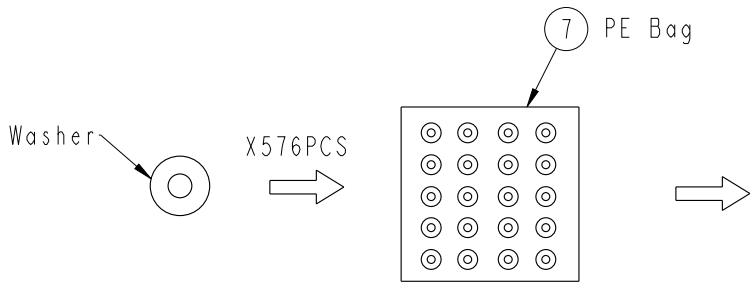
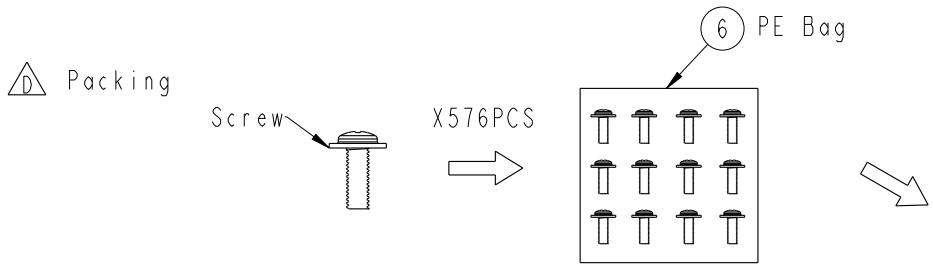


- Note:
- * \varnothing Important Dimension
 - * Waterproof Rate : IP67 Unmated
 - * Housing : Nylon+GF, BLACK
 - * Screw : S. STEEL, M3*0.5 L=8.0
 - * Gasket : Silicone, Gray.
 - * PCB: FR-4
 - * Jack : PBT Polyester
 - * Screw torsion value range: 3~3.5kgf-cm
 - * Temperature Range: -40°C to 105°C

UNIT : mm 	TITLE RJ45, C SIZE, UNMATED WATERPROOF SQUARE		Amphenol LTW 安費諾亮泰企業股份有限公司	ITEM NO RCP-5SPFFV-SSU7001	DRAWN BY Tom	DATE 2014-07-12
	TOLERANCE .X ±0.25 .XX ±0.1 .XXX ±0.05 ANGLES ±1°	SCALE 1:1		SIZE A4	SHEET OF 1 OF 2	DWG NO RCP-5SPFFV-SSU7001
	REV. D	WC-REV. C.2	\varnothing : Inspection item	CUSTOMER ALTW	APPROVED BY Victor	DATE 2014-07-12

THIS DOCUMENT IS SUBJECT TO CHANGE WITHOUT NOTICE. IT IS CONFIDENTIAL AND A PROPERTY OF Amphenol LTW. DISCLOSURE TO THIRD PARTY HAS TO BE AUTHORIZED BY Amphenol LTW.

THIS DOCUMENT IS SUBJECT TO CHANGE WITHOUT NOTICE. IT IS CONFIDENTIAL AND A PROPERTY OF Amphenol LTW. DISCLOSURE TO THIRD PARTY HAS TO BE AUTHORIZED BY Amphenol LTW.



Note:
 * Important Dimension
 * IPCS產品配IPCS Gasket, 4PCS Washer, 4PCS Screw
 * 配件的出貨數量參考實際產品出貨數量

UNIT: mm		
TOLERANCE	.X ±0.25	
	.XX ±0.1	
	.XXX ±0.05	
ANGLES	±1°	

TITLE RJ45, C SIZE, UNMATED WATERPROOF SQUARE			
SCALE	1:1	SIZE	A4
		SHEET	2 OF 2
REV.	D	WC-REV.	C.2
			Inspection item

Amphenol LTW
 安費諾亮泰企業股份有限公司

ITEM NO.	RCP-5SPFFV-SSU7001	DRAWN BY	Tom	DATE	2014-07-12
DWG NO.	RCP-5SPFFV-SSU7001	CHECKED BY	Ludi	DATE	2014-07-12
CUSTOMER	ALTW	APPROVED BY	Victor	DATE	2014-07-12

X-ON Electronics

Largest Supplier of Electrical and Electronic Components

Click to view similar products for [Modular Connectors](#) / [Ethernet Connectors](#) category:

Click to view products by [Amphenol](#) manufacturer:

Other Similar products are found below :

[8949-H88/06BLKA/SN](#) [74441-0010/BKN](#) [MP1010RX-1000](#) [MP44RX-1000](#) [PHJ-4P4C-1-V-4](#) [PHP-6P6C-5](#) [GAX-3-66](#) [GAX-8-62](#) [GDCX-PA-66-50](#) [GDCX-PN-64](#) [GDCX-PN-66](#) [GDCX-PN-66-50](#) [GDLX-A-66](#) [GDLX-N-66](#) [GDLX-S-66](#) [GDLX-S-88K](#) [GDTX-S-88-50](#) [GDX-PA-1010](#) [GLX-N-1010M-BLK](#) [GLX-S-88M-BLK](#) [GMX-N-1010](#) [GMX-S-1010](#) [GMX-S-66](#) [GMX-SMT4-N-88](#) [GPX-2-64](#) [GSGX-N-2-88](#) [GSGX-N-4-88](#) [GSX-NS2-88-3.05-50](#) [PT-108A-8C-UL](#) [PT-J951-8C](#) [PTS-J531-8CS-50UL](#) [1-1775629-2](#) [A-2014-0-4](#) [GWLX-S-88-GR](#) [GWLX-S9-88-YG](#) [DC-1021-8-WH-6](#) [1300530003](#) [1324640-4](#) [RJ11FTVC2G](#) [RJ11FTVC2N](#) [RJFTVX2SA1G](#) [132764-001](#) [1413235](#) [MP88X-1000](#) [MPS88RX-5000](#) [MRJR-5481-0F2](#) [E5288-S000K3-L](#) [E5908-15A242-L](#) [155302-001](#) [AX100653](#)