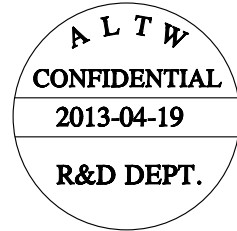
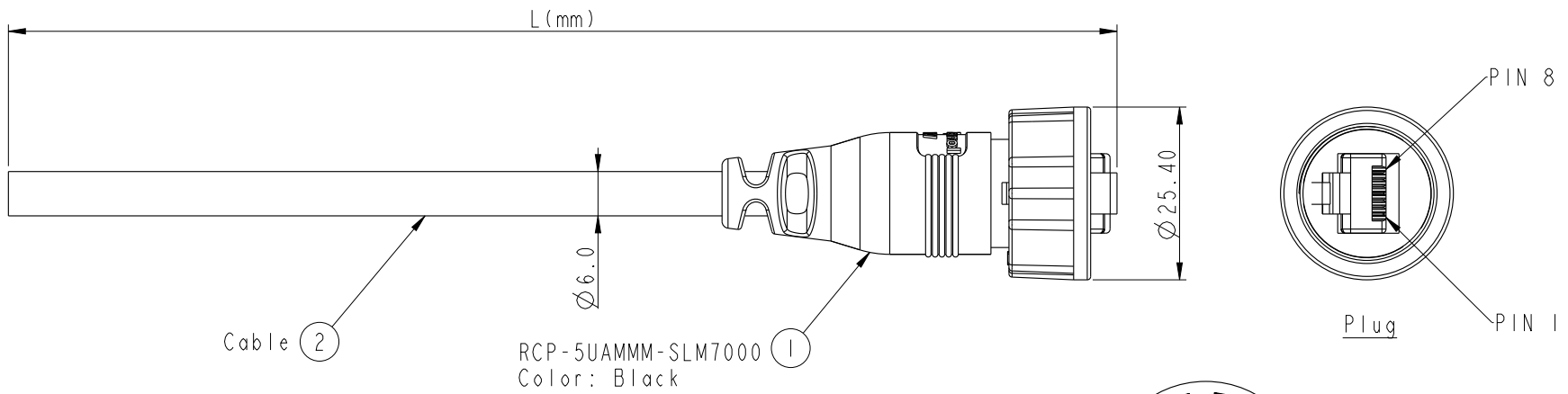


THIS DOCUMENT IS SUBJECT TO CHANGE WITHOUT NOTICE. IT IS CONFIDENTIAL AND A PROPERTY OF Amphenol LTW. DISCLOSURE TO THIRD PARTY HAS TO BE AUTHORIZED BY Amphenol LTW.

REV.	ECN NO.	DATE	SIGN	DESCRIPTION



Pin Out		Plug
Wire Color		
Drain Wire	接地	
Brown	棕	8
Brown/white	棕/白	7
Green	綠	6
Blue/white	藍/白	5
Blue	藍	4
Green/white	綠/白	3
Orange	橙	2
Orange/white	橙/白	1

RCP-5UAMMM-SLM7AXX

XX: 01~99Meter
 01: 01Meter
 02: 02Meters
 ...
 99: 99Meters

Cable Length(L):01~99Meters

X:
 (A)CAT5E UTP

Note:

- * (C) Important Dimension
- * Waterproof Rate:IP67.
- * Plug:PC,UL94V-2,Gold Plated,
- * Screw Nut:Nylon+GF,Black.
- * Gasket:EPDM,Black.
- * Cable: (A)CAT5E UTP,OD Max.:Ø6.0,Black.
- * Cable Length Tolerance:
 - 01M:±40mm
 - 02~05M:±60mm
 - 06~10M:±100mm
 - 11~30M:±200mm
 - 30~99M:±500mm

UNIT:mm			TITLE RJ45,C SIZE CABLE 3P_LOCK 5E M CONN M PIN
TOLERANCE .X ±0.25 .XX ±0.1 .XXX ±0.05 ANGLES ±1°	SCALE 1:1	SIZE A4	SHEET 1 OF 1
REV. A	WC-REV. A.16	QC: Inspection item	

Amphenol LTW
 安費諾亮泰企業股份有限公司

ITEM NO	DRAWN BY Laurence_zang	DATE 2013-04-19
DWG NO RCP-5UAMMM-SLM7AXX	CHECKED BY RAISON	DATE 2013-04-19
CUSTOMER ALTW	APPROVED BY VICTOR	DATE 2013-04-19

X-ON Electronics

Largest Supplier of Electrical and Electronic Components

Click to view similar products for [Ethernet Cables / Networking Cables](#) category:

Click to view products by [Amphenol](#) manufacturer:

Other Similar products are found below :

[73-6670-7](#) [73-6680-15](#) [73-7797-25](#) [MCJB2-10P6Q7-120](#) [84909-0204](#) [1200700174](#) [1200860368](#) [E16A06002M030](#) [E200102-009-S1](#)
[AX105346-EW](#) [MT14-187L](#) [17-103530](#) [ERWPAB3002M005](#) [190-038045-01](#) [NK5EPC18RDY](#) [NK5EPC18VLY](#) [NK5EPC18YLY](#)
[NK5EPC1GRY](#) [NK5EPC4Y](#) [NK5EPC6YLY](#) [NK5EPC8BLY](#) [NK5EPC9YLY](#) [1969343-6](#) [C501100010](#) [C501106002](#) [C501106007](#)
[C501106015](#) [C501106025](#) [C601102010](#) [C601104010](#) [C601106007](#) [C601106015](#) [2142758-2](#) [2168427-2](#) [CAT1106007](#) [SR02P0-26E5-15.0](#)
[SR02S0-26E5-15.0](#) [21949-1](#) [2J1866A](#) [RJF SFTP 5E 0500](#) [AX100351](#) [MN14CEC/ST](#) [C501100015](#) [C501106004](#) [C501106010](#) [C5F1108007](#)
[C601104004](#) [C601106004](#) [CA21106004](#) [CA21106010](#)