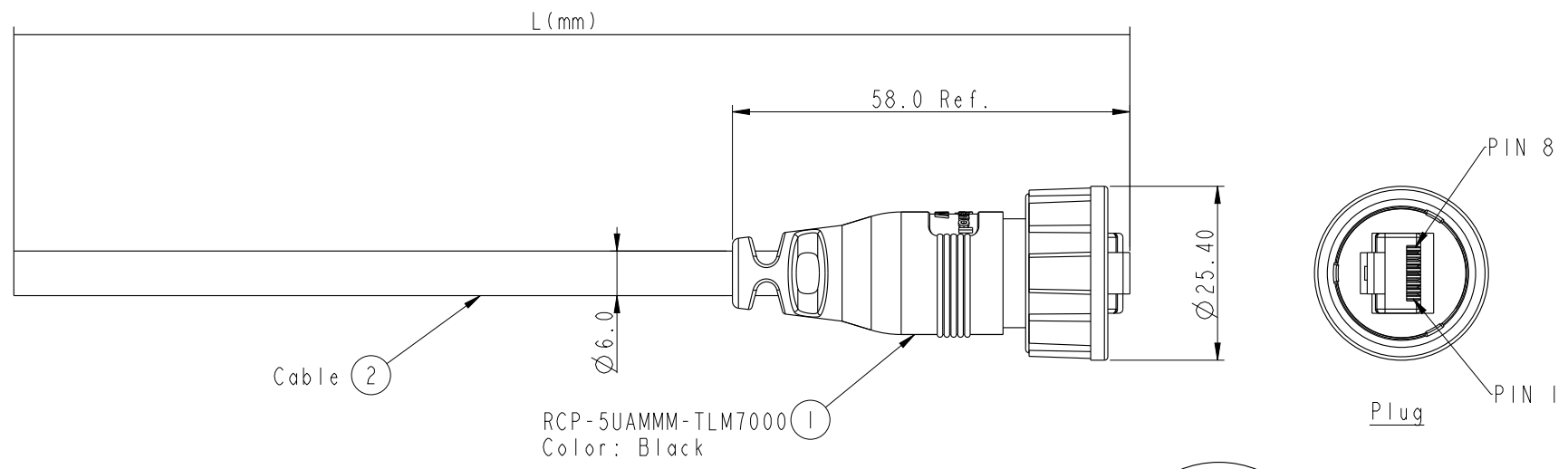


THIS DOCUMENT IS SUBJECT TO CHANGE WITHOUT NOTICE. IT IS CONFIDENTIAL AND A PROPERTY OF Amphenol LTW. DISCLOSURE TO THIRD PARTY HAS TO BE AUTHORIZED BY Amphenol LTW.

REV.	ECN NO.	DATE	SIGN	DESCRIPTION



Pin Out		
Wire Color		Plug
Drain Wire	接地	
Brown	棕	8
Brown/white	棕白	7
Green	綠	6
Blue/white	藍白	5
Blue	藍	4
Green/white	綠白	3
Orange	橙	2
Orange/white	橙白	1

RCP-5UAMMM-TLM7AXX

XX: 01~99Meter
 01: 01Meter
 02: 02Meters
 :
 :
 99: 99Meters
 Cable Length(L):01~99Meters

X:
 (A)CAT5E UTP

Note:

- * \varnothing Important Dimension
- * Waterproof Rate: IP67.
- * Plug: PC, UL94V-2, Gold Plated,
- * Lock Nut: Nylon+GF, Black.
- * Gasket: EPDM, Black.
- * Cable: (A)CAT5E UTP, OD Max.: \varnothing 6.0, Black.
- * Cable Length Tolerance: 01M: \pm 40mm
 02~05M: \pm 60mm
 06~10M: \pm 100mm
 11~30M: \pm 200mm
 30~99M: \pm 500mm

UNIT: mm			TITLE RJ45, C SIZE CABLE 3P_LOCK 5E M CONN M PIN
TOLERANCE .X \pm 0.25 .XX \pm 0.1 .XXX \pm 0.05 ANGLES \pm 1°	SCALE 1:1	SIZE A4	SHEET 1 OF 1
REV. A	WC-REV. A.11	\varnothing : Inspection item	

Amphenol LTW
 安費諾亮泰企業股份有限公司

ITEM NO	DRAWN BY Laurence_zang	DATE 2013-04-20
DWG NO RCP-5UAMMM-TLM7AXX	CHECKED BY RAISON	DATE 2013-04-20
CUSTOMER ALTW	APPROVED BY VICTOR	DATE 2013-04-20

X-ON Electronics

Largest Supplier of Electrical and Electronic Components

Click to view similar products for [Ethernet Cables / Networking Cables](#) category:

Click to view products by [Amphenol](#) manufacturer:

Other Similar products are found below :

[73-6670-7](#) [73-6680-15](#) [73-7797-25](#) [MCJB2-10P6Q7-120](#) [84909-0204](#) [1200700174](#) [1200860368](#) [E16A06002M030](#) [E200102-009-S1](#)
[AX105346-EW](#) [MT14-187L](#) [17-103530](#) [ERWPAB3002M005](#) [190-038045-01](#) [NK5EPC18RDY](#) [NK5EPC18VLY](#) [NK5EPC18YLY](#)
[NK5EPC1GRY](#) [NK5EPC4Y](#) [NK5EPC6YLY](#) [NK5EPC8BLY](#) [NK5EPC9YLY](#) [1969343-6](#) [C501100010](#) [C501106002](#) [C501106007](#)
[C501106015](#) [C501106025](#) [C601102010](#) [C601104010](#) [C601106007](#) [C601106015](#) [2142758-2](#) [2168427-2](#) [CAT1106007](#) [21949-1](#) [2J1866A](#)
[RJF SFTP 5E 0500](#) [AX100351](#) [MN14CEC/ST](#) [C501100015](#) [C501106004](#) [C501106010](#) [C5F1108007](#) [C601104004](#) [C601106004](#)
[CA21106004](#) [CA21106010](#) [CA21106015](#) [CA21109007](#)