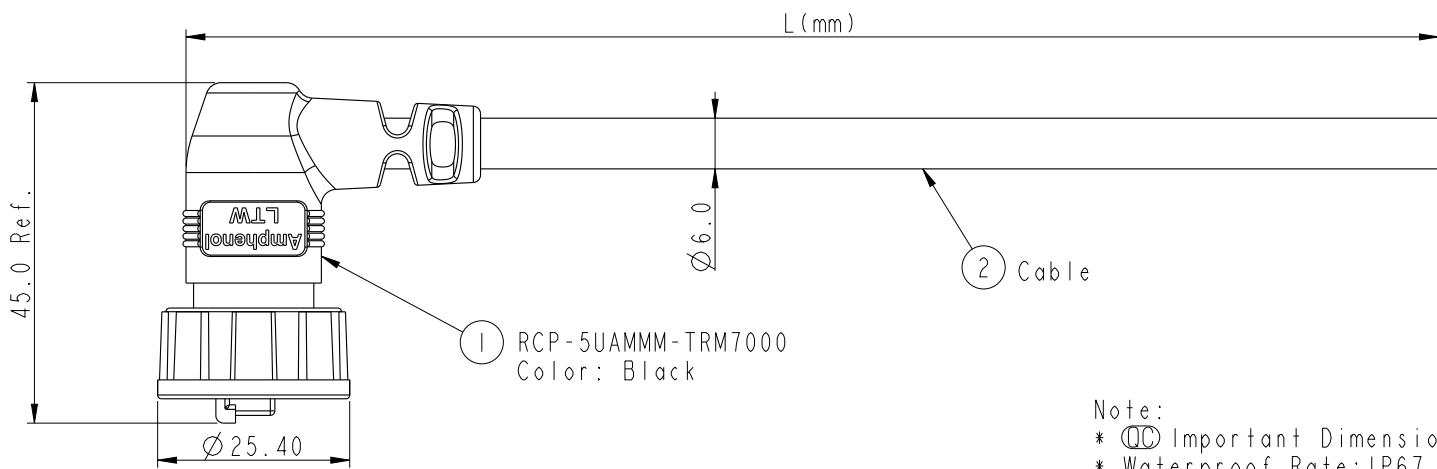


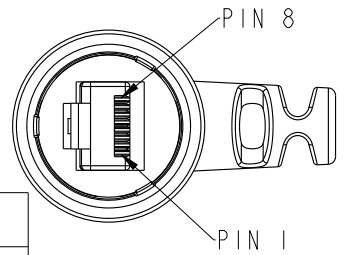
THIS DOCUMENT IS SUBJECT TO CHANGE WITHOUT NOTICE. IT IS CONFIDENTIAL AND A PROPERTY OF AMPHENOL LTW. DISCLOSURE TO THIRD PARTY HAS TO BE AUTHORIZED BY AMPHENOL LTW.

REV.	ECN NO.	DATE	SIGN	DESCRIPTION



① RCP-5UAMMM-TRM7000
Color: Black

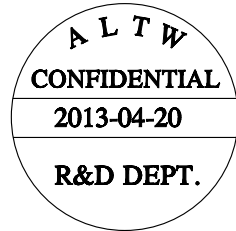
- Note:
- * Ⓞ Important Dimension
 - * Waterproof Rate: IP67.
 - * Plug: PC, UL94V-2, Gold Plated,
 - * Lock Nut: Nylon+GF, Black.
 - * Gasket: EPDM, Black.
 - * Cable: (A)CAT5E UTP, OD Max.: Ø 6.0, Black.
 - * Cable Length Tolerance:
 - 01M: ±40mm
 - 02~05M: ±60mm
 - 06~10M: ±100mm
 - 11~30M: ±200mm
 - 30~99M: ±500mm



RCP-5UAMMM-TRM7AXX

XX: 01~99Meter
01: 01Meter
02: 02Meters
:
:
99: 99Meters
Cable Length(L):01~99Meters

X:
(A)CAT5E UTP



Pin Out

Wire Color	Plug
Drain Wire	接地
Brown	棕 8
Brown/white	棕白 7
Green	綠 6
Blue/white	藍白 5
Blue	藍 4
Green/white	綠白 3
Orange	橙 2
Orange/white	橙白 1

Twist 對絞
Twist 對絞
Twist 對絞

UNIT:mm		
TOLERANCE	±0.25	±0.1
.X	±0.1	±0.05
.XX	±0.05	±1°
.XXX	±1°	
ANGLES		

TITLE RJ45,C SIZE,RIGHT ANGLE CABLE 3P_LOCK 5E M CONN M PIN			
SCALE 1:1	SIZE A4	SHEET 1 OF 1	
REV. A	WC-REV. A.10	Ⓞ: Inspection item	

Amphenol LTW
安費諾亮泰企業股份有限公司

ITEM NO	DRAWN BY Laurence_zang	DATE 2013-04-20
DWG NO RCP-5UAMMM-TRM7AXX	CHECKED BY RAISON	DATE 2013-04-20
CUSTOMER ALTW	APPROVED BY VICTOR	DATE 2013-04-20

X-ON Electronics

Largest Supplier of Electrical and Electronic Components

Click to view similar products for [Ethernet Cables / Networking Cables](#) category:

Click to view products by [Amphenol](#) manufacturer:

Other Similar products are found below :

[73-6670-7](#) [73-6680-15](#) [73-7797-25](#) [MCJB2-10P6Q7-120](#) [84909-0204](#) [1200700174](#) [1200860368](#) [E16A06002M030](#) [E200102-009-S1](#)
[AX105346-EW](#) [MT14-187L](#) [17-103530](#) [ERWPAB3002M005](#) [190-038045-01](#) [NK5EPC18RDY](#) [NK5EPC18VLY](#) [NK5EPC18YLY](#)
[NK5EPC1GRY](#) [NK5EPC4Y](#) [NK5EPC6YLY](#) [NK5EPC8BLY](#) [NK5EPC9YLY](#) [1969343-6](#) [C501100010](#) [C501106002](#) [C501106007](#)
[C501106015](#) [C501106025](#) [C601102010](#) [C601104010](#) [C601106007](#) [C601106015](#) [2142758-2](#) [2168427-2](#) [CAT1106007](#) [SR02P0-26E5-15.0](#)
[SR02S0-26E5-15.0](#) [21949-1](#) [2J1866A](#) [RJF SFTP 5E 0500](#) [AX100351](#) [MN14CEC/ST](#) [C501100015](#) [C501106004](#) [C501106010](#) [C5F1108007](#)
[C601104004](#) [C601106004](#) [CA21106004](#) [CA21106010](#)